

1 1/8" GRIDLINE WITH DEEP PIT FRAME AND HIDDEN LOCK DOWNS

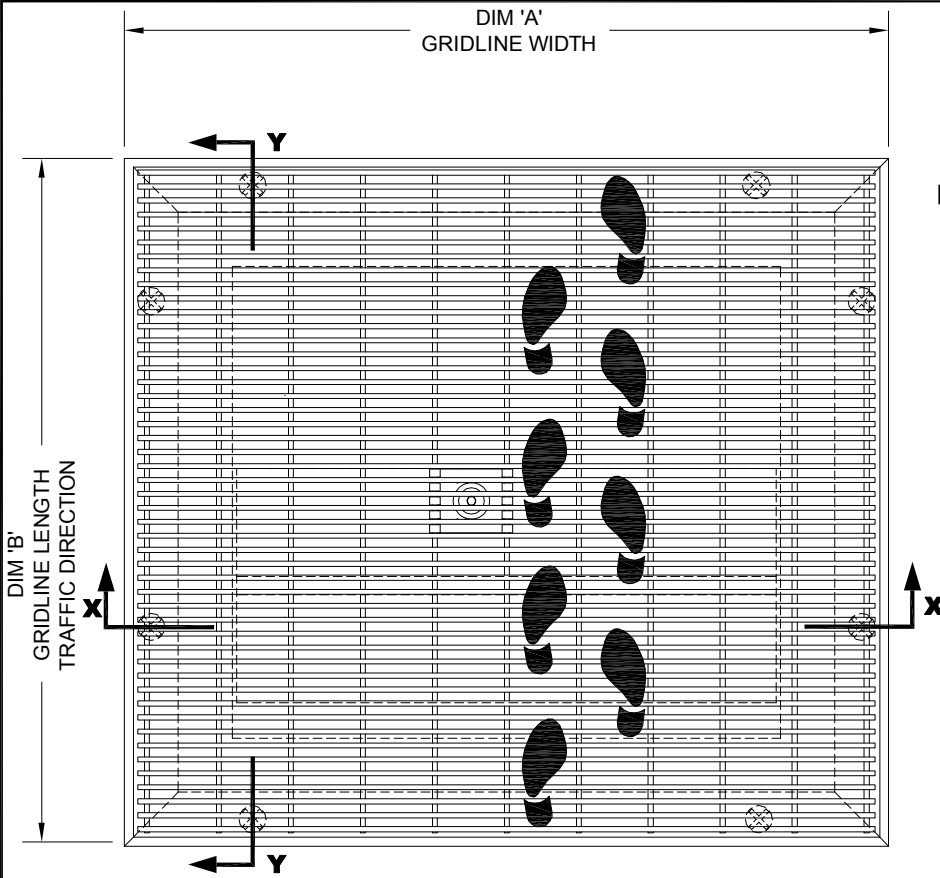
INSERT STYLE: N/A

INSERT COLOR: N/A

CATALOG NUMBER: G6

PART NUMBER:

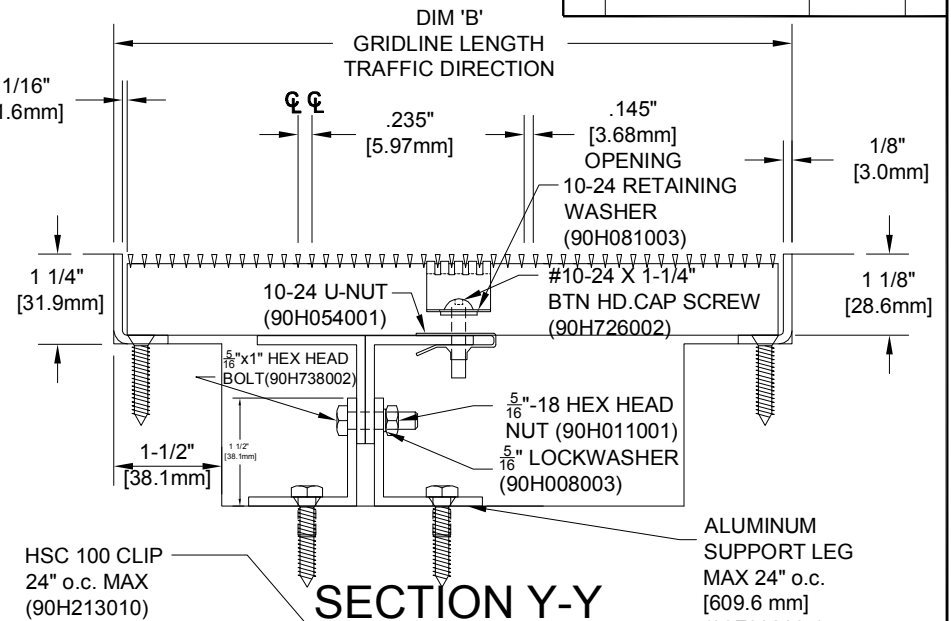
NO.	REVISION	DATE	BY
NO.	F&F RELEASE	DATE	BY



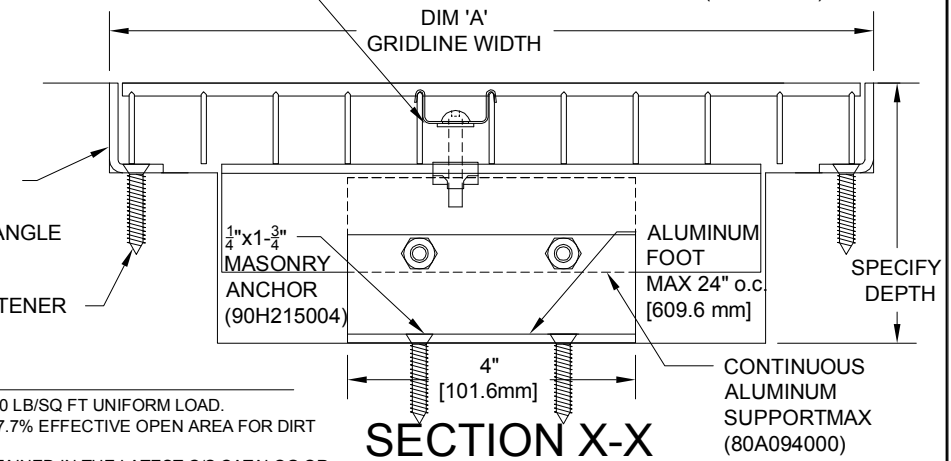
TYPICAL PLAN VIEW

DEEP PIT FRAME  
1 1/4" X 3/4" X 1/8"  
STAINLESS STEEL ANGLE  
(16S001000)

MASONRY LAG FASTENER  
(90H066004)  
24" (609.6mm) O.C.



SECTION Y-Y



SECTION X-X

NOTES:

\*MAX. SINGLE GRID SIZE NOT TO EXCEED 8'-0" [2.438M] IN WIDTH (DIM 'A') OR 4'-0" [1.22M] IN LENGTH (DIM 'B')

\*ALL SURFACE WIRES AND SUPPORT BARS ARE ELECTRONICALLY RESISTANCE WELDED TO ENSURE CORRECT WEIGHT BEARING PROPERTIES.

\*GRIDS SHALL BE ABLE TO SUPPORT A 300 LB/SQ FT UNIFORM LOAD.

\* SURFACE WIRE SPACING PROVIDES A 57.7% EFFECTIVE OPEN AREA FOR DIRT AND MOISTURE REMOVAL.

\*\*ADDITIONAL SPECIFICATIONS ARE CONTAINED IN THE LATEST C/S CATALOG OR AT C-SGROUP.COM AND ARE CONSIDERED PART OF THIS TRANSMITTAL.

**CS Construction Specialties™**  
6806 Route 405 Highway, Muncy PA 17756  
(800) 233-6493 · Fax: (570) 546-4892 · www.c-sgroup.com

QTY	MARK #	LOCATION	MODEL	DIM 'A' WIDTH	DIM 'B' LENGTH	FRAME FINISH	REMARKS

PROJECT:	
LOCATION:	
CONTRACTOR:	
AGENT:	
DRG. BY:	
DATE:	
SHT:	
JOB NO.:	

PLEASE VERIFY ALL