

5/8" GRIDLINE WITH DEEP PIT FRAME WITH PAN AND HIDDEN LOCK DOWNS

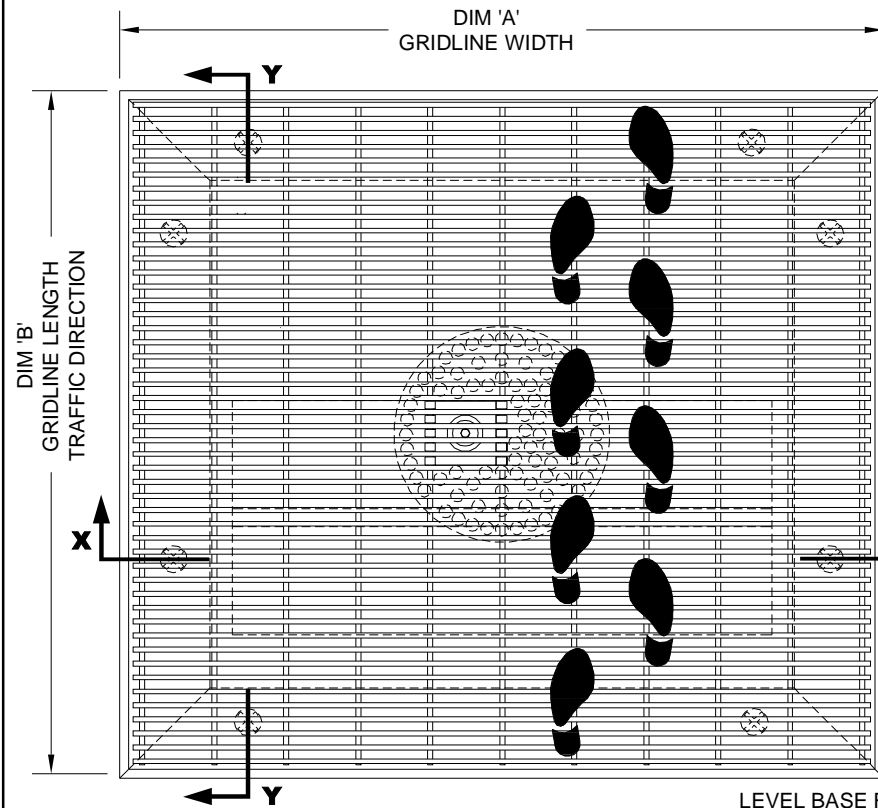
INSERT STYLE: N/A

INSERT COLOR: N/A

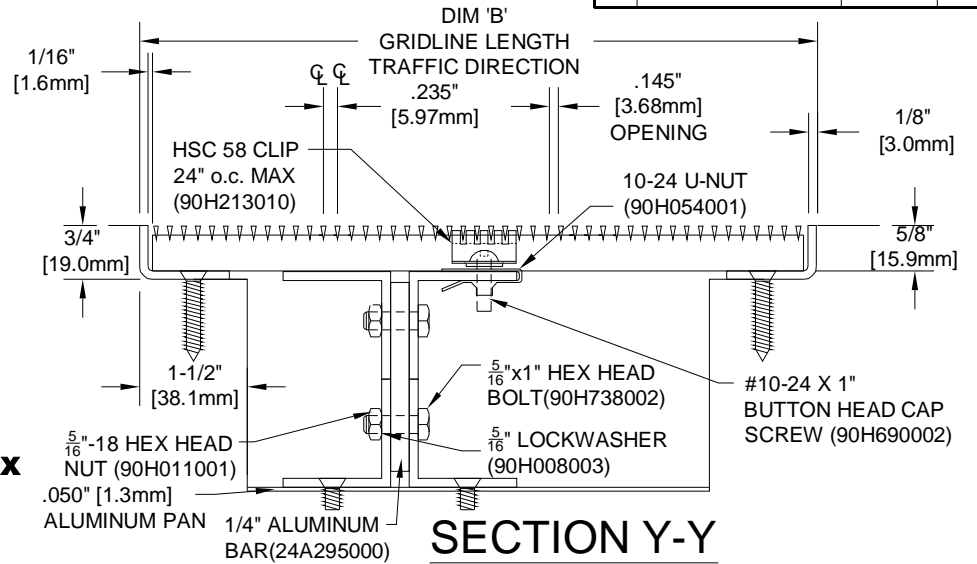
CATALOG NUMBER: G6

PART NUMBER:

| | | | |
|-----|-------------|------|----|
| NO. | REVISION | DATE | BY |
| NO. | F&F RELEASE | DATE | BY |



TYPICAL PLAN VIEW



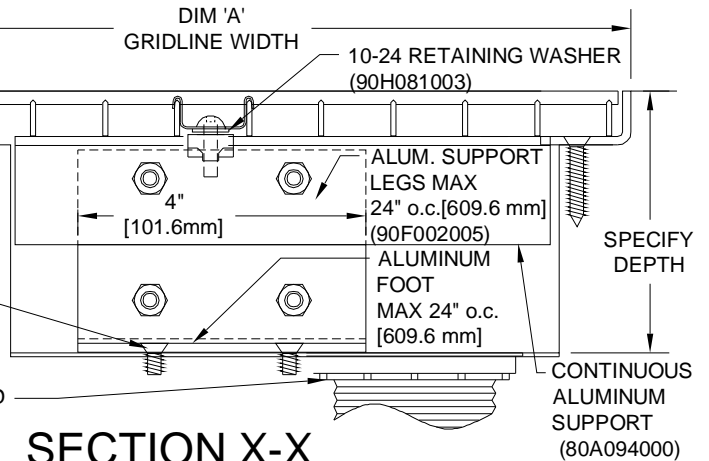
SECTION Y-Y

LEVEL BASE FRAME
1 1/4" X 3/4" X 1/8"
STAINLESS STEEL ANGLE
(16S001000)

MASONRY LAG FASTENER
(90H066004)
24" (609.6mm) O.C.

1/4"x1-3/4" MASONRY
ANCHOR (90H215004)

CONTRACTOR INSTALLED
GENERAL PURPOSE
PVC DRAIN WITH S/S
STRAINER FURNISHED BY
C/S.



SECTION X-X

NOTES:

*MAX. SINGLE GRID SIZE NOT TO EXCEED 8'-0"
[2.438M] IN WIDTH (DIM 'A') OR 4'-0" [1.22M] IN
LENGTH (DIM 'B')

*ALL SURFACE WIRES AND SUPPORT BARS ARE ELECTRONICALLY
RESISTANCE WELDED TO

ENSURE CORRECT WEIGHT BEARING PROPERTIES.

*GRIDS SHALL BE ABLE TO SUPPORT A 300LB ROLLING LOAD.

* SURFACE WIRE SPACING PROVIDES A 57.7% EFFECTIVE OPEN AREA FOR DIRT
AND MOISTURE REMOVAL.
**ADDITIONAL SPECIFICATIONS ARE CONTAINED IN THE LATEST C/S CATALOG OR
AT C-SGROUP.COM AND ARE CONSIDERED PART OF THIS TRANSMITTAL.

CS Construction Specialties
6696 Route 405 Highway, Murry PA 17766
(800) 233-8493 • Fax (570) 546-4692 www.c-sgroup.com

| PLEASE VERIFY ALL | QTY | MARK # | LOCATION | MODEL | DIM 'A' WIDTH | DIM 'B' LENGTH | FRAME FINISH | REMARKS |
|-------------------|-----|--------|----------|-------|------------------|-------------------|--------------|---------|
| | | | | | | | | |

| | | |
|-------------|-------|----------|
| PROJECT: | | |
| LOCATION: | | |
| CONTRACTOR: | | |
| AGENT: | | SHT: |
| DRG. BY: | DATE: | JOB NO.: |