

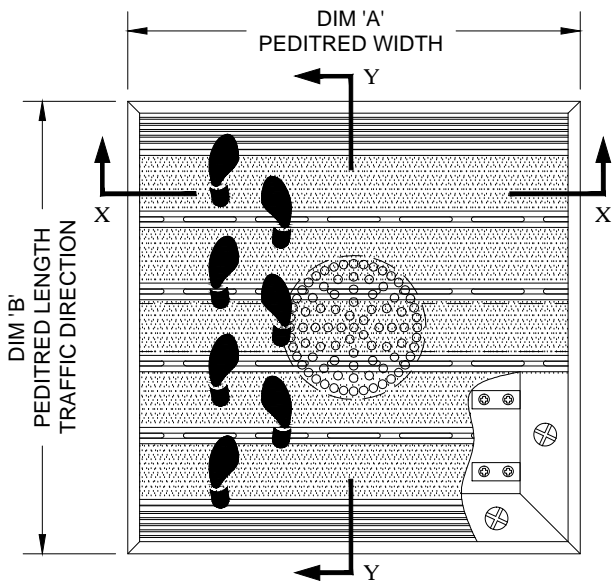
PEDITRED WITH LEVEL BASE FRAME AND DRAIN OPTION

INSERT STYLE: INSERT COLOR: CATALOG NUMBER: G4 PART NUMBER:

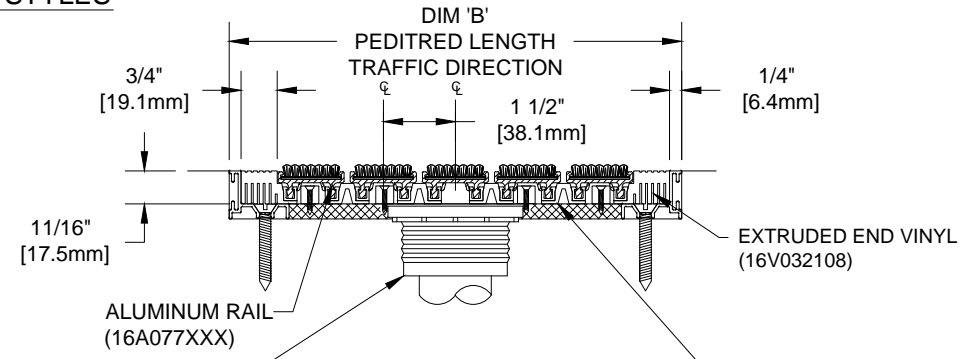
NO.	REVISION	DATE	BY
NO.	F&F RELEASE	DATE	BY



PEDITRED INSERT STYLES

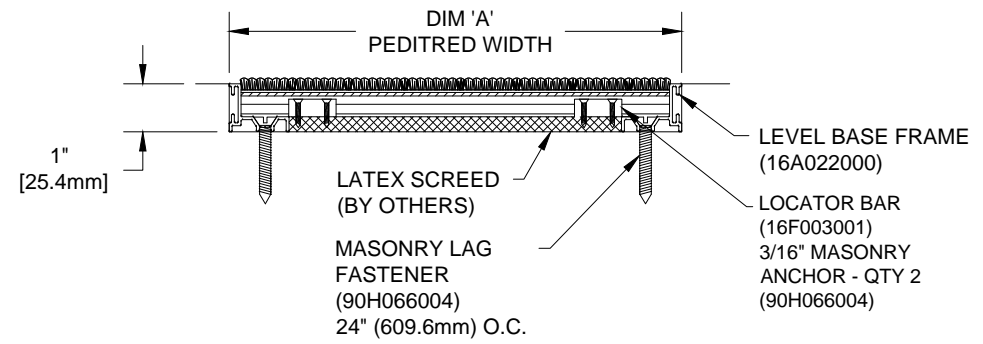


TYPICAL PLAN VIEW



CONTRACTOR INSTALLED
 GENERAL PURPOSE PVC DRAIN
 WITH S/S STRAINER FURNISHED BY C/S.
 OPTIONAL DRAIN TRENCHES SHOWN
 IN PLAN VIEW (BY OTHERS)

SECTION Y-Y



SECTION X-X

NOTES:

- *ALL SURFACES IN CONTACT WITH MASONRY ARE TO RECEIVE A COAT OF ZINC CHROMATE PRIMER
- *MAX. SINGLE GRID SIZE NOT TO EXCEED 12'-0" (3.66M) IN WIDTH (DIM "A") OR 100 SQUARE FEET
- *PLEASE VERIFY TRAFFIC DIRECTION
- *PEDITRED SHALL BE ABLE TO SUPPORT A 1000 LB. ROLLING LOAD.
- *SUPPLIED IN STANDARD MILL FINISH. (OPTIONAL FINISHES AVAILABLE AT ADDITIONAL COST)
- *ADDITIONAL SPECIFICATIONS ARE CONTAINED IN THE LATEST C/S CATALOG OR AT C-SGROUP.COM AND ARE CONSIDERED PART OF THIS TRANSMITTAL.

6696 Route 405 Highway, Muncy PA 17756
 (800) 233-8493 *Fax (570) 546-8992 *www.c-sgroup.com

PLEASE VERIFY ALL	QTY	MARK #	LOCATION	MODEL	DIM 'A' WIDTH	DIM 'B' LENGTH	FINISH	NOTES

PROJECT:		
LOCATION:		
CONTRACTOR:		
AGENT:		SHT:
DRG. BY:	DATE:	JOB NO.: