

**PEDITRED WITH LEVEL BASE FRAME AND RADIUS FRAME**

INSERT STYLE:

INSERT COLOR:

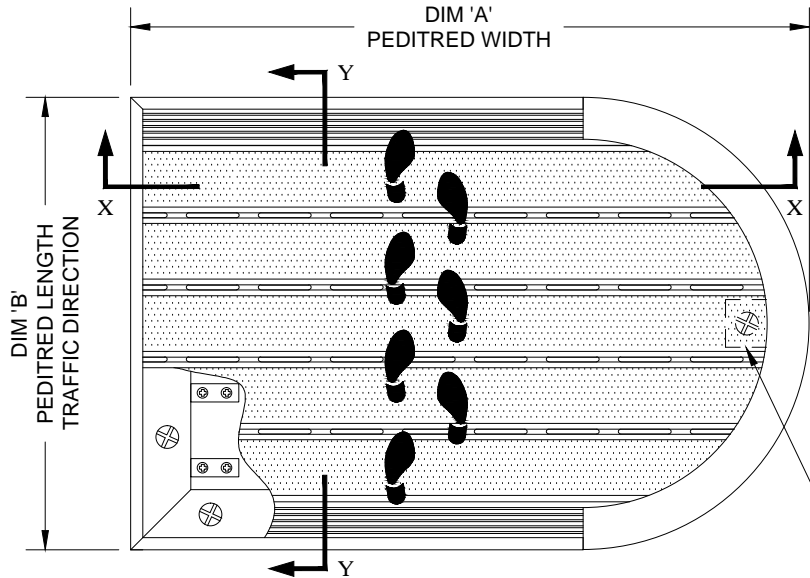
CATALOG NUMBER: G4

PART NUMBER:

NO.	REVISION	DATE	BY
NO.	F&F RELEASE	DATE	BY

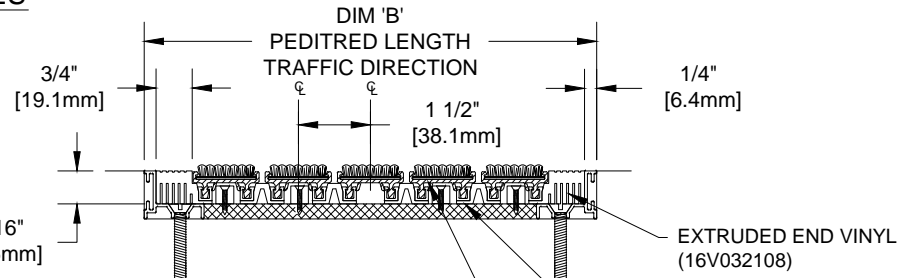


**PEDITRED INSERT STYLES**

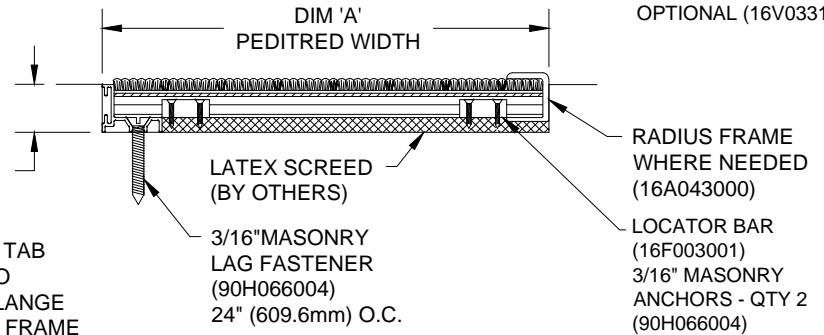


**TYPICAL PLAN VIEW**

ALUMINUM TAB WELDED TO BOTTOM FLANGE OF RADIUS FRAME FOR MASONRY LAG FASTENER (90H066004) 24" (609.6mm) O.C.



**SECTION Y-Y**



**SECTION X-X**

**NOTES:**

\*ALL SURFACES IN CONTACT WITH MASONRY ARE TO RECEIVE A COAT OF ZINC CHROMATE PRIMER

\*MAX. SINGLE GRID SIZE NOT TO EXCEED 12'-0" (3.66M) IN WIDTH (DIM "A") OR 100 SQUARE FEET

\*PLEASE VERIFY TRAFFIC DIRECTION

\*ADDITIONAL SPECIFICATIONS ARE CONTAINED IN THE LATEST C/S CATALOG OR AT C-SGROUP.COM AND ARE CONSIDERED PART OF THIS TRANSMITTAL.

\*PEDITRED SHALL BE ABLE TO SUPPORT A 1000 LB. ROLLING LOAD.

\*SUPPLIED IN STANDARD MILL FINISH. (OPTIONAL FINISHES AVAILABLE AT ADDITIONAL COST)

6696 Route 405 Highway, Muncy PA 17756  
 (800) 233-8463 \*Fax (570) 546-8892 www.c-sgroup.com

PLEASE VERIFY ALL	QTY	MARK #	LOCATION	MODEL	DIM 'A' WIDTH	DIM 'B' LENGTH	FINISH	NOTES

PROJECT:		
LOCATION:		
CONTRACTOR:		
AGENT:		SHT:
DRG. BY:	DATE:	JOB NO.: