

**FLOOROMETRY**

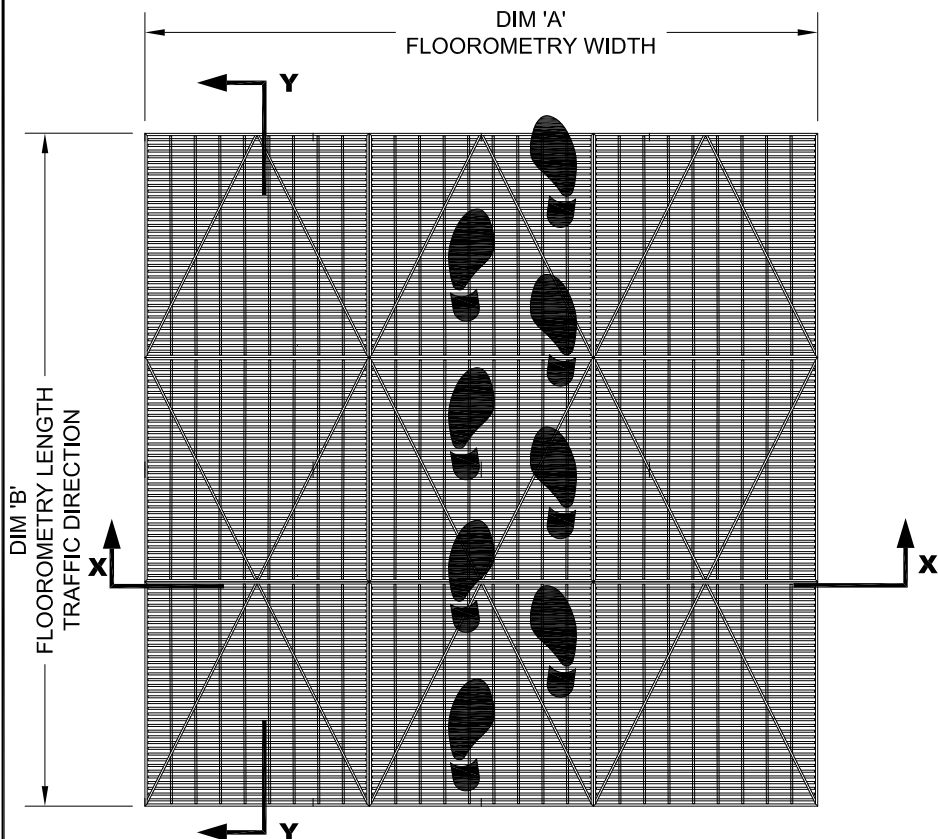
MATERIAL: T-304 S/S

GEOMETRY: TRIANGLE (SHOWN)

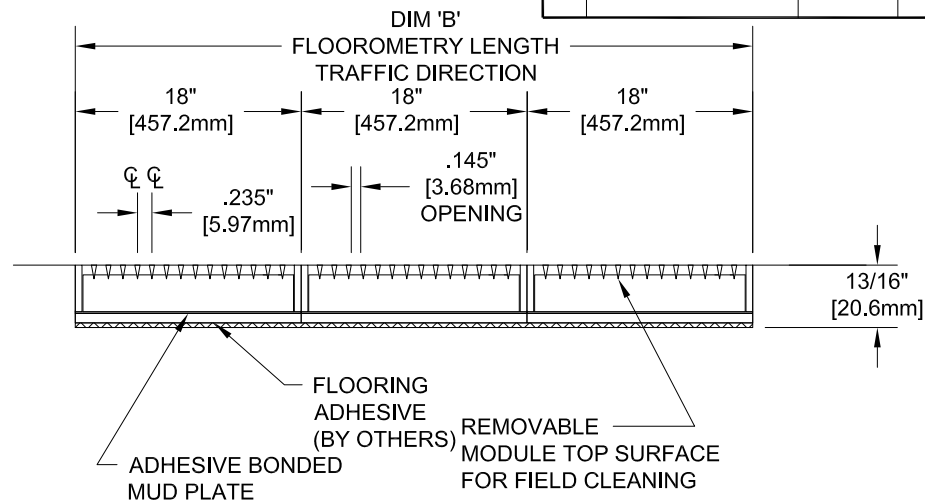
CATALOG NUMBER: 101

PART NUMBER:

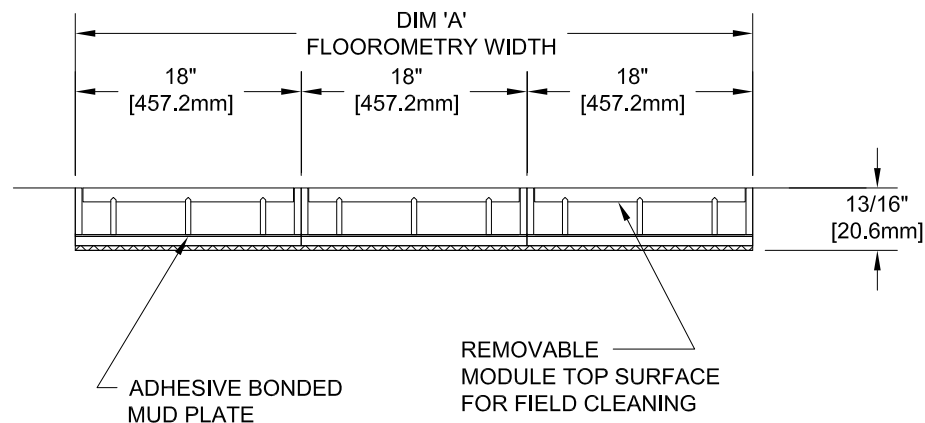
NO.	REVISION	DATE	BY
NO.	F&F RELEASE	DATE	BY



**TYPICAL PLAN VIEW**



**SECTION Y-Y**



**SECTION X-X**

**NOTES:**

\*FLOOROMETRY MODULE SIZE IS 18" [457.2 mm] SQUARE. DETAIL SHOWS EVEN MODULE SIZES IN WIDTH (DIM 'A') AND LENGTH (DIM 'B'). PERIMETER CUT MODULES ARE AVAILABLE FROM THE FACTORY.

\*FLOOROMETRY SHALL BE ABLE TO SUPPORT A 500LB ROLLING LOAD.

\* SURFACE WIRE SPACING PROVIDES A 57.7% EFFECTIVE OPEN AREA FOR DIRT AND MOISTURE REMOVAL.

\*ALL SURFACE WIRES AND SUPPORT BARS ARE ELECTRONICALLY RESISTANCE WELDED TO ENSURE CORRECT WEIGHT BEARING PROPERTIES. S/S BANDING TACK WELDED TO THE ASSEMBLY.

\*\*ADDITIONAL SPECIFICATIONS ARE CONTAINED IN THE LATEST C/S CATALOG OR AT C-SGROUP.COM AND ARE CONSIDERED PART OF THIS TRANSMITTAL.

\* SEE INSTALLATION INSTRUCTIONS FOR APPROVED ADHESIVES. ADHESIVE SUPPLIED BY OTHERS.



PLEASE VERIFY ALL	QTY	MARK #	LOCATION	MODEL	DIM 'A' WIDTH	DIM 'B' LENGTH	REMARKS

PROJECT:		
LOCATION:		
CONTRACTOR:		
AGENT:		SHT:
DRG. BY:	DATE:	JOB NO.: