

FLOORMOUNTS 1/4" SURFACE MOUNT

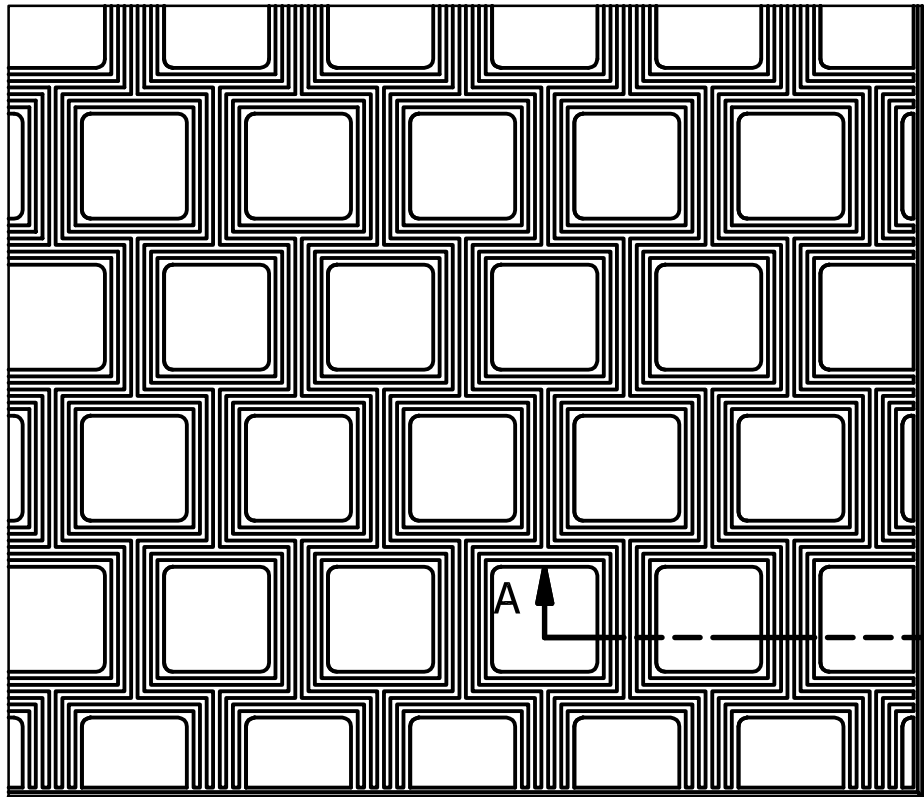
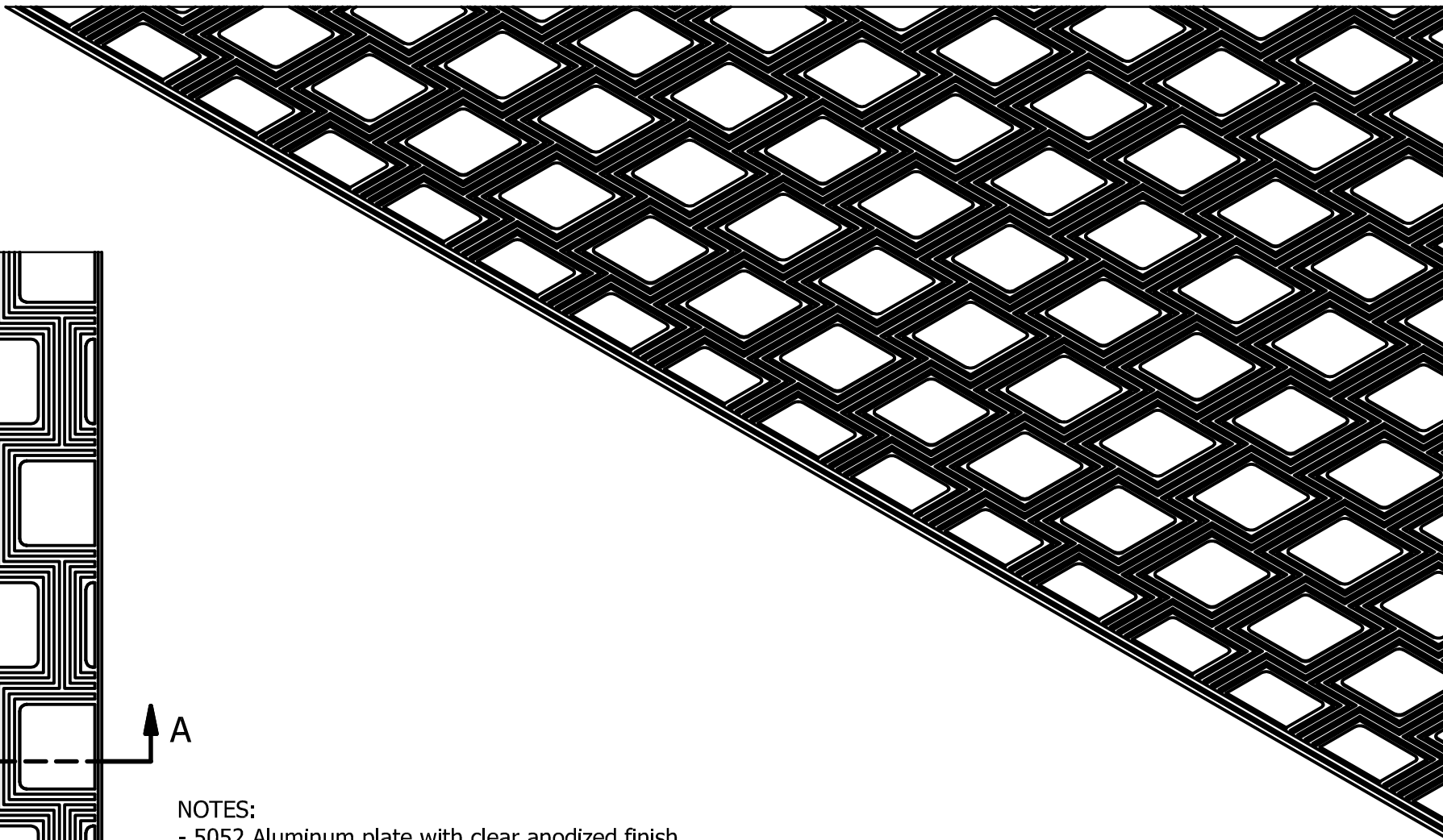
NO.	REVISION	DATE	BY
NO.	F&F RELEASE	DATE	BY

PATTERN: KINETIC

INSERT COLOR:

CATALOG NUMBER:

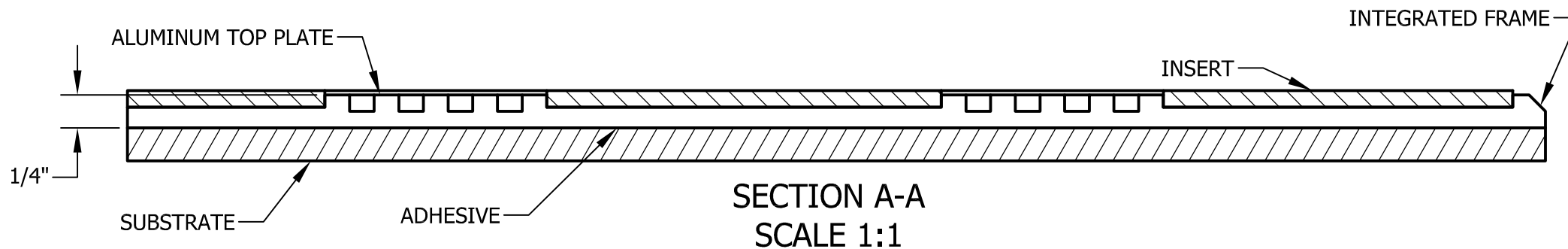
PART NUMBER:



PLAN VIEW
SCALE 1:5

NOTES:

- 5052 Aluminum plate with clear anodized finish
- Max module size 34" x 119"
- Splice sections will be butt joints to minimize pattern disruption.
- Drafting to determine best layout/sections required.
- Static Coefficient of Friction .5 per ASTM D-2047
- 1000 lb. per wheel rolling load



SECTION A-A
SCALE 1:1



PROJECT:		
LOCATION:		
CONTRACTOR:		
AGENT:		SHT:
DRG. BY:	DATE:	JOB NO.:

PLEASE VERIFY ALL	QTY	MARK #	LOCATION	MODEL	DIM 'A' WIDTH	DIM 'B' LENGTH	FINISH	REMARKS