

DESIGNSTEP™ (ENTRANCE CARPET) WITH LEVEL BASE FRAME

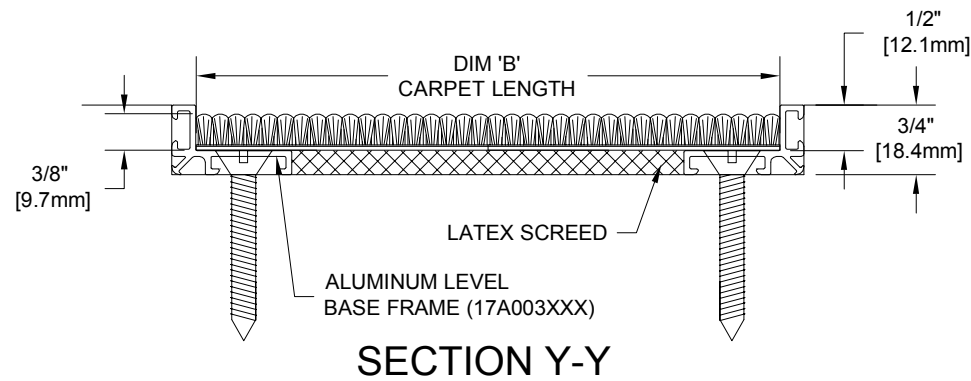
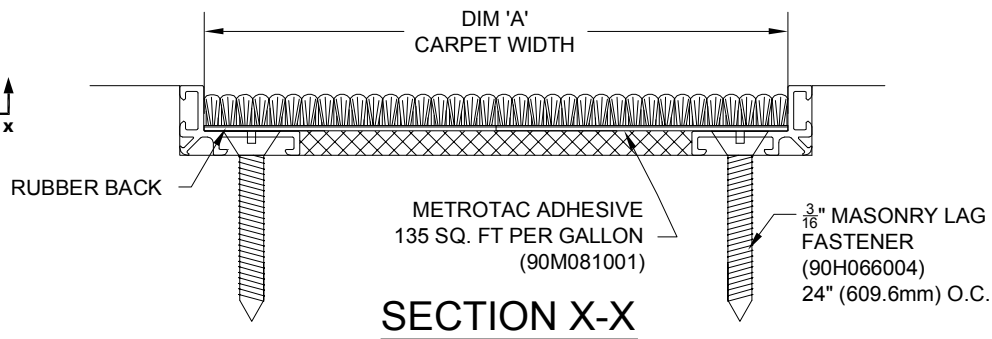
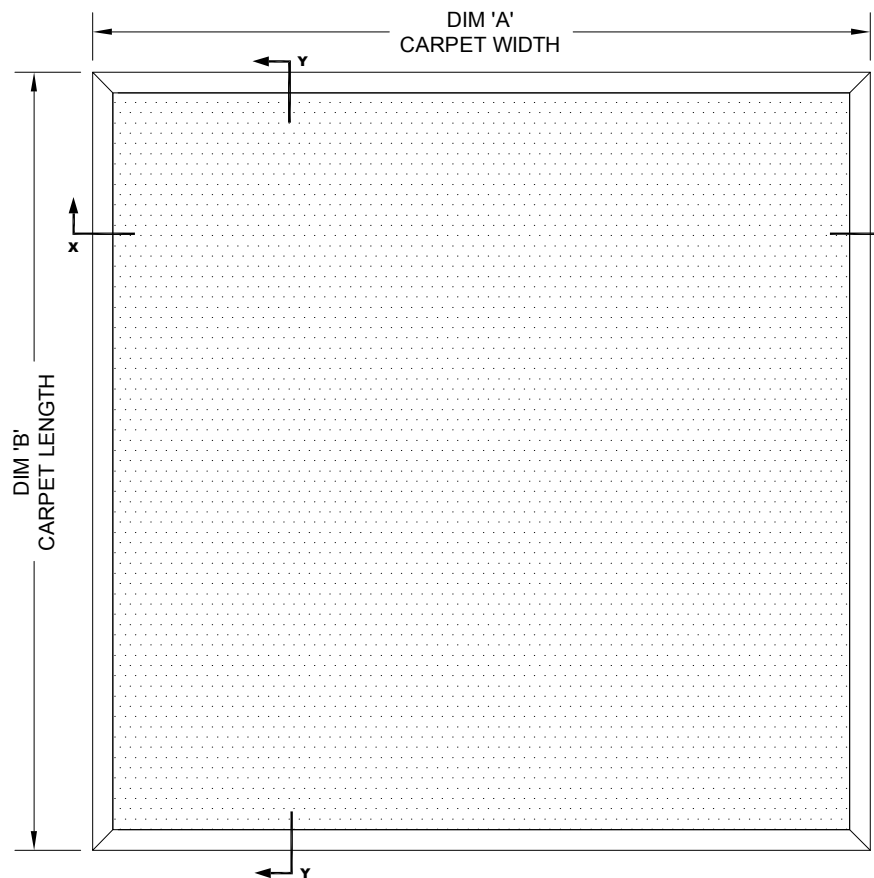
PATTERN STYLE:

PATTERN COLOR:

CATALOG NUMBER: BR

PART NUMBER:

NO.	REVISION	DATE	BY
NO.	F&F RELEASE	DATE	BY



NOTES:

*C/S ENTRANCE CARPET IS COMPOSED OF 100% UV RESISTANT POLYPROPYLENE FIBERS WITH A FACE WEIGHT OF 50o.z.

*CARPET IS SUPPLIED WITH ALL WEATHER NON-SKID RUBBER BACKING.

*CARPET ROLL CUTS WILL BE SUPPLIED OVERSIZED FOR FIELD TRIMMING IN LENGTHS AND WIDTHS OF EITHER 6'-7" OR 13'-2".

*PATTERN AVAILABLE IN POWERPOINT, DURATION OR INFINITY.

*ADDITIONAL SPECIFICATIONS ARE CONTAINED IN THE LATEST C/S CATALOG OR AT C-SGROUP.COM AND ARE CONSIDERED PART OF THIS TRANSMITTAL.

* ALL SURFACES IN CONTACT WITH MASONRY ARE TO RECIEVE A COAT OF ZINC CHROMATE PRIMER

CS Construction Specialties™
 8808 Route 405 Highway, Muncy PA 17798
 (800) 233-8493 · Fax: (570) 546-4692 · www.c-sgroup.com

PLEASE VERIFY ALL	QTY	MARK #	LOCATION	MODEL	DIM 'A' WIDTH	DIM 'B' LENGTH	FRAME FINISH	REMARKS

PROJECT:		
LOCATION:		
CONTRACTOR:		
AGENT:		SHT:
DRG. BY:	DATE:	JOB NO.: