

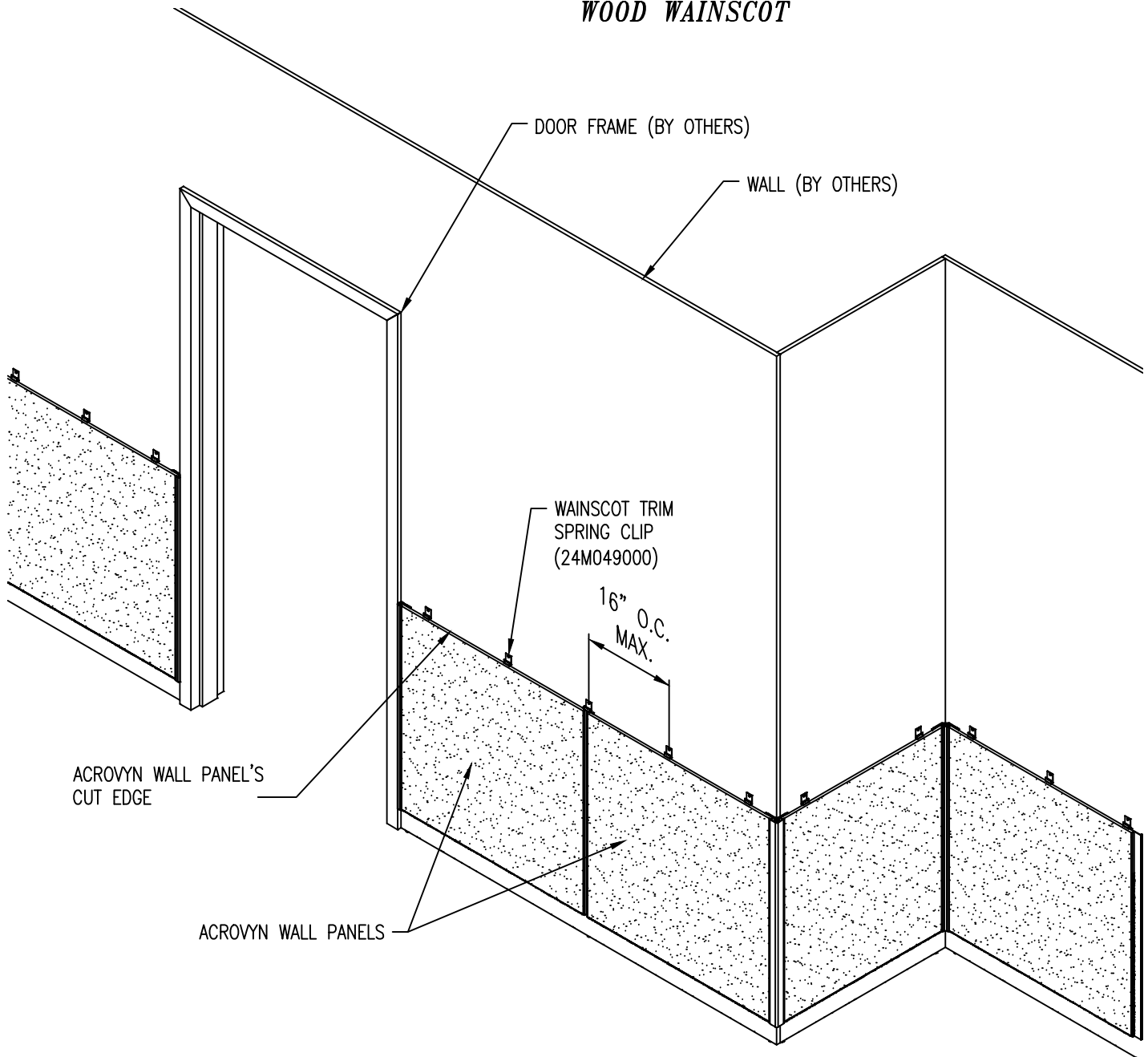
NOTES:

1. MATERIALS MUST REACH 65°F (18°C) MIN TO 75°F (24°C) MAX 24 HOURS PRIOR TO INSTALLATION. THIS IS ESSENTIAL TO MINIMIZE EXPANSION AND CONTRACTION OF MATERIAL.
2. FOR DRYWALL/PLASTER WALL CONSTRUCTION, IT IS RECOMMENDED FOR FASTENERS TO BE ENGAGED INTO METAL/WOOD STUDS TO MAINTAIN MAXIMUM PULLOUT STRENGTH.

WALL CONDITION	SPECIFIED FASTENER	DRILL DIAMETERS		C/S PART NUMBER
		WALL	RETAINER	
STEEL STUD/GYPSUM WALL	#6 X 1-5/8" BUGLE HEAD SMS	N/A	3/16"	90H079002
CONCRETE/CONC. BLOCK	AF-6 PLASTIC ANCHOR #10 X 1-1/2" PHILLIPS PAN HD. SMS	1/4"	9/32"	90H039004 90H189002
WOOD STUD/GYPSUM WALL	#6 X 1-5/8" BUGLE HEAD SMS	N/A	3/16"	90H079002

INSTALLATION INSTRUCTIONS

DEMOUNTABLE Z-CLIP ACROVYN WALL PANEL SYSTEM WITH WOOD WAINSCOT



ALL ACROVYN WALL PANELS SHOULD BE INSTALLED, REFERENCE INSTALLATION INSTRUCTIONS FOR DEMOUNTABLE Z-CLIP ACROVYN WALL PANEL SYSTEM. UPPER HORIZONTAL REVEAL WILL NOT BE NECESSARY BECAUSE ACROVYN WALL PANEL'S CUT EDGE WILL BE COVERED BY WOOD WAINSCOT TRIM.

STEP 1:
INSTALL WAINSCOT SPRING CLIPS, REFERENCE LAYOUT VIEW FOR PROPER SPACING. LOCATE CLIPS DIRECTLY ON TOP OF CUT EDGE OF ACROVYN WALL PANEL. USING FASTENERS SPECIFIED ON CHART AT BOTTOM OF LAYOUT VIEW, BE SURE TO ATTACH DIRECTLY INTO A STUD. HEAD OF FASTENERS NEED TO BE SUNK FLUSH WITH SPRING CLIP TO AVOID INTERFERING WITH BACK OF WAINSCOT TRIM.

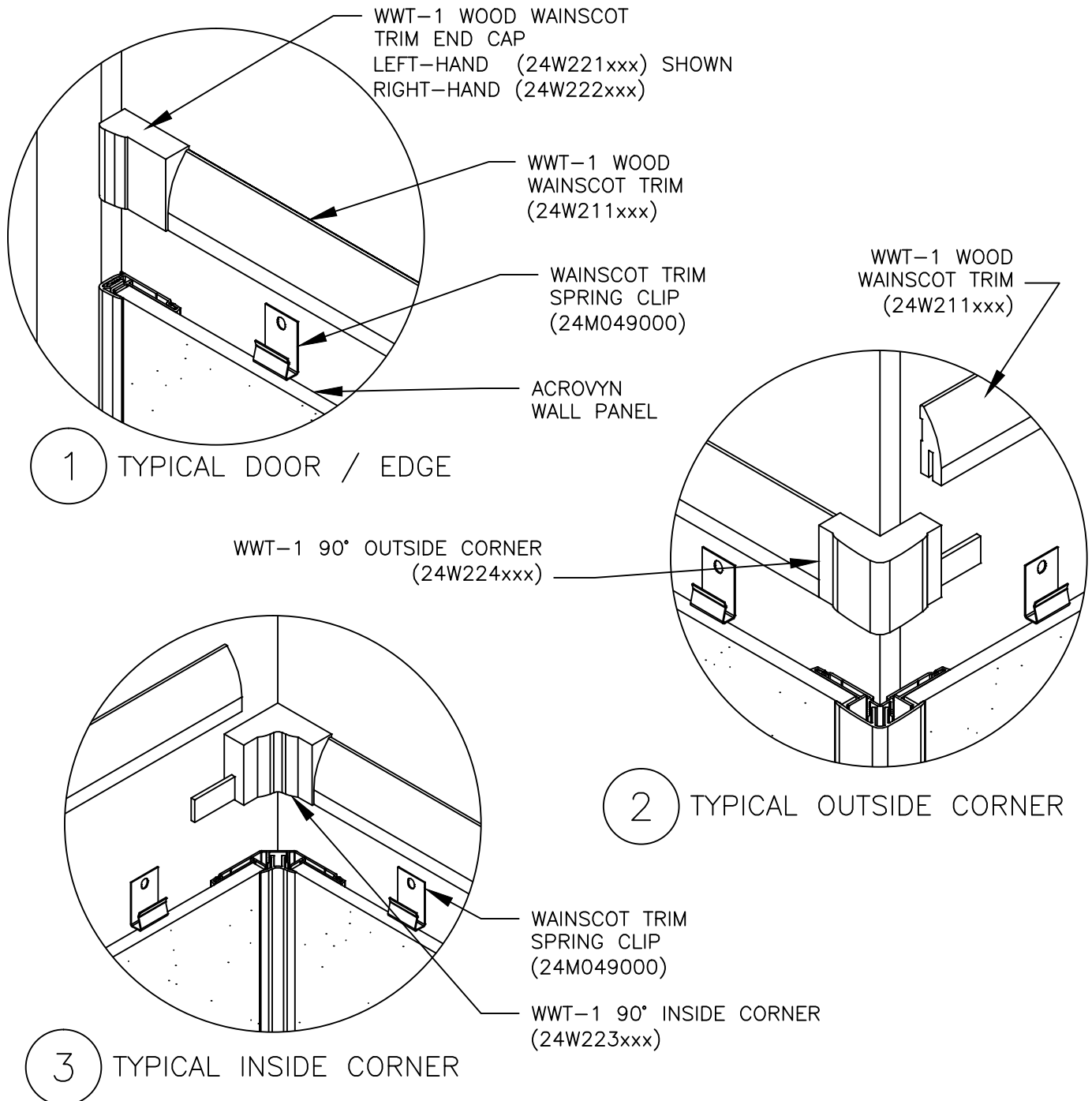
INSTALLATION INSTRUCTIONS

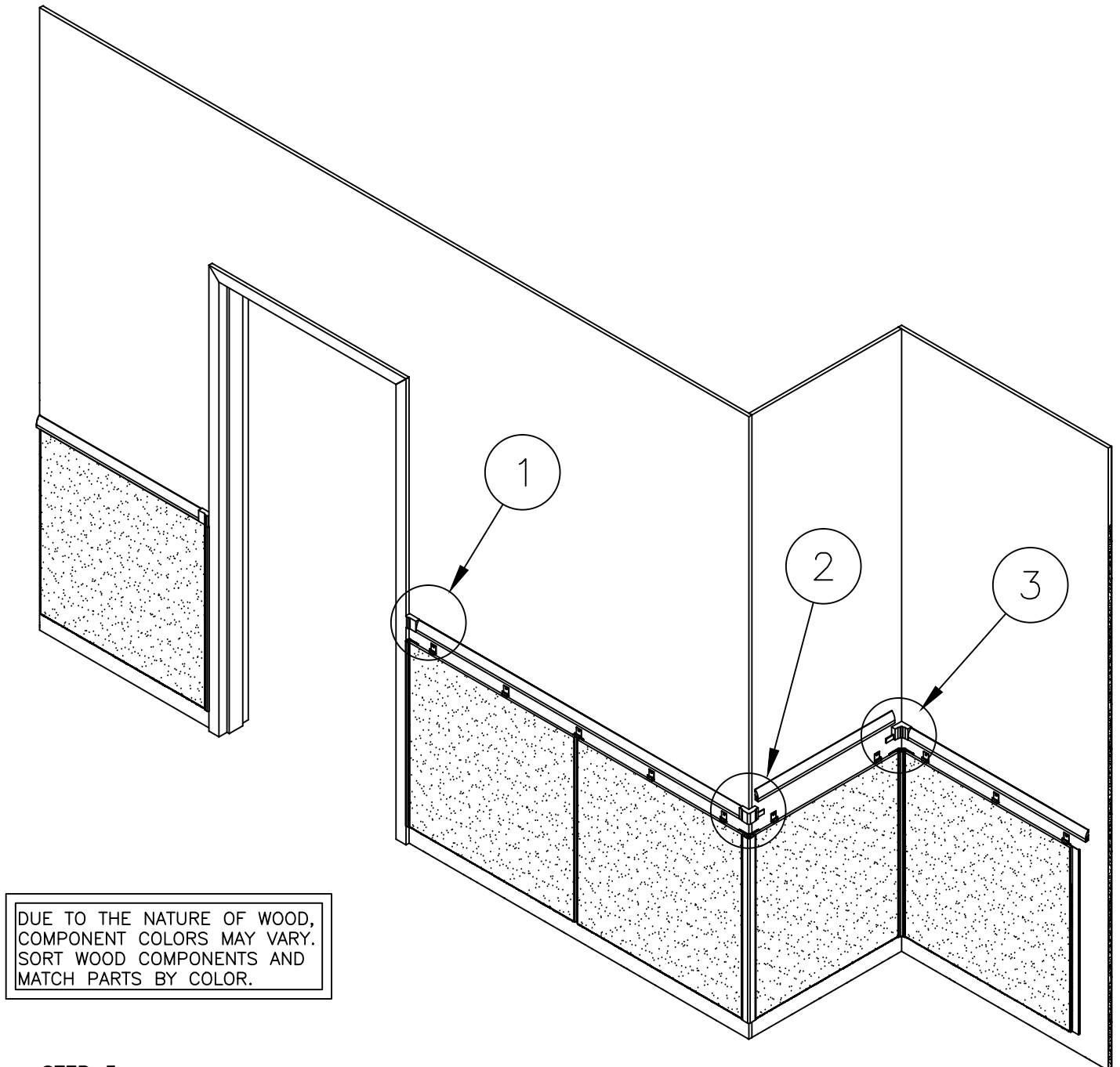
DEMOUNTABLE Z-CLIP ACROVYN WALL PANEL SYSTEM WITH WOOD WAINSCOT

NOTE: All lineal material to be supplied in random lengths, 8'-0" to 10'-0" long. This material is to be field cut using QUALITY equipment to insure that all cuts are square. When cutting wood sections, C/S recommends using a carbide triple tooth blade, to minimize chipping and maintain joint alignment. We suggest the longest trim runs be installed first.

STEP 2:

CUT TO SIZE ALL WOOD WAINSCOT TRIM, DEDUCT FOR THE FOLLOWING: END CAPS, OUTSIDE CORNERS AND INSIDE CORNERS. SEE DETAILS 1, 2, AND 3. REFER TO LAYOUT VIEW FOR PROPER DEDUCTION.





DUE TO THE NATURE OF WOOD,
COMPONENT COLORS MAY VARY.
SORT WOOD COMPONENTS AND
MATCH PARTS BY COLOR.

STEP 3:
USING THE WOODEN TAB AND CUT EDGE OF WAINSCOT TRIM, GLUE END CAPS TO WAINSCOT TRIM. ONLY ONE INSIDE AND OUTSIDE CORNERS TRIM TAB NEEDS TO BE GLUED TO THE WAINSCOT TRIM. TITEBOND GLUE IS RECOMMENDED FOR THIS APPLICATION.

STEP 4:
INSTALL WOOD WAINSCOT TRIM ASSEMBLY OVER SPRING CLIPS. IT MAY BE NECESSARY TO TAP THE TRIM IN PLACE USING A MALLOT, HOWEVER PRECAUTIONS SHOULD BE TAKEN TO PROTECT THE WAINSCOT TRIM FINISH.

10/20/11