

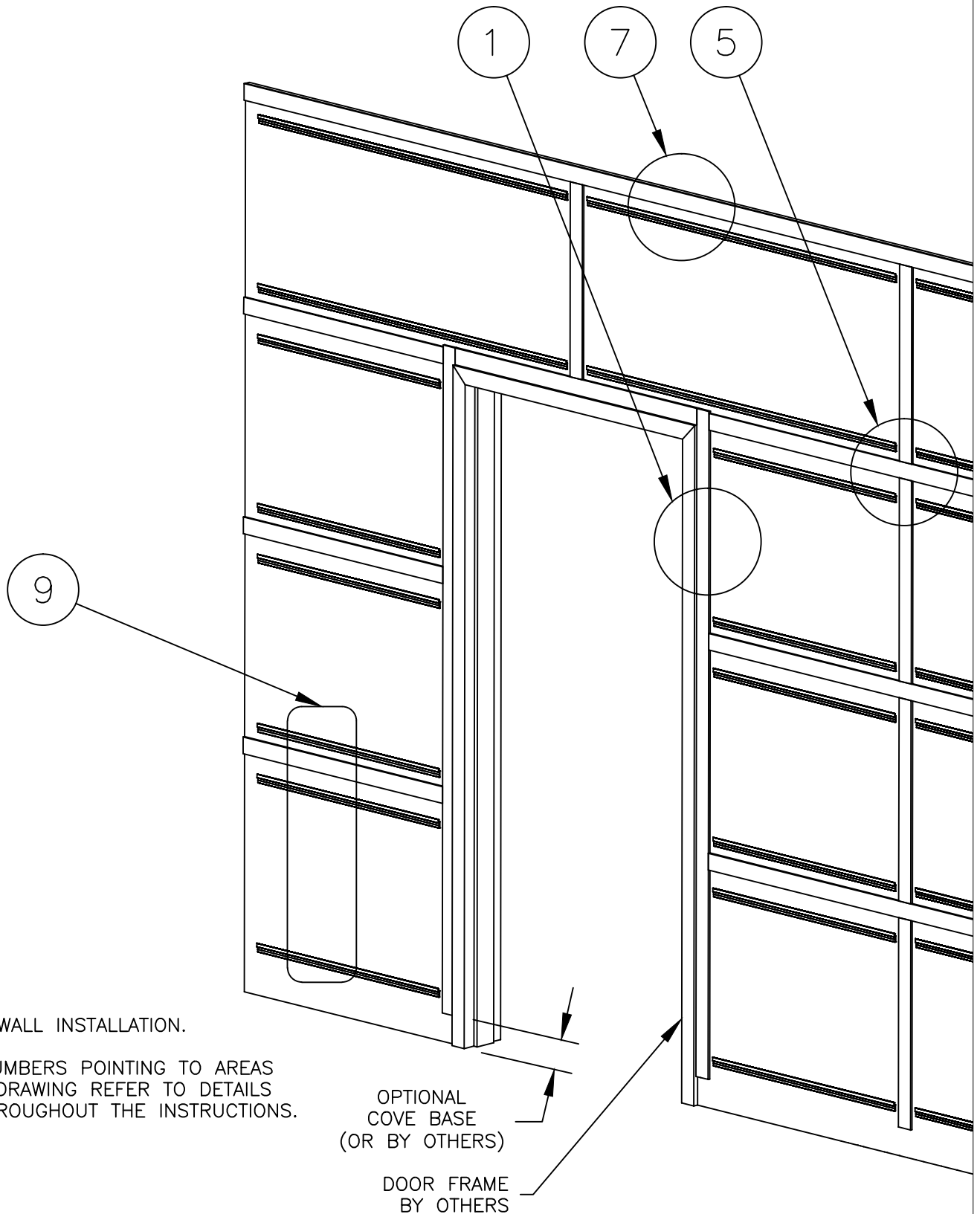
NOTES:

1. MATERIALS MUST REACH 65°F (18°C) MIN TO 75°F (24°C) MAX 24 HOURS PRIOR TO INSTALLATION. THIS IS ESSENTIAL TO MINIMIZE EXPANSION AND CONTRACTION OF MATERIAL.
2. FOR DRYWALL/PLASTER WALL CONSTRUCTION, IT IS RECOMMENDED FOR FASTENERS TO BE ENGAGED INTO METAL/WOOD STUDS TO MAINTAIN MAXIMUM PULL-OUT STRENGTH.

WALL CONDITION	SPECIFIED FASTENER	DRILL DIAMETERS		C/S PART NUMBER
		WALL	RETAINER	
STEEL STUD/GYPSUM WALL	#6 X 1 5/8" BUGLE HEAD SHEET METAL SCREW	N/A	3/16"	90H079002
CONCRETE/CONC. BLOCK	#10 X 1 1/2" PHILLIPS PAN HEAD SMS AF-6 PLASTIC ANCHORS	1/4"	9/32"	90H189002 90H039004
WOOD STUD/GYPSUM WALL	#6 X 1 5/8" BUGLE HEAD SHEET METAL SCREWS	N/A	3/16"	90H079002

INSTALLATION INSTRUCTIONS

DEMOUNTABLE Z-CLIP WOOD WALL PANEL SYSTEM



TYPICAL WALL INSTALLATION.

NOTE: NUMBERS POINTING TO AREAS OF THE DRAWING REFER TO DETAILS USED THROUGHOUT THE INSTRUCTIONS.

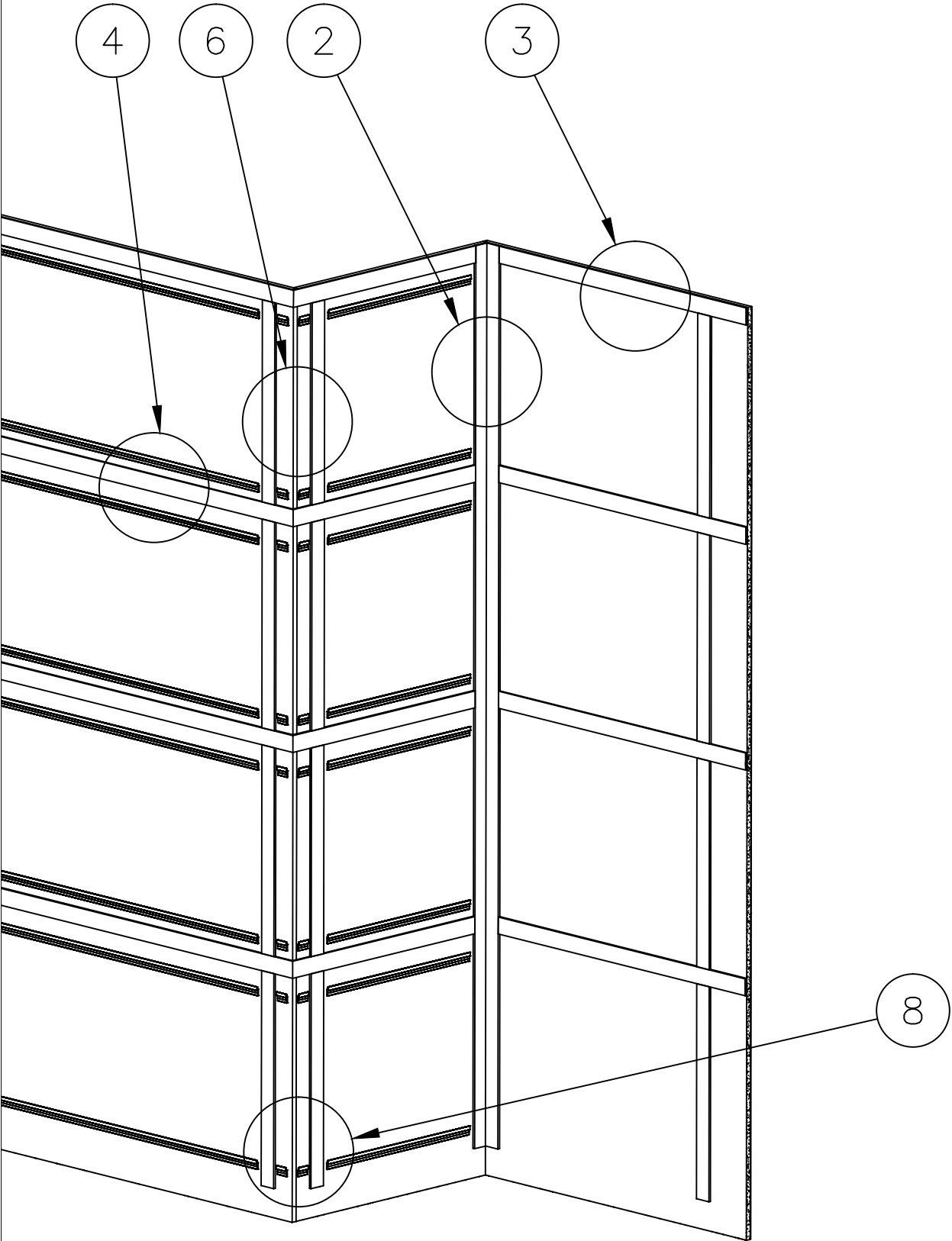
OPTIONAL
COVE BASE
(OR BY OTHERS)

DOOR FRAME
BY OTHERS

STEP 1:
MEASURE WALLS TO DETERMINE LAYOUT AND PLACEMENT OF WALL PANELS. THIS
SYSTEM IS DESIGNED TO USE CUSTOM MANUFACTURED PANELS AT ALL DOORS,
CORNERS, ETC.

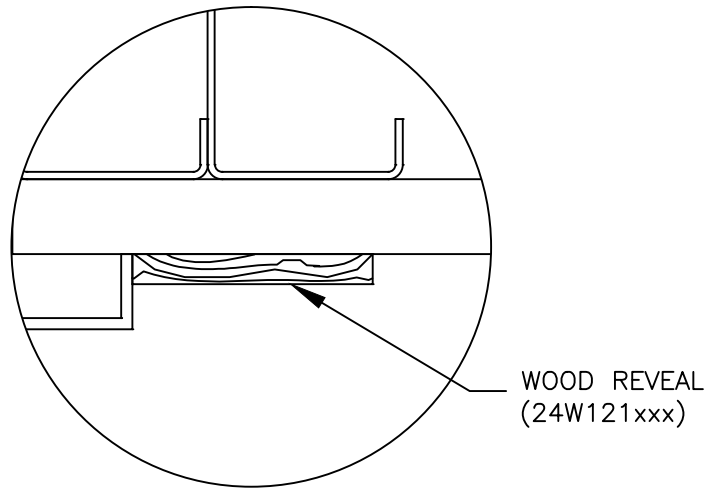
21C

**REFER TO DRAFTING DETAILS FOR SPECIFIED REVEAL WIDTH
AND WALL MOUNTING CLIP LOCATION.**

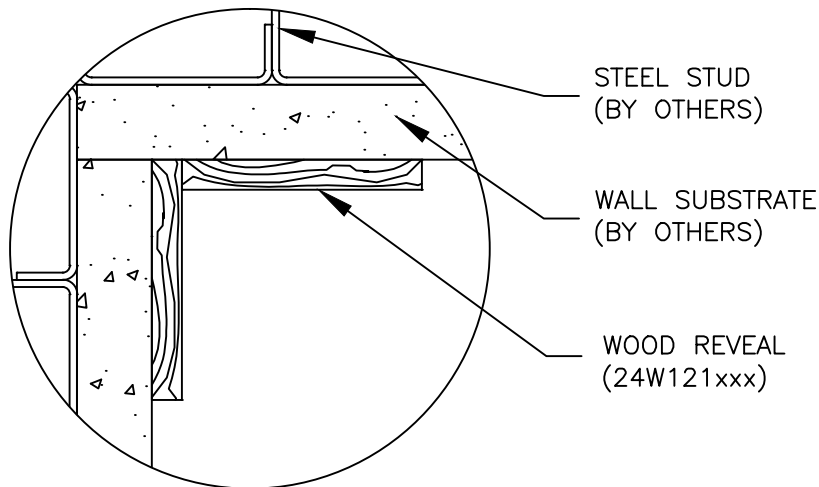


INSTALLATION INSTRUCTIONS

DEMOUNTABLE Z-CLIP WOOD WALL PANEL SYSTEM



1 TYPICAL DOOR / EDGE

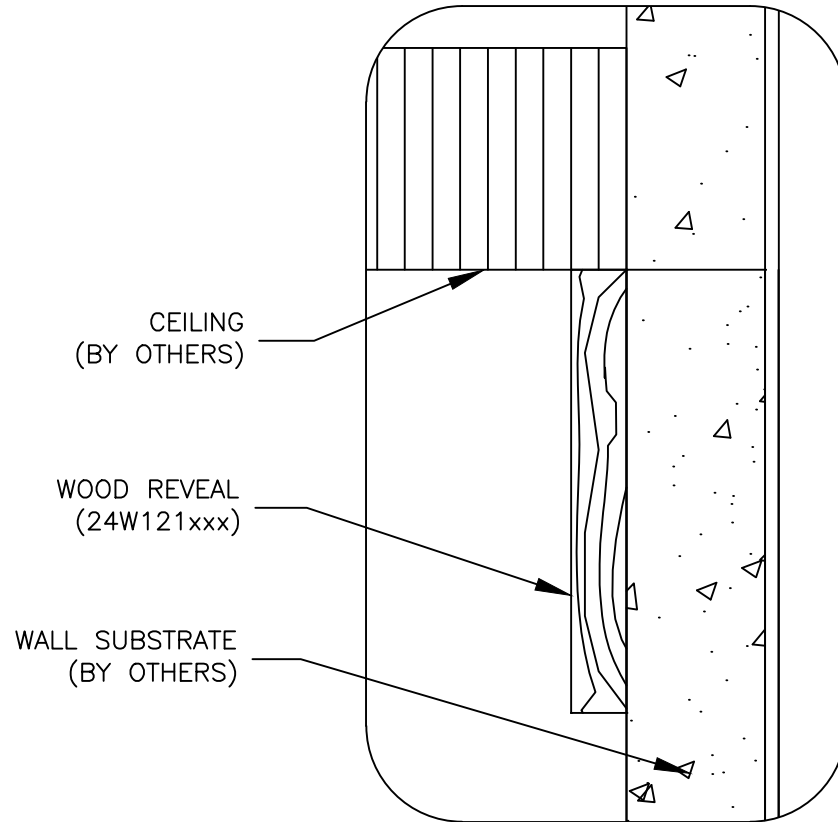


2 TYPICAL INSIDE CORNER

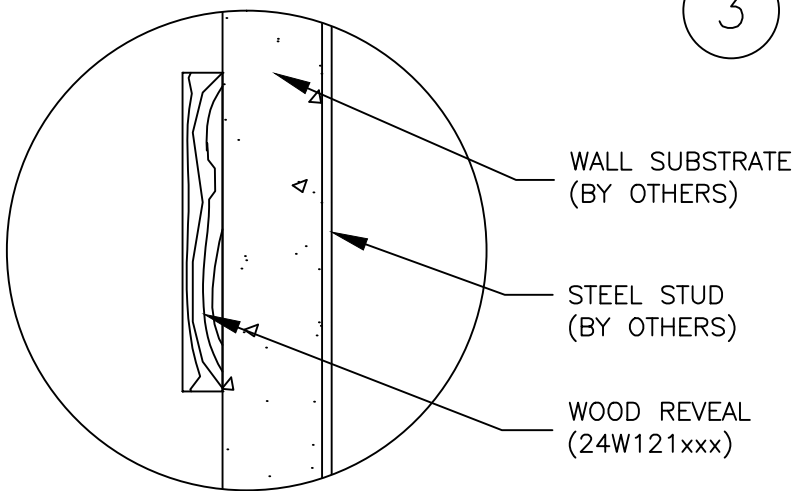
STEP 2:

CUT ALL WOOD REVEALS TO SIZE AND INSTALL AROUND DOOR FRAMES AND AT INSIDE CORNERS. SEE DETAILS 1 AND 2. WOOD REVEALS ARE TO BE INSTALLED USING CONSTRUCTION ADHESIVE.

NOTE: ONLY A SMALL AMOUNT OF CONSTRUCTION ADHESIVE IS NECESSARY TO HOLD THE REVEALS IN PLACE. APPLY A CONTINUOUS BEAD OF ADHESIVE THE ENTIRE LENGTH OF THE WOOD REVEAL IN A SNAKE LIKE FASHION. CAUTION...IF TOO MUCH IS APPLIED IT MAY MAKE THE PANEL INSTALLATION DIFFICULT OR IMPOSSIBLE. USE 3/4" - 1 1/4" LONG FINISH BRAD NAILS TO TEMPORARILY HOLD THE REVEALS IN PLACE UNTIL THE ADHESIVE COMPLETELY CURES.



3 TYPICAL WOOD REVEAL AT CEILING



4 TYPICAL HORIZONTAL WOOD REVEAL

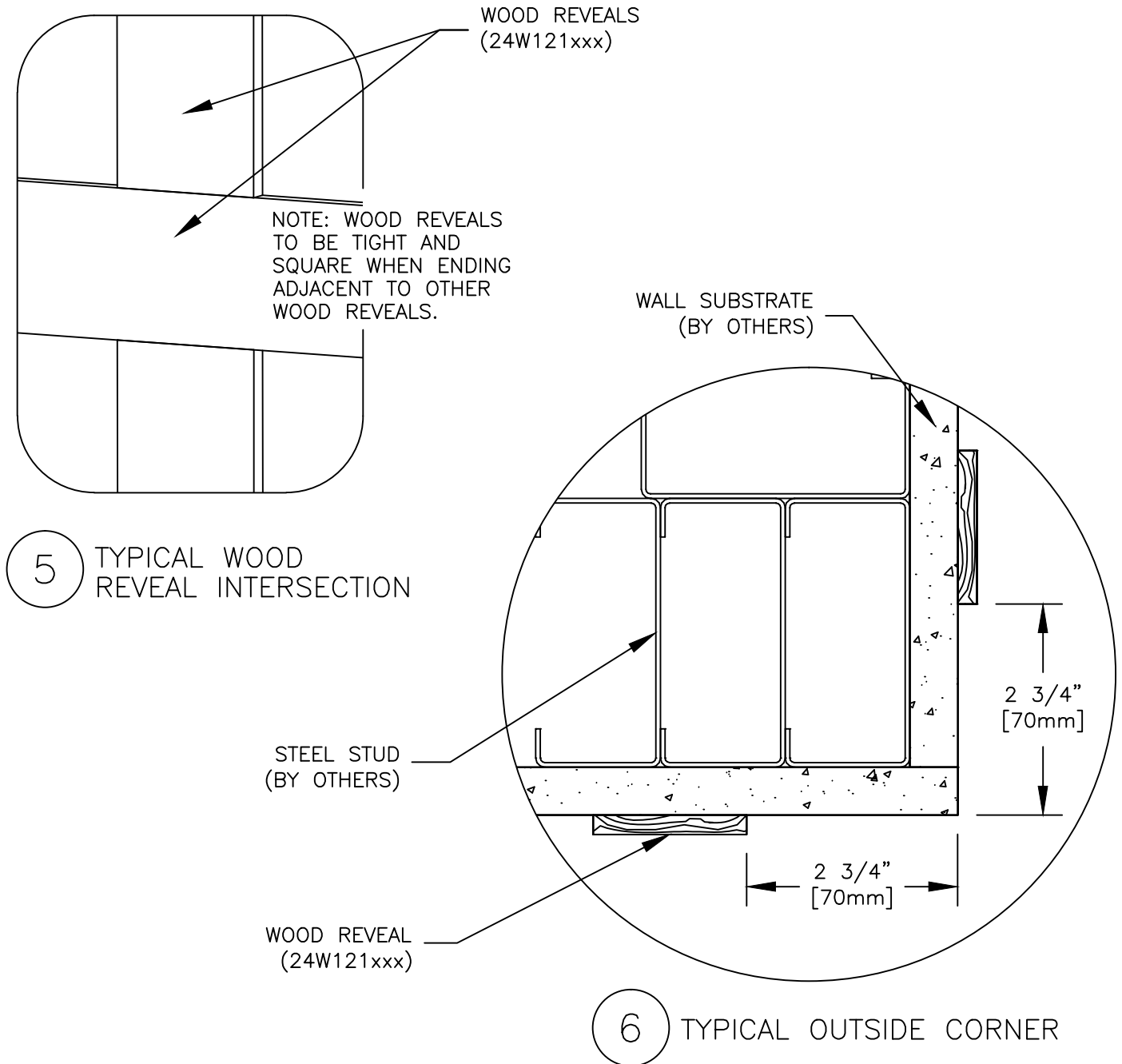
STEP 3:

CUT TO SIZE AND INSTALL ALL HORIZONTAL WOOD REVEALS. SEE DETAILS 3 AND 4. WARNING: BE SURE ALL PIECES ARE INSTALLED LEVEL. NOTE: THE WALL PANEL AND REVEAL RETAINER LOCATION IS BASED ON A SPECIFIED REVEAL WIDTH SHOWN IN THE DRAFTING DETAILS. STANDARD WIDTHS ARE 3/8", 1/2", 5/8", 3/4" OR 1" (10mm, 13mm, 16mm, 19mm, or 25mm).

NOTE: ONLY A SMALL AMOUNT OF CONSTRUCTION ADHESIVE IS NECESSARY TO HOLD THE REVEALS IN PLACE. APPLY A CONTINUOUS BEAD OF ADHESIVE THE ENTIRE LENGTH OF THE WOOD REVEAL IN A SNAKE LIKE FASHION. CAUTION...IF TOO MUCH IS APPLIED IT MAY MAKE THE PANEL INSTALLATION DIFFICULT OR IMPOSSIBLE. USE 3/4" - 1 1/4" LONG FINISH BRAD NAILS TO TEMPORARILY HOLD THE REVEALS IN PLACE UNTIL THE ADHESIVE COMPLETELY CURES.

INSTALLATION INSTRUCTIONS

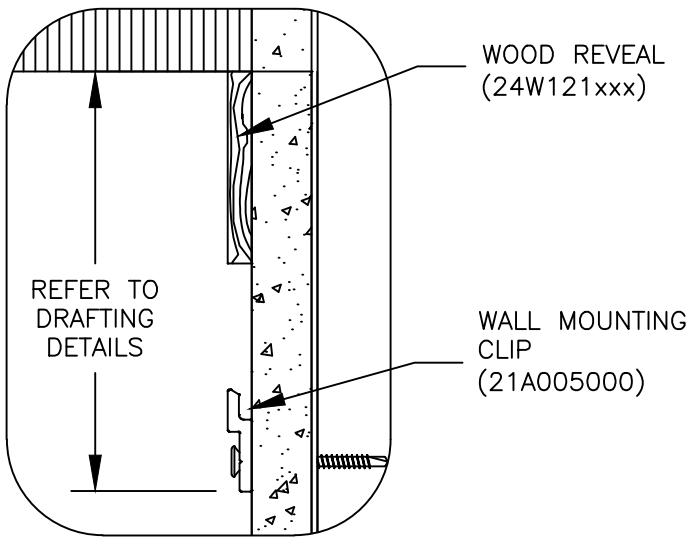
DEMOUNTABLE Z-CLIP WOOD WALL PANEL SYSTEM



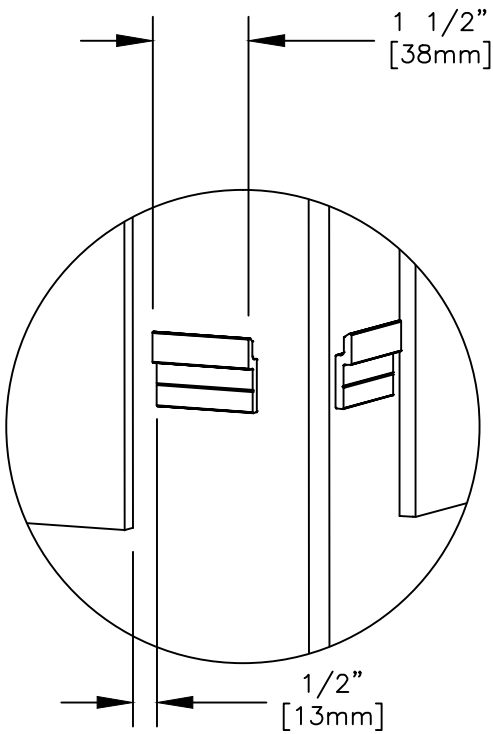
STEP 4:

ONCE ALL HORIZONTAL WOOD REVEALS ARE IN PLACE, CUT TO SIZE AND INSTALL ALL VERTICAL WOOD REVEALS. SEE DETAILS 5 AND 6. WARNING: BE SURE ALL PIECES ARE INSTALLED PLUMB.

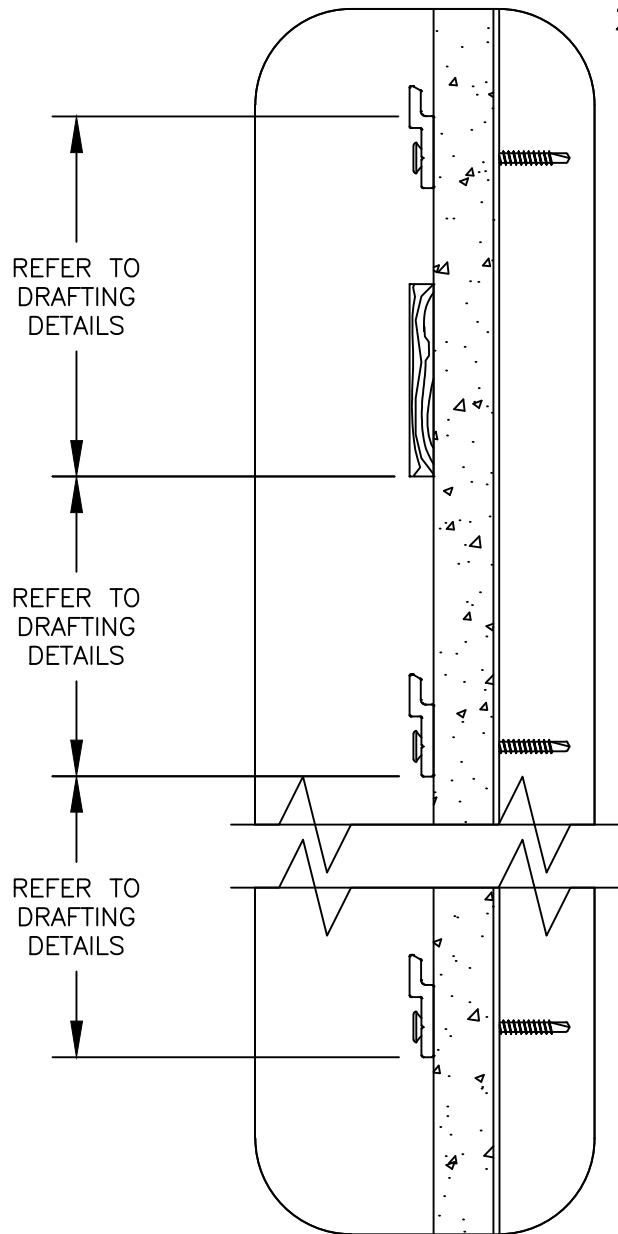
NOTE: ONLY A SMALL AMOUNT OF CONSTRUCTION ADHESIVE IS NECESSARY TO HOLD THE REVEALS IN PLACE. APPLY A CONTINUOUS BEAD OF ADHESIVE THE ENTIRE LENGTH OF THE WOOD REVEAL IN A SNAKE LIKE FASHION. CAUTION...IF TOO MUCH IS APPLIED IT MAY MAKE THE PANEL INSTALLATION DIFFICULT OR IMPOSSIBLE. USE 3/4" - 1 1/4" LONG FINISH BRAD NAILS TO TEMPORARILY HOLD THE REVEALS IN PLACE UNTIL THE ADHESIVE COMPLETELY CURES.



7 WOOD REVEAL AND WALL MOUNTING CLIP AT CEILING



8 WOOD REVEAL AND WALL MOUNTING CLIP AT OUTSIDE CORNER

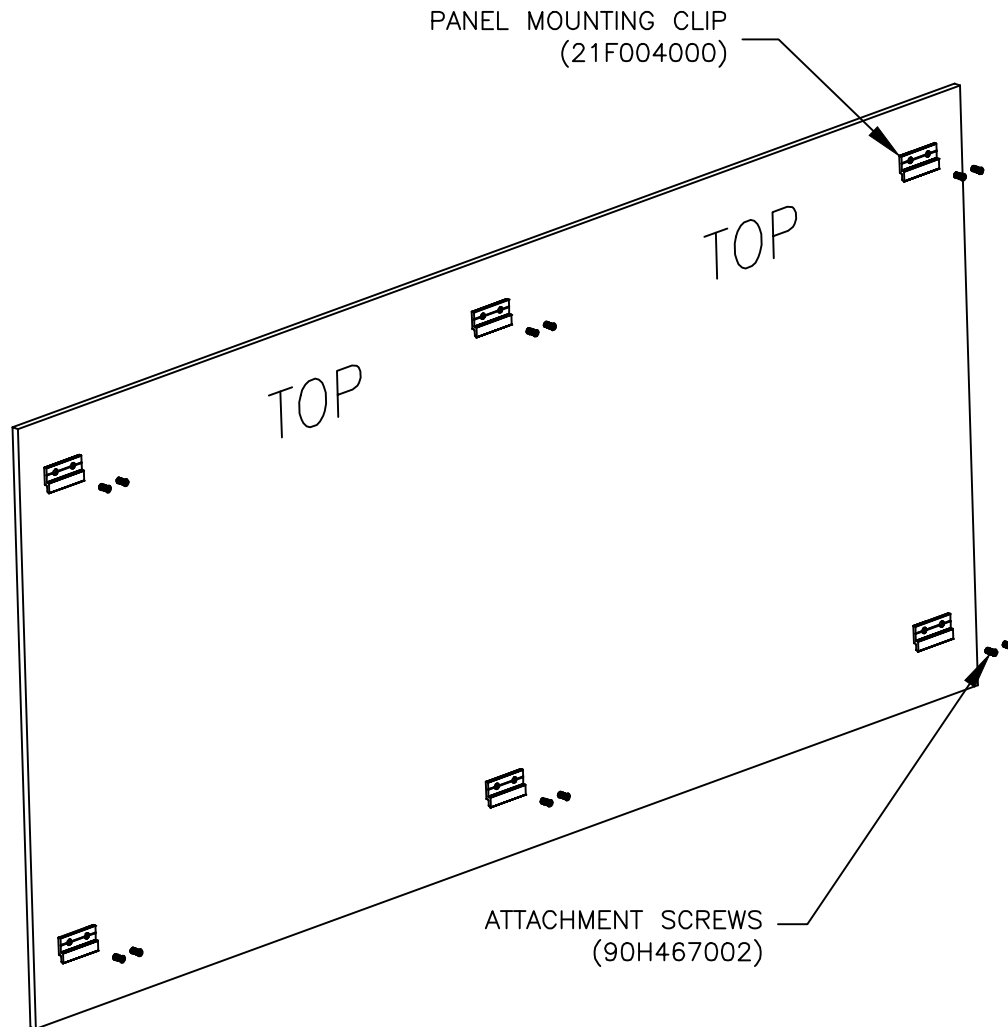


9 ALUMINUM WALL MOUNTING CLIPS AT FLOOR / BASE CONDITION

STEP 5:
 CUT TO SIZE AND INSTALL ALL WALL MOUNTING CLIPS. SEE DETAILS 7, 8, AND 9. BE SURE ALL WALL MOUNTING CLIPS ARE LEVEL. WARNING: THE LOCATION OF WALL MOUNTING CLIPS IS CRITICAL TO A PROPERLY SPACED REVEAL WIDTH. BE SURE THESE CLIPS ARE ATTACHED TO A STUD, BECAUSE THEY SUPPORT THE FULL WEIGHT OF THE WALL PANELS. ALL ALUMINUM EXTRUSIONS HAVE A SMALL "V" GROOVE FOR LOCATING FASTENERS.

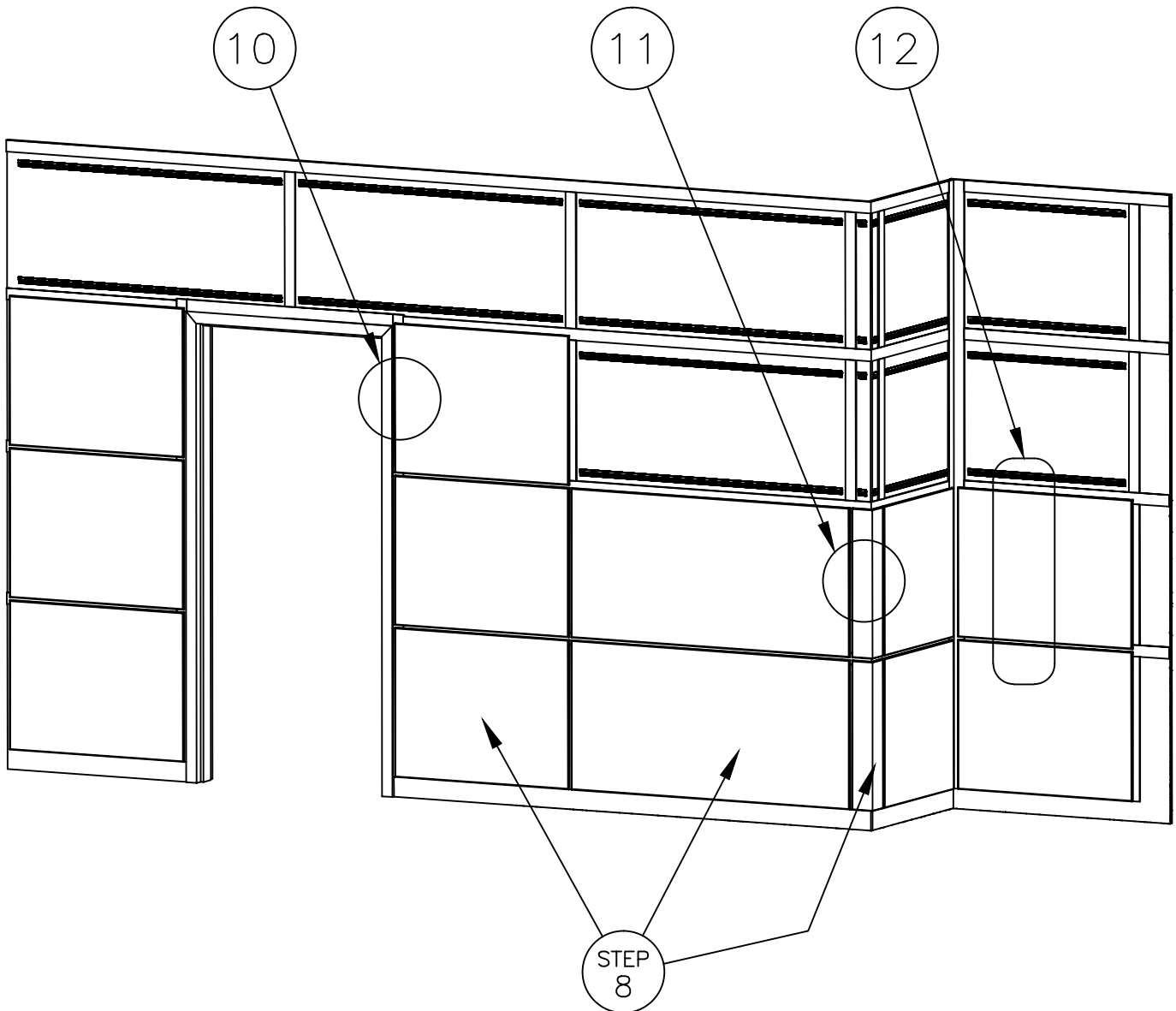
INSTALLATION INSTRUCTIONS

DEMOUNTABLE Z-CLIP WOOD WALL PANEL SYSTEM



STEP 6:

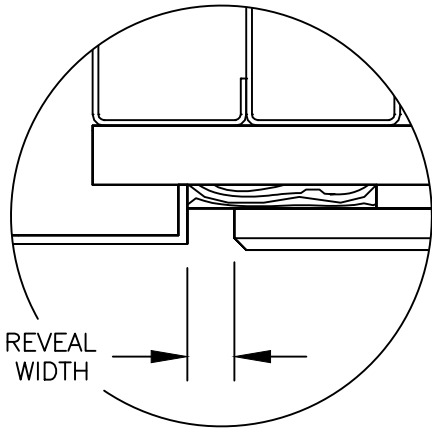
INSTALL FACTORY SUPPLIED PANEL MOUNTING CLIPS (21F004000) USING ATTACHMENT SCREWS (90H467002) IN PREDRILLED HOLES IN THE BACK OF PANELS. THE TOP OF THE PANEL SHOULD BE CLEARLY MARKED TO ENSURE THAT THE PANEL MOUNTING CLIPS ARE PROPERLY ORIENTED.



STEP 7:
INSTALL PANELS MAINTAINING THE SPECIFIED REVEAL WIDTH BETWEEN PANELS AND AT ALL END CONDITIONS AND INSIDE AND OUTSIDE CORNERS (SEE BACK PAGE, DETAILS 10, 11, AND 12). ALL CUSTOM PANELS SHOULD HAVE A MARK NUMBER THAT REFLECTS THE PROPER LOCATION ON THE JOBSITE.

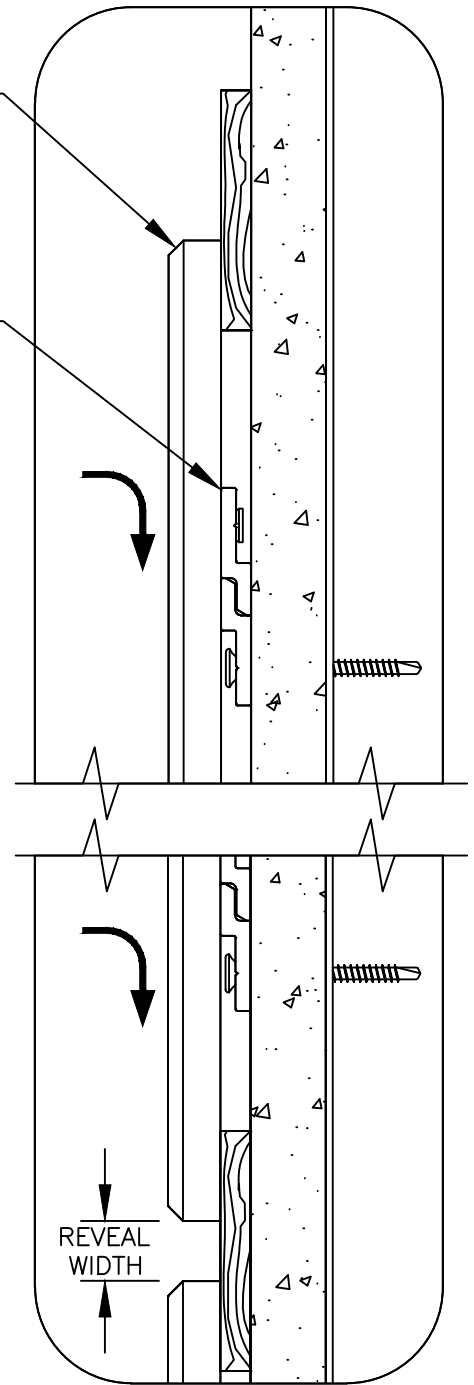
INSTALLATION INSTRUCTIONS

DEMOUNTABLE Z-CLIP WOOD WALL PANEL SYSTEM

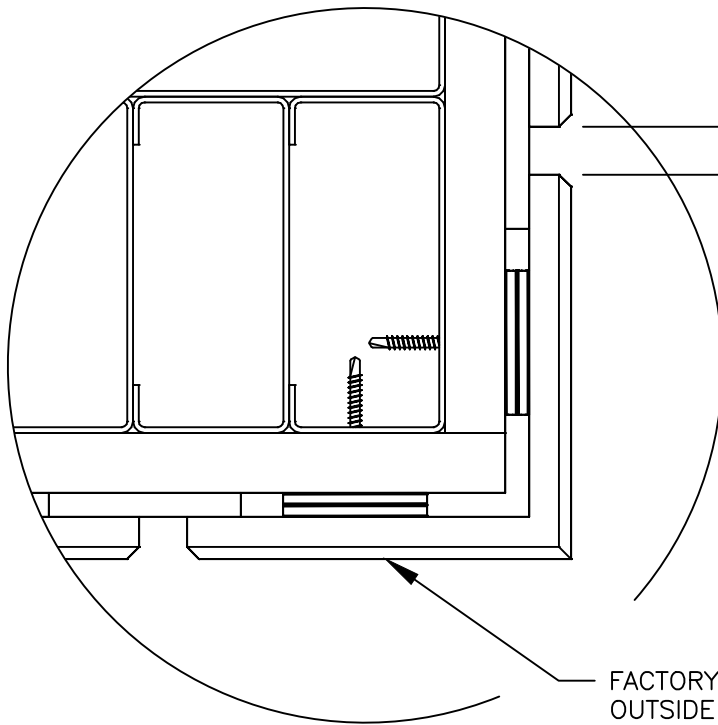


10 TYPICAL PANEL EDGE AT DOOR OR END CONDITION

WOOD WALL PANEL USING FACTORY SUPPLIED PANEL MOUNTING CLIPS.
FACTORY SUPPLIED PANEL MOUNTING CLIPS (21F004000) AND MOUNTING SCREWS (90H467002).



12 TYPICAL MOUNTING OF WALL PANEL



11 TYPICAL OUTSIDE CORNER

FACTORY ASSEMBLED OUTSIDE CORNER, INSTALLATION SIMILAR TO PANELS

10/20/11