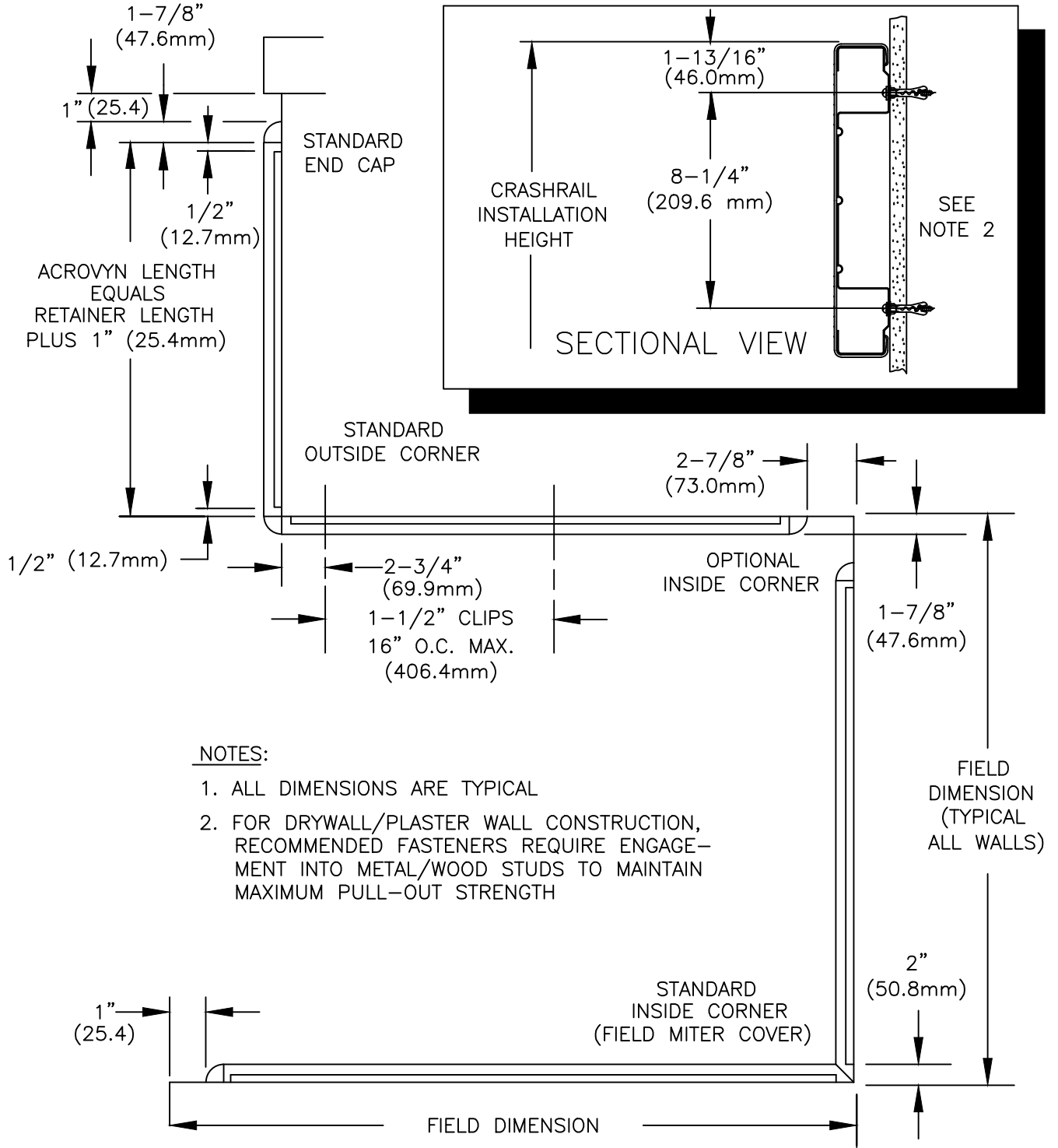


NOTE: MATERIAL MUST REACH 65°F MIN TO 75°F MAX 24 HOURS PRIOR TO INSTALLATION. THIS IS ESSENTIAL TO MINIMIZE EXPANSION AND CONTRACTION OF THE MATERIAL.



NOTES:

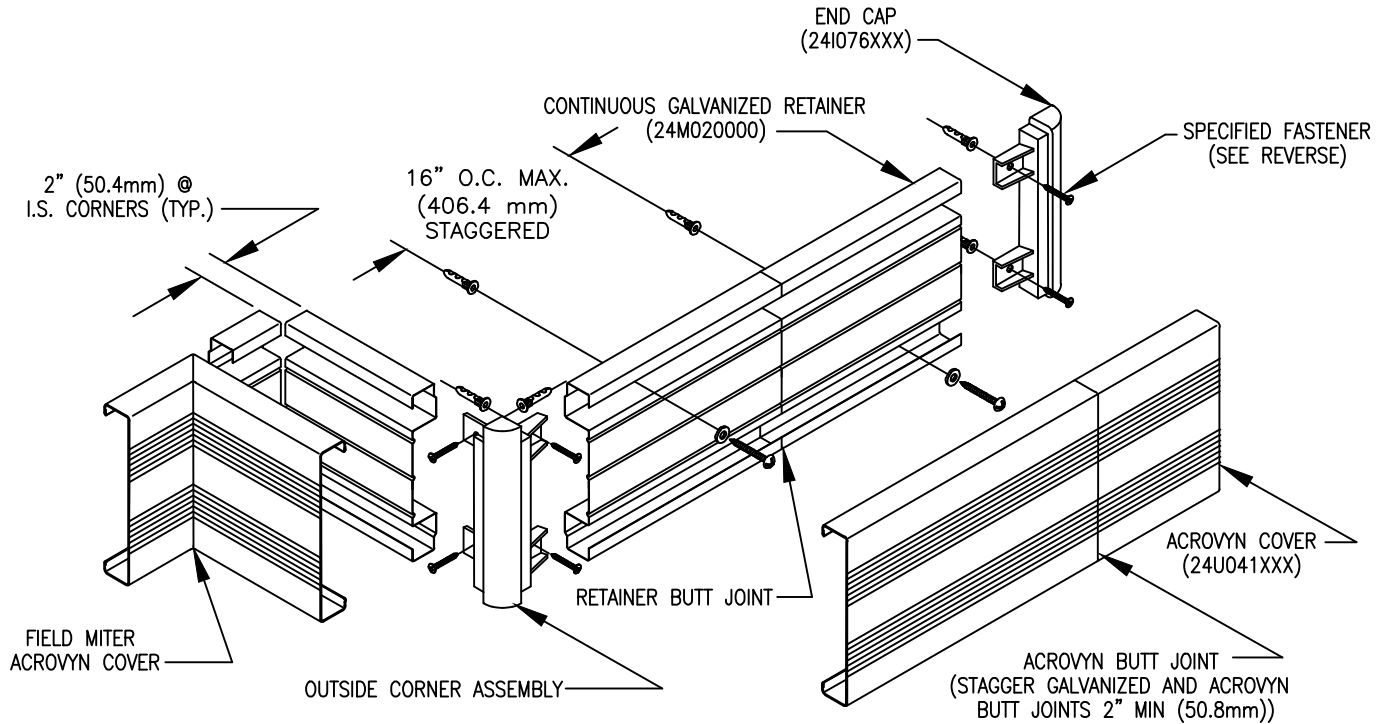
1. ALL DIMENSIONS ARE TYPICAL
2. FOR DRYWALL/PLASTER WALL CONSTRUCTION, RECOMMENDED FASTENERS REQUIRE ENGAGEMENT INTO METAL/WOOD STUDS TO MAINTAIN MAXIMUM PULL-OUT STRENGTH

WALL CONDITION	SPECIFIED FASTENER	DRILL DIAMETERS		C/S PART NUMBER
		WALL	RETAINER	
STEEL STUD/GYPSUM WALL	AF-6 PLASTIC ANCHOR #10 X 1-1/2" PHILLIPS PAN HD. SMS	15/64"	9/32"	90H039004 90H189002
CONCRETE/CONC. BLOCK	AF-6 PLASTIC ANCHOR #10 X 1-1/2" PHILLIPS PAN HD. SMS	1/4"	9/32"	90H039004 90H189002
WOOD STUD/GYPSUM WALL	#9 X 2 1/4" WAFER HD PH DRYWALL SCREW	N/A	N/A	90H421002

# INSTALLATION INSTRUCTIONS

## SCR-95

24HHS



1. ESTABLISH CRASHRAIL HEIGHT ABOVE FINISH FLOOR. DEDUCT 1 13/16" [46.0mm] AND SNAP A CHALK LINE AT THAT HEIGHT. PROVIDE A SECOND CHALK LINE 8 1/4" [209.7mm] BELOW FIRST LINE. THIS MARKS THE LOCATION OF THE BUMPER CUSHION AND RETAINER FASTENERS.
2. CUT THE CONTINUOUS GALVANIZED RETAINER, TO LENGTH, USING THE REQUIRED DEDUCTIONS AS NOTED. (SEE REVERSE) AND USING THE RETAINER AS A TEMPLATE, MARK THE FASTENER LOCATIONS ON THE WALL SURFACE.
3. DRILL CLEARANCE HOLES IN WALL SURFACE FOR MOUNTING HARDWARE. SEE REVERSE FOR DIMENSIONAL REQUIREMENTS.
4. INSTALL THE GALVANIZED RETAINER TO THE WALL SURFACE USING THE REQUIRED FASTENERS. (SEE REVERSE) USE A LEVEL TO INSURE THAT RETAINER IS PLUMB, AFTER INSTALLATION.
5. ATTACH END CAPS/OUTSIDE CORNERS BY ALIGNING THE END CAP/OUTSIDE CORNER WITH THE END OF THE GALV. RETAINER AND SECURING INTO POSITION USING TWO (2) ALLIGATOR FASTENERS AT EACH END CAP AND FOUR (4) AT EACH OUTSIDE CORNER (TWO (2) @ EA. LEG).
6. CUT THE ACROVYN COVER TO THE PROPER LENGTH. ALIGN THE TOP OF THE ACROVYN COVER WITH THE TOP OF THE GALVANIZED RETAINER AND SNAP THE GUARD ONTO THE BOTTOM SECTION OF THE RETAINER.  
NOTE: MANUFACTURER RECOMMENDS ALL PRINTED "PRODUCT IDENTIFICATION" ON THE REAR OF THE ACROVYN PROFILE SHALL BE ORIENTATED IN THE SAME DIRECTION DURING INSTALLATION TO INSURE PROPER ALIGNMENT AT SPLICE BUTT JOINTS.



Muncy, Pennsylvania • (800) 233-8493 • Fax (570) 546-5169  
Mississauga Ontario • (888) 895-8955 • Fax (905) 274-6241  
www.c-sgroup.com

10/19/11