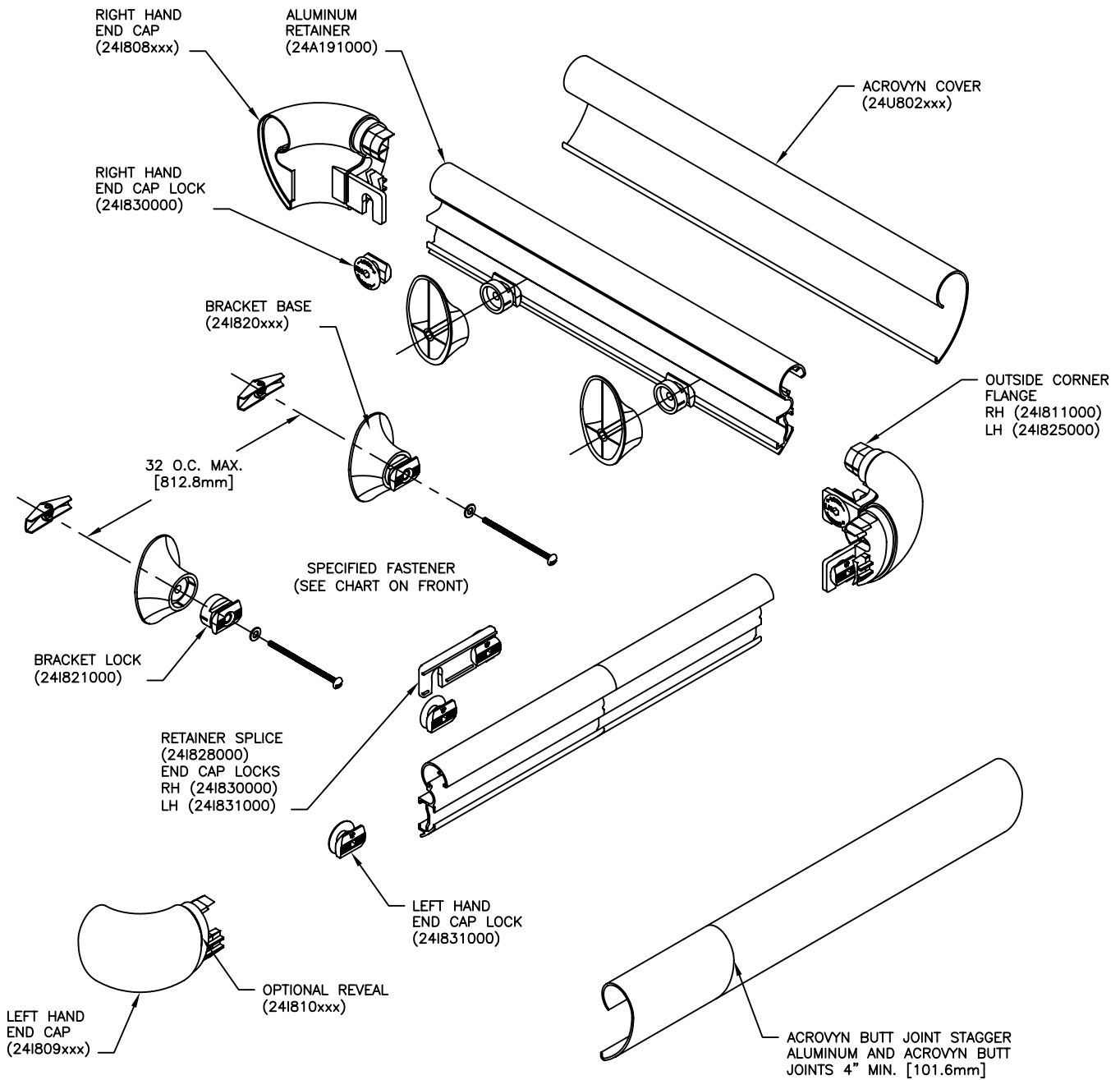


WALL CONDITION	SPECIFIED FASTENER	DRILL DIAMETERS		C/S PART NUMBER
		WALL	RETAINER	
STEEL STUD/GYPSUM WALL	1/4"-20 X 5" RD. HD. BOLT WITH FLAT WASHER 1/4" TOGGLER WING	3/4"	N/A	90H049002 90H024003 90H062004
CONCRETE/CONC. BLOCK	#14 X 5" PHILLIPS ROUND HEAD AP SCREW	3/16"	N/A	90H287002
WOOD STUD/GYPSUM WALL	#14 X 5" PHILLIPS ROUND HEAD AP SCREW	1/8"	N/A	90H287002



NOTES:

1. ALL DIMENSIONS ARE TYPICAL.
2. FOR DRYWALL/PLASTER WALL CONSTRUCTION, IT IS RECOMMENDED FOR FASTENERS TO BE ENGAGED INTO METAL/WOOD STUDS TO MAINTAIN MAXIMUM PULLOUT STRENGTH.
3. INSTALL OUTSIDE CORNERS FIRST.
4. ALUMINUM RETAINER SPLICE SHOULD NOT EXCEED 4" [101.6mm] DISTANCE FROM A BRACKET.
5. MATERIAL MUST REACH 65° MIN TO 75° MAX 24 HOURS PRIOR TO INSTALLATION. THIS IS ESSENTIAL TO MINIMIZE EXPANSION AND CONTRACTION OF THE MATERIAL.

1. ESTABLISH HANDRAIL HEIGHT ABOVE FINISH FLOOR. DEDUCT 2 1/2" [63.3mm] AND SNAP A CHALK LINE AT THAT HEIGHT. THIS MARKS THE LOCATION OF THE FASTENERS FOR THE HANDRAIL BRACKETS.
2. DETERMINE WALL FASTENER LOCATIONS BY USING THE REQUIRED DEDUCTIONS (SEE REVERSE) AND DRILL HOLE DIAMETER FOR SPECIFIED WALL FASTENERS (SEE NOTE 2).
3. SNAP A BRACKET LOCK INTO EACH BRACKET BASE. USING THE APPROPRIATE FASTENERS, ATTACH THE BRACKET ASSEMBLIES TO THE WALL AT THE PRE-DRILLED LOCATIONS. SEE ILLUSTRATION 1.

NOTE: IF YOUR ORDER IS A CUT-TO-SIZE JOB, GO TO STEP 5.

NOTE: IF YOUR ORDER IS A PRE-ASSEMBLED JOB, PERFORM STEP 5.

4. CUT THE CONTINUOUS ALUMINUM RETAINER TO LENGTH USING THE REQUIRED DEDUCTIONS AS NOTED (SEE REVERSE).
OPTIONAL: THE END CAPS AND COVERS MAY BE INSTALLED ONTO THE RETAINER FIRST, AND THE ASSEMBLY PLACED ONTO THE BRACKETS AS A COMPLETE UNIT AND THEN LOCKED INTO PLACE.
5. REST THE RETAINER ON THE BRACKET ASSEMBLIES. USING THE WRENCH PROVIDED, TWIST EACH LOCK 90° TO SECURE THE BRACKET BASE INTO PLACE. SEE ILLUSTRATIONS 1 THROUGH 4. USE A LEVEL TO ENSURE RETAINER IS LEVEL.
6. ATTACH END CAPS/OUTSIDE CORNERS TO THE RETAINER BY SLIDING THE END CAP/OUTSIDE CORNER ONTO THE END OF THE RETAINER AND SECURING INTO POSITION USING ONE (1) END CAP LOCK AT EACH END CAP AND TWO (2) AT EACH OUTSIDE CORNER. USING THE WRENCH PROVIDED, TWIST EACH LOCK 90° TO SECURE THE END CAP INTO PLACE. SEE ILLUSTRATIONS 5 THROUGH 8.
7. CUT THE ACROVYN COVERS TO THE PROPER LENGTH. THE COVER LENGTH IS DETERMINED BY MEASURING THE DISTANCE BETWEEN THE INSTALLED END CAPS AND/OR INSIDE/OUTSIDE CORNER ASSEMBLIES.

NOTE: IT IS RECOMMENDED THAT THE ACROVYN COVERS BE CUT SLIGHTLY LONGER (1/32" UP TO 5'-0", 1/16" OVER 5'-0") THEN THE MEASURED DISTANCE. THIS ADDITIONAL LENGTH WILL PROVIDE FOR A TIGHTER GUARD-TO-END CAP FIT.

8. ALIGN THE TOP OF THE HRB-35 ACROVYN COVER WITH THE TOP OF THE ALUMINUM RETAINER AND SNAP THE GUARD ONTO THE RETAINER.

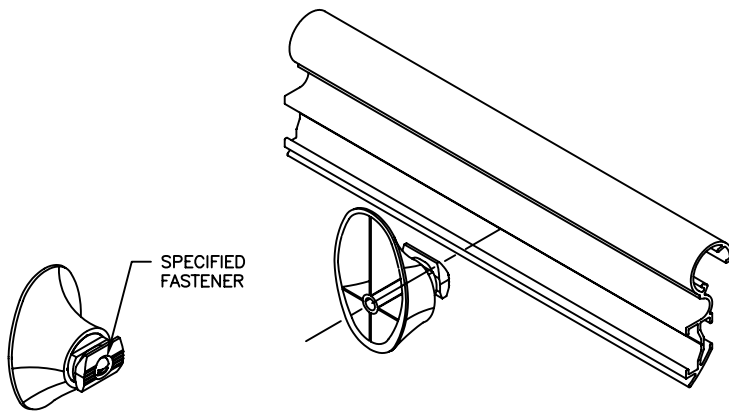


ILLUSTRATION 1

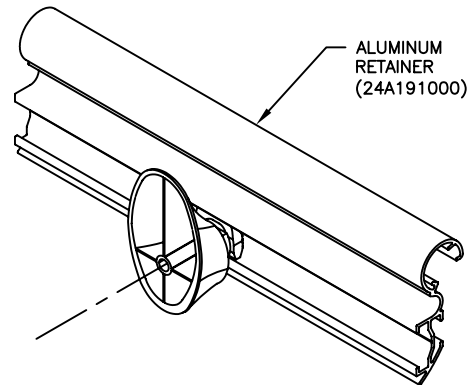


ILLUSTRATION 2

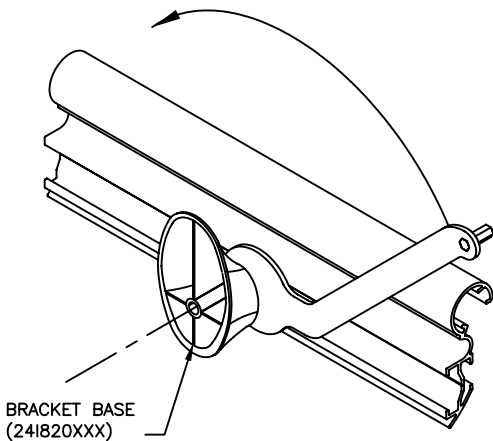


ILLUSTRATION 3

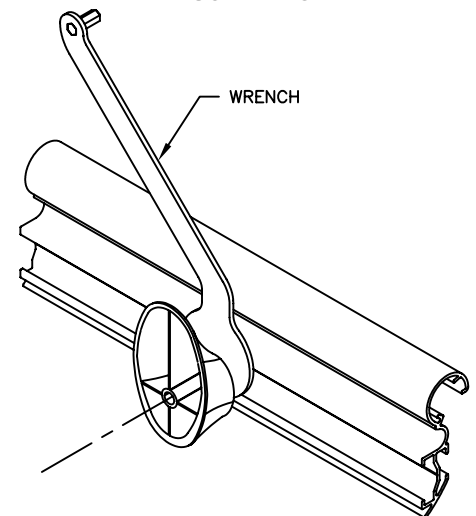


ILLUSTRATION 4

END CAP ATTACHMENT

ATTACH END CAPS/OUTSIDE CORNERS TO THE RETAINER BY SLIDING THE END CAP/OUTSIDE CORNER ONTO THE END OF THE RETAINER AND SECURING INTO POSITION USING ONE (1) END CAP LOCK AT EACH END CAP AND TWO (2) AT EACH OUTSIDE CORNER. USING THE WRENCH PROVIDED, TWIST EACH LOCK 90° TO SECURE THE END CAP INTO PLACE. SEE ILLUSTRATIONS BELOW.

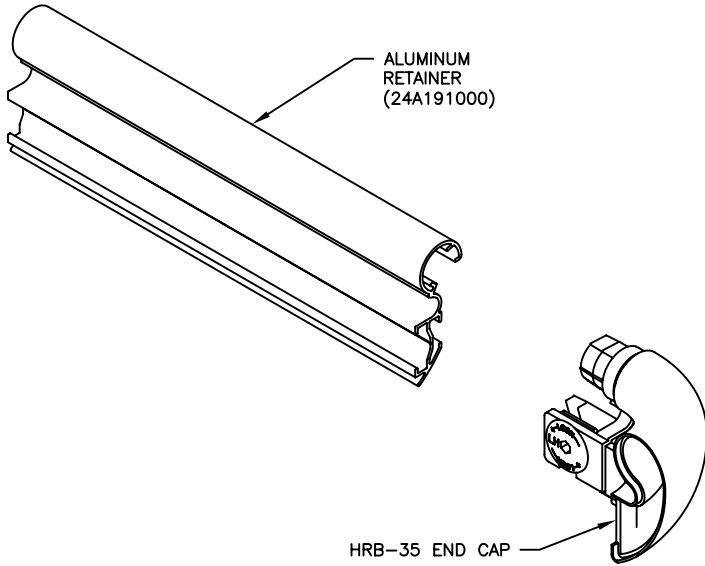


ILLUSTRATION 5

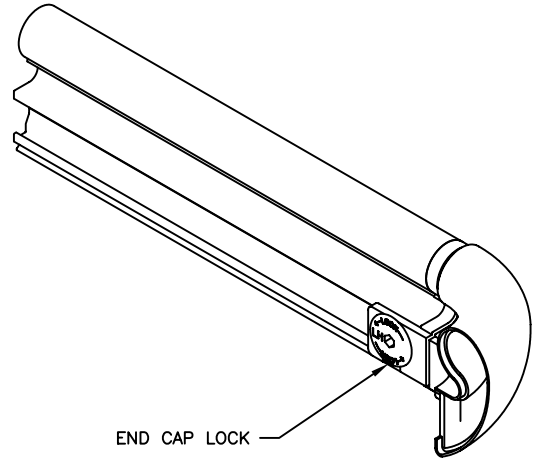


ILLUSTRATION 6

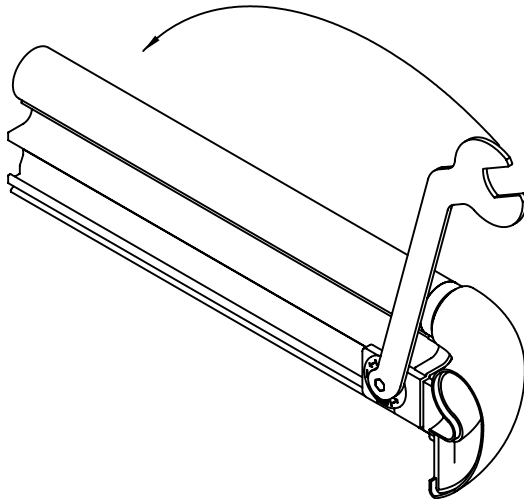


ILLUSTRATION 7

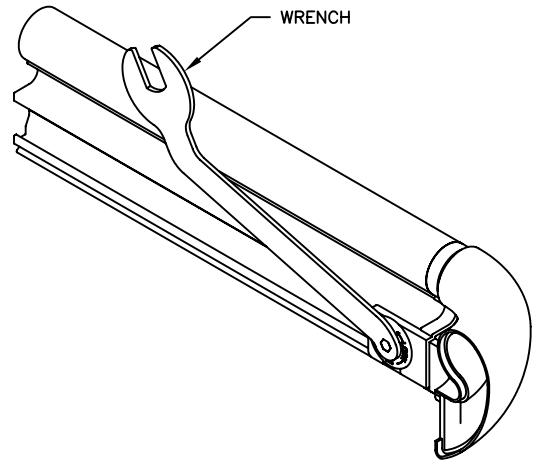


ILLUSTRATION 8

**CONSTRUCTION SPECIALTIES INC
DECOGARD PRODUCTS**

MUNCY, PENNSYLVANIA 17756
MISSISSAUGA, ONTARIO L5E 2C2

**A Member of the
CSGROUP
of Companies**

5/12/06

This document is the property of Construction Specialties, Inc. and contains CONFIDENTIAL PROPRIETARY INFORMATION that is not to be disclosed to third parties and is not to be used without approval in writing from Construction Specialties, Inc.