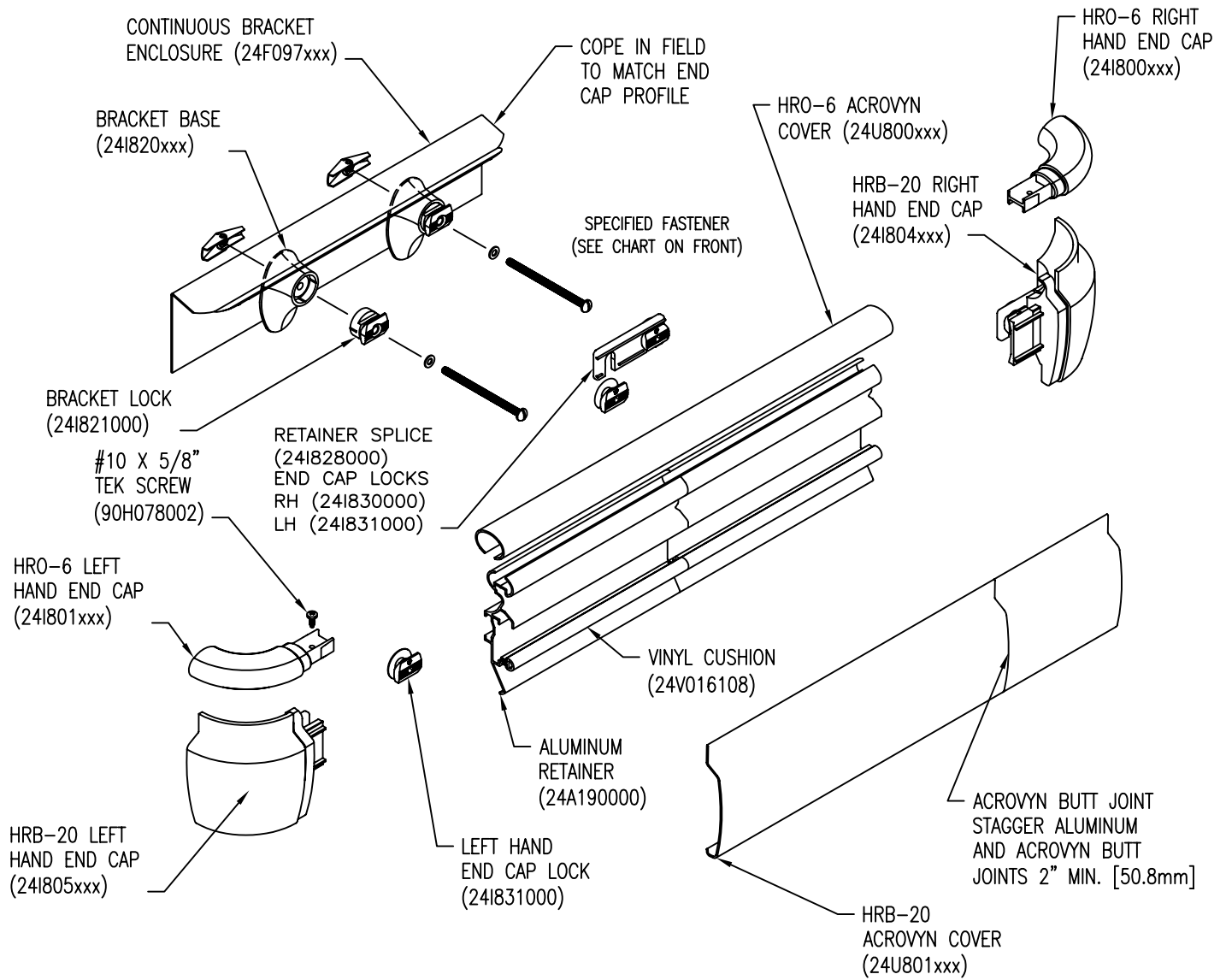


**NOTES:**

1. ALL DIMENSIONS ARE TYPICAL.
2. FOR DRYWALL/PLASTER WALL CONSTRUCTION, IT IS RECOMMENDED FOR FASTENERS TO BE ENGAGED INTO METAL/WOOD STUDS TO MAINTAIN MAXIMUM PULLOUT STRENGTH.
3. INSTALL OUTSIDE CORNERS FIRST.
4. ALUMINUM RETAINER SPLICE SHOULD NOT EXCEED 4" [101.6mm] DISTANCE FROM A BRACKET.
5. MATERIAL MUST REACH 65° MIN TO 75° MAX 24 HOURS PRIOR TO INSTALLATION. THIS IS ESSENTIAL TO MINIMIZE EXPANSION AND CONTRACTION OF THE MATERIAL.

WALL CONDITION	SPECIFIED FASTENER	DRILL DIAMETERS		C/S PART NUMBER
		WALL	RETAINER	
STEEL STUD/GYPSUM WALL	1/4-20 X 5" RD. HD. BOLT/TOGGLE WING	3/4"	N/A	90H049002
CONCRETE/CONC. BLOCK	#14 X 5" PH. RD. AP SCREW	3/16"	N/A	90H287002
WOOD STUD/GYPSOM WALL	#14 X 5" PH. RD. AP SCREW	1/8"	N/A	90H287002

# HRB-20 HANDRAIL INSTALLATION INSTRUCTIONS



**NOTE:** IF YOUR ORDER IS A CUT-TO-SIZE JOB, SKIP STEPS 1 AND 3.

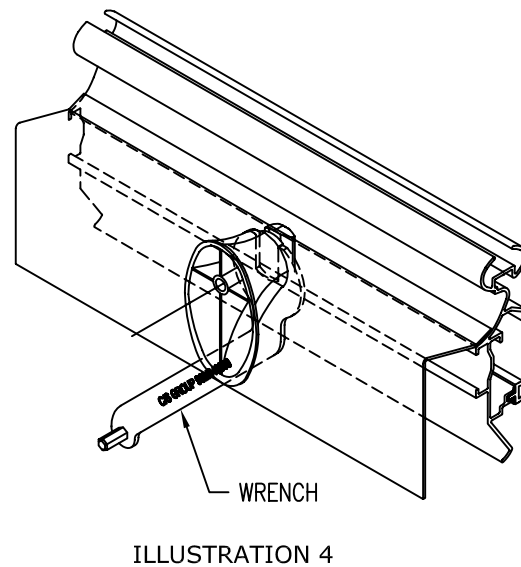
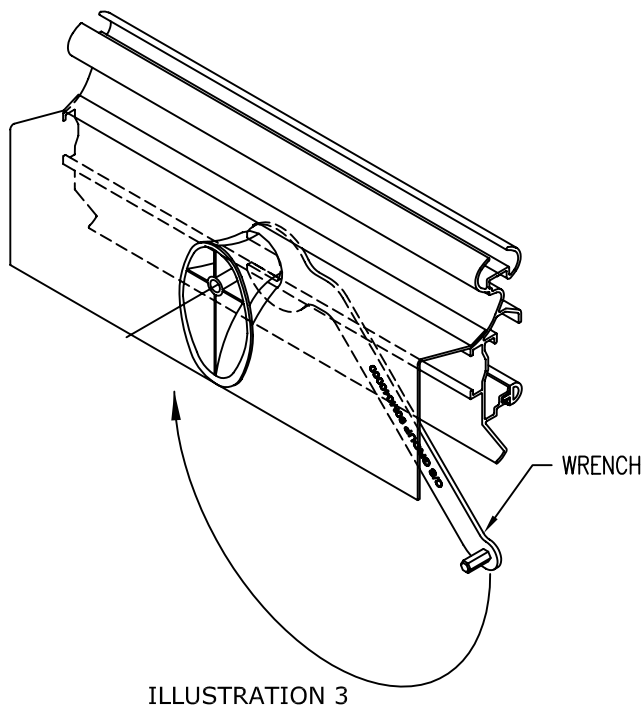
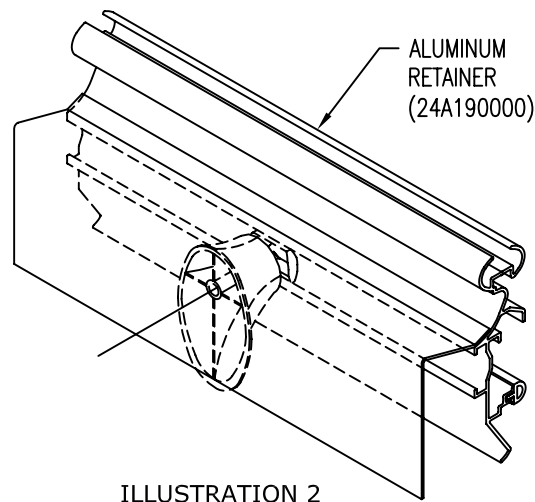
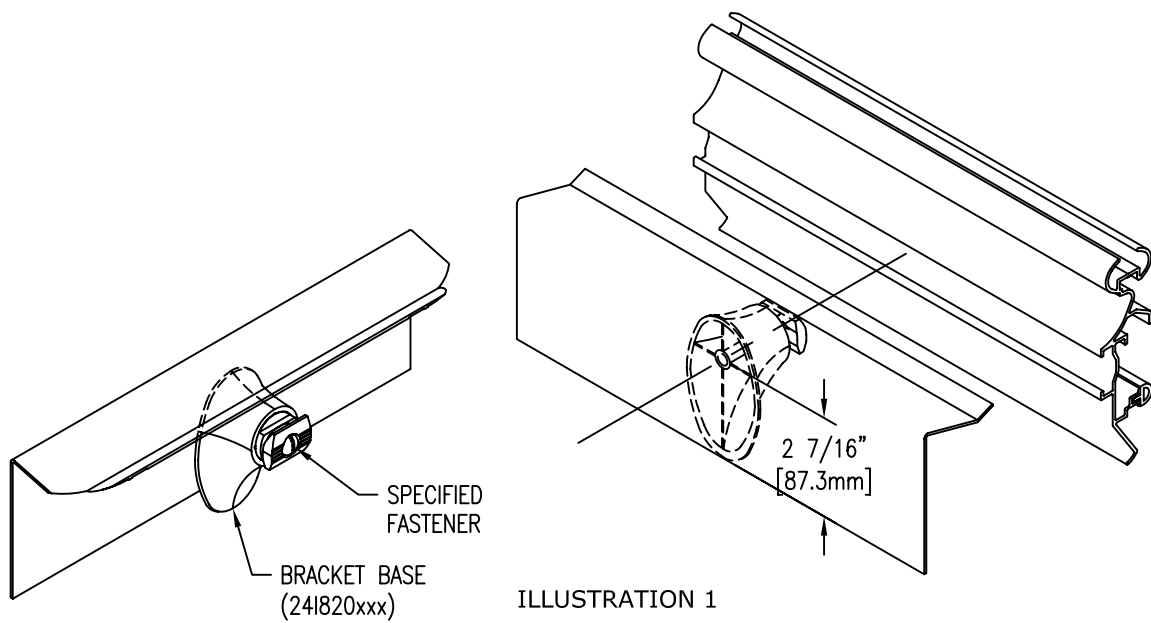
**NOTE:** IF YOUR ORDER IS A PRE-ASSEMBLED JOB, SKIP STEPS 1 TO 4.

- CUT THE CONTINUOUS ALUMINUM RETAINER AND THE CONTINUOUS BRACKET ENCLOSURE TO LENGTH USING THE REQUIRED DEDUCTIONS AS NOTED (SEE LAYOUT).
- ATTACH END CAPS/OUTSIDE CORNERS TO THE RETAINER BY SLIDING THE END CAP/OUTSIDE CORNER ONTO THE END OF THE RETAINER AND SECURING INTO POSITION USING ONE (1) END CAP LOCK AT EACH END CAP AND TWO (2) AT EACH OUTSIDE CORNER. USING THE WRENCH PROVIDED, TWIST EACH LOCK 90° TO SECURE THE END CAP INTO PLACE. SEE ILLUSTRATIONS 5 THROUGH 8.
 

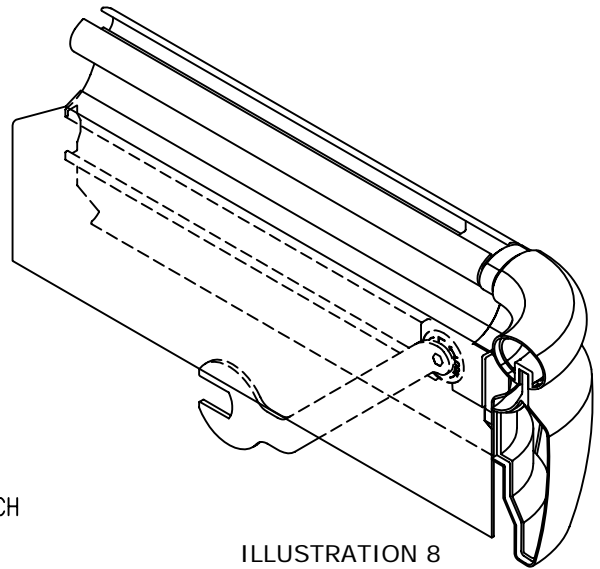
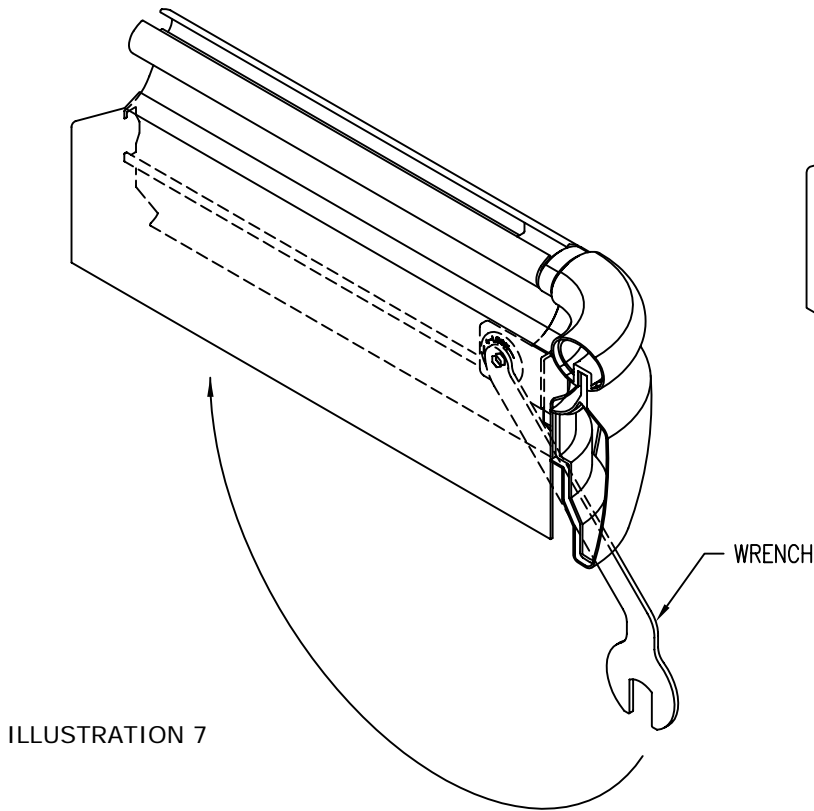
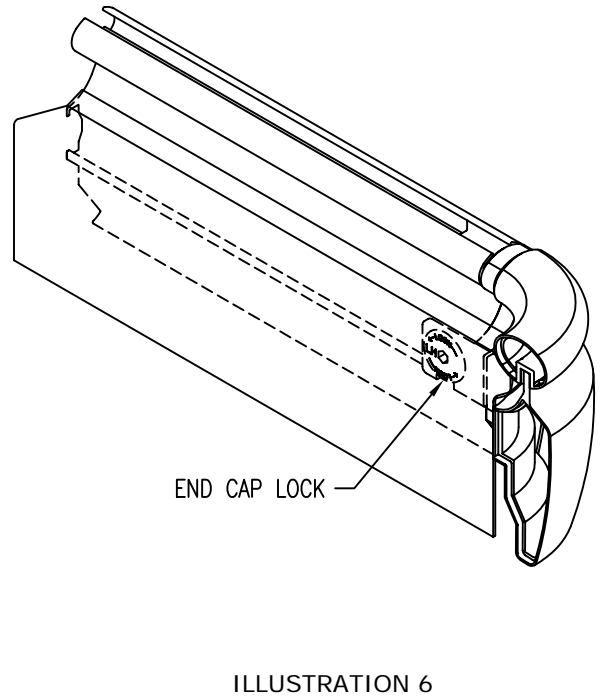
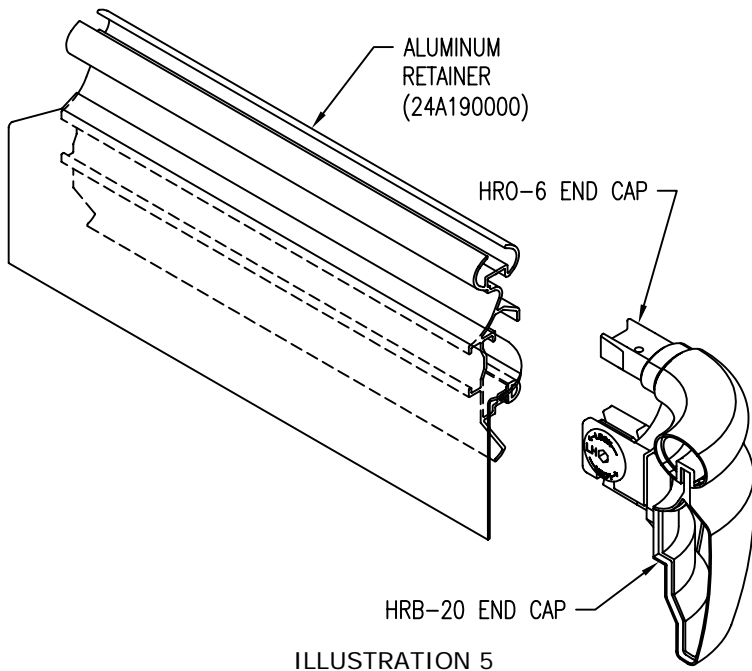
**NOTE:** IT IS IMPORTANT TO COPE THE ENDS OF THE BRACKET ENCLOSURE BEFORE ATTACHING END CAPS/OUTSIDE CORNERS. USING AN END CAP, SCRIBE BRACKET ENCLOSURE AND CUT WITH INDUSTRIAL SHEARS.
- CUT THE ACROVYN COVERS TO THE PROPER LENGTH. THE COVER LENGTH IS DETERMINED BY MEASURING THE DISTANCE BETWEEN THE INSTALLED END CAPS AND/OR INSIDE/OUTSIDE CORNER ASSEMBLIES.
 

**NOTE:** IT IS RECOMMENDED THAT THE ACROVYN COVERS BE CUT SLIGHTLY LONGER (1/32" UP TO 5'-0", 1/16" OVER 5'-0") THEN THE MEASURE DISTANCE. THIS ADDITIONAL LENGTH WILL PROVIDE FOR A TIGHTER GUARD-TO-END CAP FIT.
- ALIGN THE TOP OF THE ACROVYN COVER WITH THE TOP OF THE ALUMINUM RETAINER AND SNAP THE COVER ONTO THE RETAINER.
- ESTABLISH HANDRAIL HEIGHT ABOVE FINISH FLOOR. DEDUCT 2 13/16" [71.5MM] AND SNAP A CHALK LINE AT THAT HEIGHT. THIS MARKS THE LOCATION OF THE FASTENERS FOR THE HANDRAIL BRACKETS.
- DETERMINE WALL FASTENER LOCATIONS BY USING THE REQUIRED DEDUCTIONS (SEE SECTIONAL VIEW). DRILL HOLE DIAMETER FOR WALL FASTENERS IN THE CONTINUOUS BRACKET ENCLOSURE AND AT WALL FASTENER LOCATIONS (SEE NOTE 2).
- SNAP A BRACKET LOCK INTO EACH BRACKET BASE. USING THE APPROPRIATE FASTENERS, ATTACH THE BRACKET ASSEMBLIES AND CONTINUOUS BRACKET ENCLOSURES TO THE WALL AT THE PRE-DRILLED LOCATIONS. THE BRACKETS ARE TO BE INSTALLED IN A HORIZONTAL POSITION. SEE ILLUSTRATION 1.
- REST THE RETAINER ON THE BRACKET ASSEMBLIES. USING THE WRENCH PROVIDED, TWIST EACH LOCK 90° TO SECURE THE BRACKET BASE INTO PLACE. SEE ILLUSTRATIONS 2 THROUGH 4. USE A LEVEL TO ENSURE RETAINER IS LEVEL.

# HRB-20 HANDRAIL INSTALLATION INSTRUCTIONS



ATTACH END CAPS/OUTSIDE CORNERS TO THE RETAINER BY SLIDING THE END CAP/OUTSIDE CORNER ONTO THE END OF THE RETAINER AND SECURING INTO POSITION USING ONE (1) END CAP LOCK AT EACH END CAP AND TWO (2) AT EACH OUTSIDE CORNER. USING THE WRENCH PROVIDED, TWIST EACH LOCK 90° TO SECURE THE END CAP INTO PLACE. SEE ILLUSTRATIONS BELOW.



CONSTRUCTION SPECIALTIES INC  
DECOGARD PRODUCTS

MUNCY, PENNSYLVANIA 17756  
MISSISSAUGA ONTARIO L5E 2C2

A Member of the  
**CS GROUP**  
of Companies

7/7/05

This document is the property of Construction Specialties, Inc. and contains CONFIDENTIAL PROPRIETARY INFORMATION that is not to be disclosed to third parties and is not to be used without approval in writing from Construction Specialties, Inc.

FOR FURTHER ASSISTANCE CALL (800) 233-8493 OR FAX (570) 546-5169 OR IN CANADA CALL (888) 895-8955 OR FAX (905) 274-6241