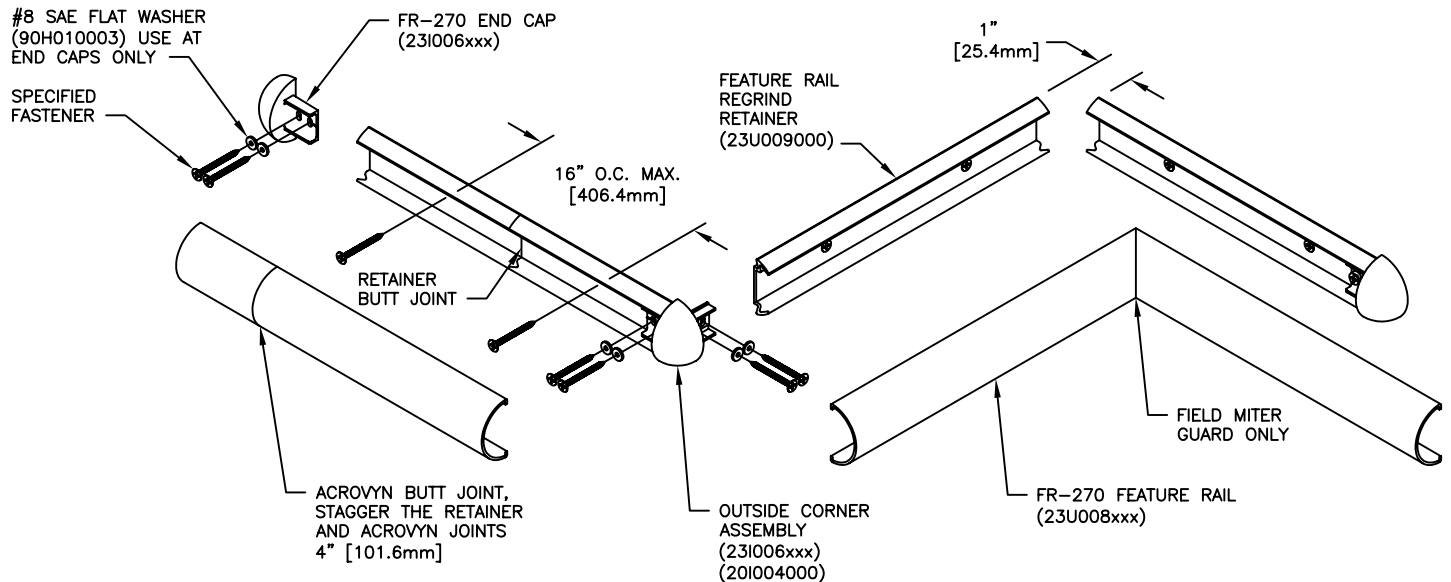


WALL CONDITION	SPECIFIED FASTENER	DRILL DIAMETERS		C/S PART NUMBER
		WALL	RETAINER	
CONCRETE/CONC. BLOCK	#10 X 1 1/2" PHILLIPS FLAT HEAD SMS AF-6 ALLIGATOR ANCHOR	N/A	1/8"	90H189002 90H039004
STEEL STUD/GYPSUM WALL	#6 x 1 5/8" BUGLE HEAD DRYWALL SCREW	1/4"	9/32"	90H079002
WOOD STUD/GYPSUM WALL	#6 x 1 5/8" BUGLE HEAD DRYWALL SCREW	N/A	1/8"	90H079002

# INSTALLATION INSTRUCTIONS

23H

## FR-270 ACCENT RAIL



1. ESTABLISH ACCENT RAIL HEIGHT ABOVE FINISH FLOOR. DEDUCT 1" [25.4mm] AND SNAP A CHALK LINE AT THAT HEIGHT. THIS MARKS THE LOCATION OF THE FASTENERS FOR THE VINYL RETAINER.
2. CUT THE CONTINUOUS RETAINER TO LENGTH USING THE REQUIRED DEDUCTIONS AS NOTED (SEE REVERSE). DRILL CLEARANCE HOLES FOR THE REQUIRED FASTENER AT 16" [406.4mm] O.C., AT THE V-GROOVE, ALONG THE RETAINER LENGTH.
3. USING THE VINYL RETAINER AS A TEMPLATE, MARK THE FASTENER LOCATIONS ALONG THE CHALK LINE AND DRILL HOLE DIAMETER (AS REQUIRED) AT THE PROPER LOCATIONS (SEE NOTE 2 ON REVERSE).
4. INSTALL EACH SECTION OF RETAINER ONTO THE WALL, IN SUCCESSION, USING THE APPROPRIATE FASTENERS (AS SPECIFIED ON REVERSE). USE A LEVEL TO ENSURE THE RETAINER IS LEVEL.
5. ATTACH END CAPS/OUTSIDE CORNERS BY ALIGNING THE END CAP/OUTSIDE CORNER WITH THE END OF THE RETAINERS AND SECURING INTO POSITION WITH TWO (2) FASTENERS AT EACH END CAP AND FOUR (4) AT EACH OUTSIDE CORNER. USE A FLAT WASHER WITH THE FASTENER TO PREVENT DAMAGE TO THE ALIGNMENT TABS. USE A LIMITED AMOUNT OF TORQUE WHEN USING POWER DRIVERS.

6. CUT THE ACROVYN COVER TO LENGTH. THE COVER LENGTH IS DETERMINED BY MEASURING THE DISTANCE BETWEEN THE INSTALLED END CAPS AND/OR OUTSIDE CORNER ASSEMBLIES.

**NOTE:** IT IS RECOMMENDED THAT THE ACROVYN COVERS BE CUT SLIGHTLY LONGER (1/32" [0.8MM] UP TO 5'-0" [1.5m], 1/16" [1.6mm] OVER 5'-0" [1.5m]) THAN THE MEASURED DISTANCE. THIS ADDITIONAL LENGTH WILL PROVIDE FOR A TIGHTER GUARD-TO-END CAP FIT.

7. ALIGN THE TOP OF THE ACROVYN COVER WITH THE TOP OF THE RETAINER AND SNAP THE GUARD ONTO THE RETAINER.

**NOTE:** MANUFACTURER RECOMMENDS ALL PRINTED "PRODUCT IDENTIFICATION" ON THE REAR OF THE ACROVYN PROFILE SHALL BE ORIENTED IN THE SAME DIRECTION DURING INSTALLATION TO ENSURE PROPER ALIGNMENT AT SPLICE BUTT JOINTS.

CONSTRUCTION SPECIALTIES INC  
DECOGARD PRODUCTS

MUNICIPALITY, PENNSYLVANIA 17756  
MISSISSAUGA ONTARIO L5E 2C2

A Member of the  
**CS GROUP**  
of Companies

8/8/05

This document is the property of Construction Specialties, Inc. and contains CONFIDENTIAL PROPRIETARY INFORMATION that is not to be disclosed to third parties and is not to be used without approval in writing from Construction Specialties, Inc.

FOR FURTHER ASSISTANCE CALL (800) 233-8493 OR FAX (570) 546-5169 OR IN CANADA CALL (888) 895-8955 OR FAX (905) 274-6241