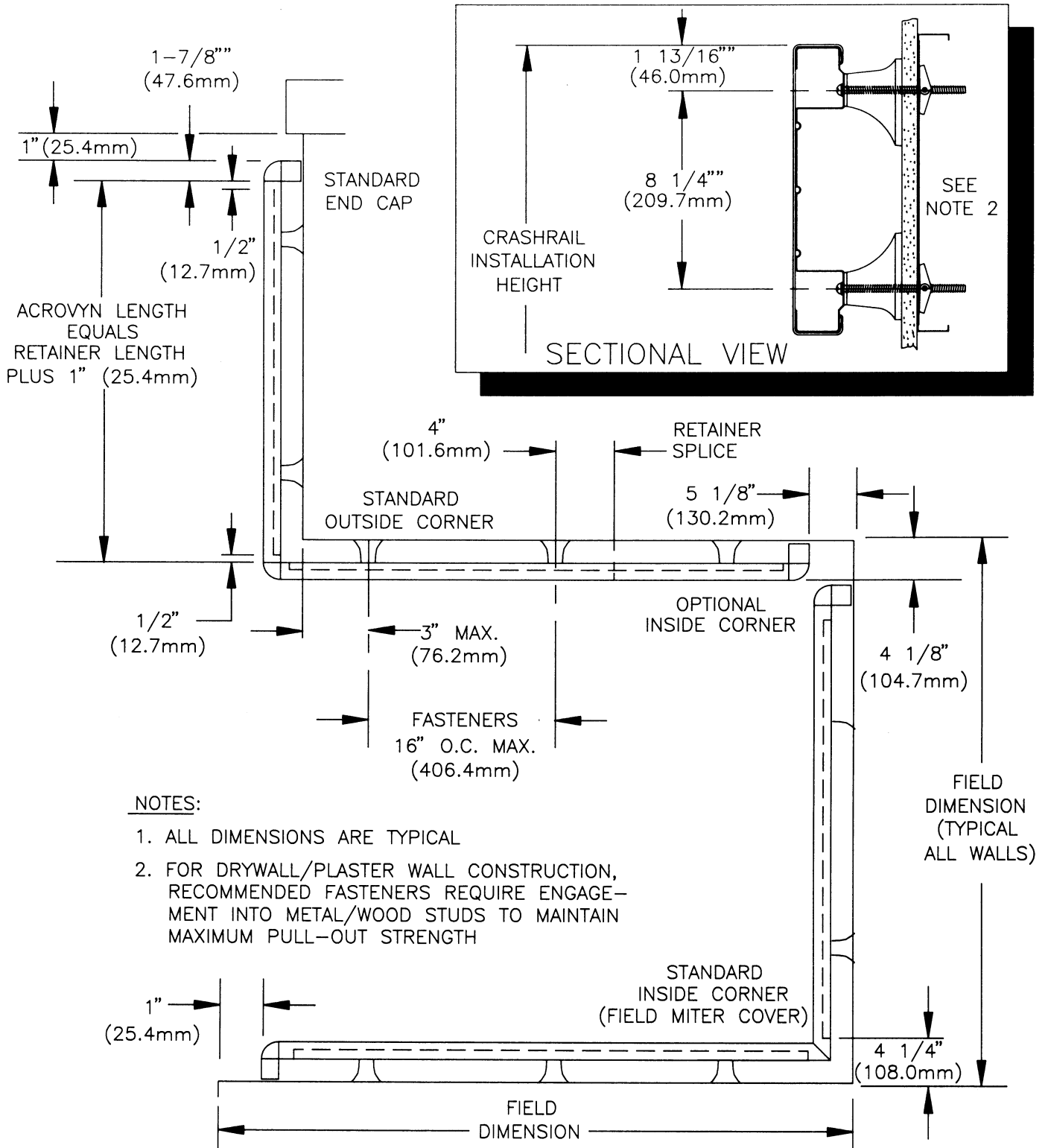


NOTE: MATERIAL MUST REACH 65°F MIN TO 75°F MAX 24 HOURS PRIOR TO INSTALLATION. THIS IS ESSENTIAL TO MINIMIZE EXPANSION AND CONTRACTION OF THE MATERIAL.



NOTES:

1. ALL DIMENSIONS ARE TYPICAL
2. FOR DRYWALL/PLASTER WALL CONSTRUCTION, RECOMMENDED FASTENERS REQUIRE ENGAGEMENT INTO METAL/WOOD STUDS TO MAINTAIN MAXIMUM PULL-OUT STRENGTH

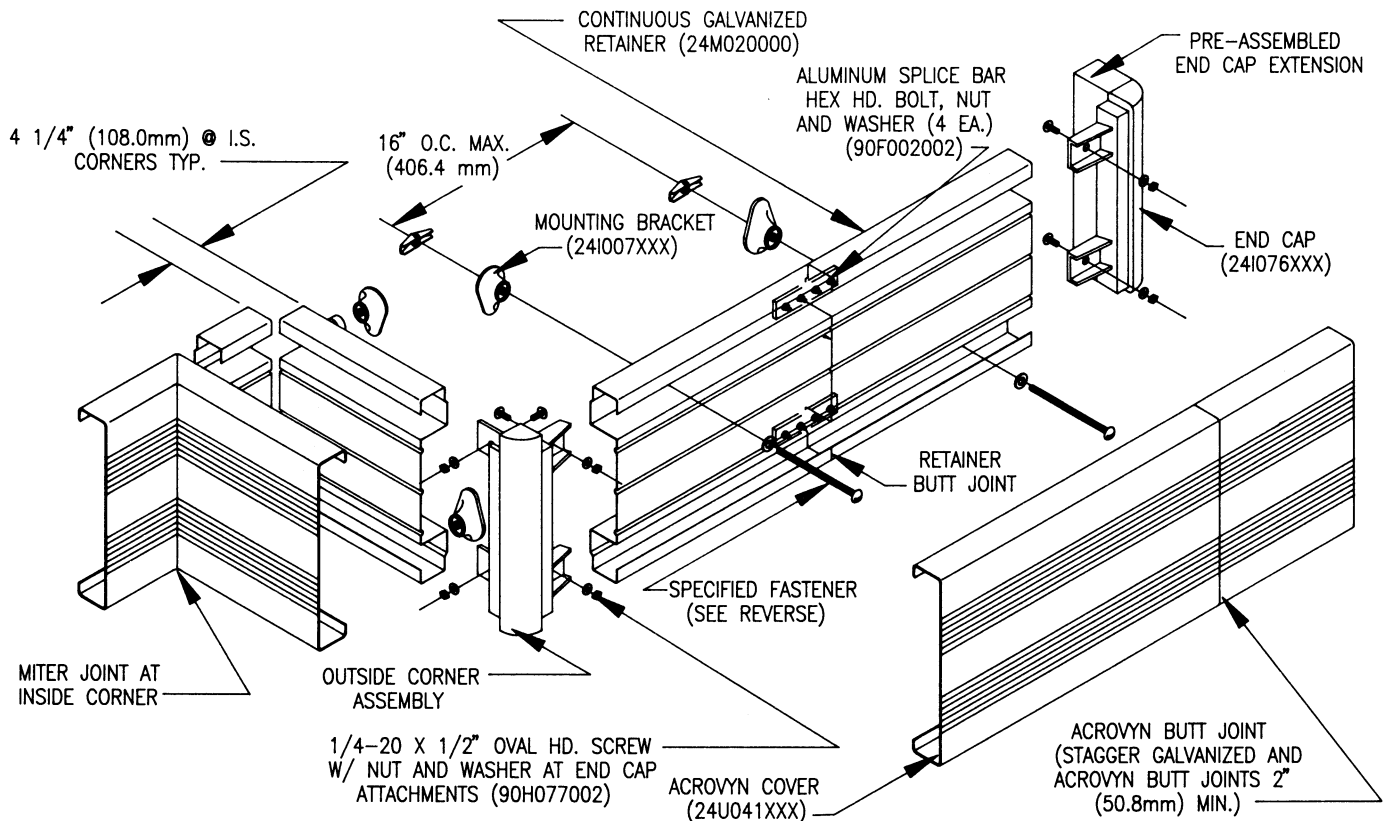
WALL CONDITION	SPECIFIED FASTENER	DRILL DIAMETERS		C/S PART NUMBER
		WALL	RETAINER	
STEEL STUD/GYPSUM WALL	1/4-20 X 5" RD. HD. BOLT	3/4"	9/32"	90H049002
CONCRETE/CONC. BLOCK	{ 1/4" X 4" MASONRY #15 X 4" PH. HD. AP SCREW }	+3/16"	9/32"	{ 90H042004 }
		7/32"		{ 90H225002 }
WOOD STUD/GYPSUM WALL	1/4" X 5" LAG SCREW	3/16"	9/32"	90H050002

* BIT SUPPLIED WITH FASTENERS

INSTALLATION INSTRUCTIONS

ECR-95

24HHE



1. ESTABLISH CRASHRAIL HEIGHT ABOVE FINISH FLOOR. DEDUCT 1-13/16" (46.0mm) AND SNAP A CHALK LINE AT THAT HEIGHT. PROVIDE A SECOND CHALK LINE 8-1/4" (209.7mm) BELOW FIRST LINE. THIS MARKS THE LOCATION OF THE MOUNTING BRACKETS AND GALVANIZED RETAINER FASTENERS.
2. CUT THE CONTINUOUS GALVANIZED RETAINER TO LENGTH USING THE REQUIRED DEDUCTIONS AS NOTED. SEE REVERSE AND PRE-DRILL CLEARANCE HOLES IN THE GALVANIZED RETAINER AS REQUIRED.
3. DRILL CLEARANCE HOLES IN WALL SURFACE FOR MOUNTING HARDWARE, USING THE RETAINER AS A TEMPLATE. SEE NOTE 2 ON REVERSE.
4. ATTACH END CAPS/OUTSIDE CORNERS BY ALIGNING THE END CAP/OUTSIDE CORNER WITH THE END OF THE GALV. RETAINER. USE TWO (2) 1/4-20 X 1/2" BOLTS AT EACH END CAP AND FOUR (4) AT EACH OUTSIDE CORNER (TWO (2) @ EA. LEG).
5. ATTACH THE RETAINER TO THE WALL SURFACE USING THE MOUNTING BRACKETS AND THE APPROPRIATE HARDWARE. USE A LEVEL TO ENSURE RETAINER IS PLUMB.
6. CUT THE ACROVYN COVER TO THE PROPER LENGTH. ALIGN THE TOP OF THE ACROVYN COVER WITH THE TOP OF THE ALUM. RETAINER AND SNAP THE GUARD ONTO THE BOTTOM SECTION OF THE RETAINER.
NOTE: MANUFACTURER RECOMMENDS ALL PRINTED "PRODUCT IDENTIFICATION" ON THE REAR OF THE ACROVYN PROFILE SHALL BE ORIENTED IN THE SAME DIRECTION DURING INSTALLATION TO ENSURE PROPER ALIGNMENT AT SPLICE BUTT JOINTS.

CONSTRUCTION SPECIALTIES, INC.

AND/OR

DecoGard Products, Inc.

MUNCY, PENNSYLVANIA 17756
VISTA, CALIFORNIA 92083
MISSISSAUGA, ONTARIO L5E 2C2

A member of the

CSGROUP

of companies

FOR FURTHER ASSISTANCE OR INQUIRIES CALL 1-888-834-4455 OR FAX 570-546-5169
OR IN CANADA CALL 1-888-895-8955 OR FAX 905-274-6241

4/99

This document is the property of Construction Specialties, Inc. and contains CONFIDENTIAL PROPRIETARY INFORMATION that is not to be disclosed to third parties and is not to be used without approval in writing from Construction Specialties, Inc.