

1. Acclimate all materials to room temperature 24 hours prior to installation. The materials should not be installed at ambient room temperatures below 65° F.
2. The installation surface must be thoroughly cleaned, free of dirt, grease, wax, and loose paint.
3. Establish door protection location by dry fitting materials to the door. Check door to frame clearance for any potential interference. It may be necessary to sand or plane the door to maintain proper door operation.

TAPE APPLICATIONS

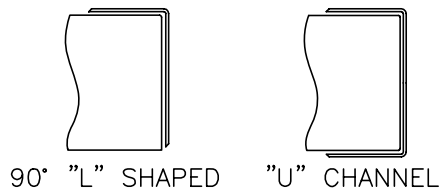
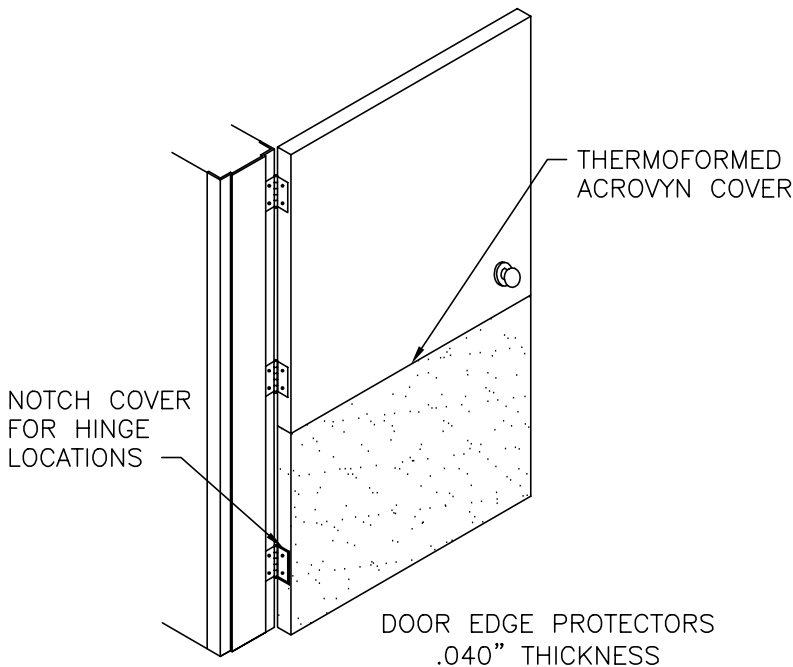
4. Masking tape may be utilized as a positioning guide during installation of the door protection.
5. Peel the paper backing from the back of the door protection and position it properly.
6. Apply pressure to the entire surface of the door protection. Pressure roll the materials to set the adhesive.

ADHESIVE APPLICATIONS

4. Mask area directly adjacent the door protection to avoid over spreading of the contact adhesive. Masking tape may also be utilized as a positioning guide during installation of the door protection materials.
5. Apply the contact adhesive to the door and door protection materials in accordance with the adhesive instructions.
6. Once the contact adhesive has dried, position the door protection on the door. Pressure roll the materials to set the adhesive.
7. Door Envelope protectors must be trimmed and beveled following installation. This is best done through use of a router with a "Laminate Tapered Trim Bit."

NOTE:

One 3DP unit equals one "L" shaped piece. Unless otherwise noted.



DON'T expose door protection to elevated temperatures or direct sunlight after the installation. This will cause the surface temperature to rise, which in turn will cause bubbles and delamination.

**DOOR ENVELOPE PROTECTORS**  
**.040" THICKNESS**

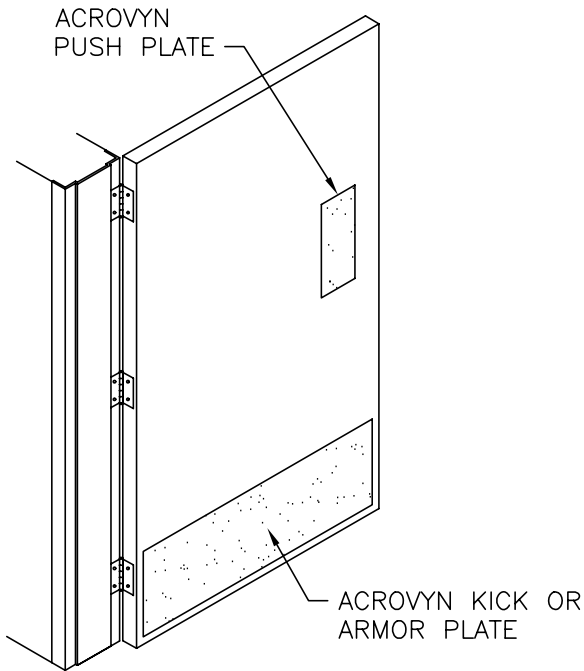
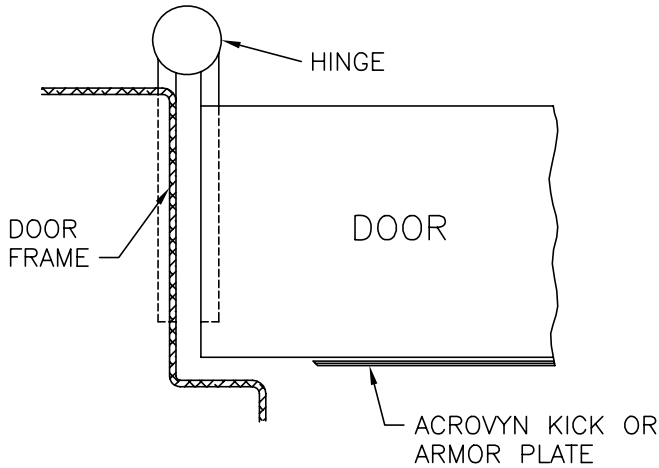


CONDITION	SPECIFIED FASTENER	QUANTITY	C/S PART NUMBER
WOOD & METAL DOORS	IB2100 TAPE  FASTBOND 30 ADHESIVE	FACTORY APPLIED	90M045002
		5 GALLON	90M016001
		1 GALLON	90M014001
		1 QUART	90M015001

# DOOR PROTECTION/KP SERIES

25J

.040" OR .060" THICKNESS



1. Acclimate all materials to room temperature 24 hours prior to installation. The materials should not be installed at ambient room temperatures below 65° F.

2. The installation surface must be thoroughly cleaned, free of dirt, grease, wax, and loose paint.

### TAPE APPLICATIONS

3. Masking tape may be utilized as a positioning guide during installation of the door protection.

4. Peel the paper backing from the back of the kickplate/armor plate and position it properly.

5. Apply pressure to the entire surface of the door protection. Pressure roll the materials.

### ADHESIVE APPLICATIONS

3. Mask area directly adjacent the door protection to avoid over spreading of the contact adhesive. Masking tape may also be utilized as a positioning guide during installation of the door protection materials.

4. Apply the contact adhesive to the door, and door protection materials, in accordance with the adhesive instructions.

5. Once the contact adhesive has dried, position the door protection on the door using the masking tape as a guide. Pressure roll the materials to set the adhesive.

DON'T expose door protection to elevated temperatures or direct sunlight after the installation. This will cause the surface temperature to rise, which in turn will cause bubbles and delamination.

CONDITION	SPECIFIED FASTENER	QUANTITY	C/S PART NUMBER
WOOD & METAL DOORS	IB2100 TAPE	FACTORY APPLIED	90M045002
	FASTBOND 30 ADHESIVE	5 GALLON	90M016001
		1 GALLON	90M014001
		1 QUART	90M015001

**CONSTRUCTION SPECIALTIES INC**  
**DECOGARD PRODUCTS**

MUNCY, PENNSYLVANIA 17756  
MISSISSAUGA, ONTARIO L5E 2C2

**A Member of the**  
**CS GROUP**  
**of Companies**

This document is the property of Construction Specialties, Inc. and contains CONFIDENTIAL PROPRIETARY INFORMATION that is not to be disclosed to third parties and is not to be used without approval in writing from Construction Specialties, Inc.

1/9/04

FOR FURTHER ASSISTANCE CALL (800) 233-8493 OR FAX (570) 546-5169 OR IN CANADA CALL (888) 895-8955 OR FAX (905) 274-6241