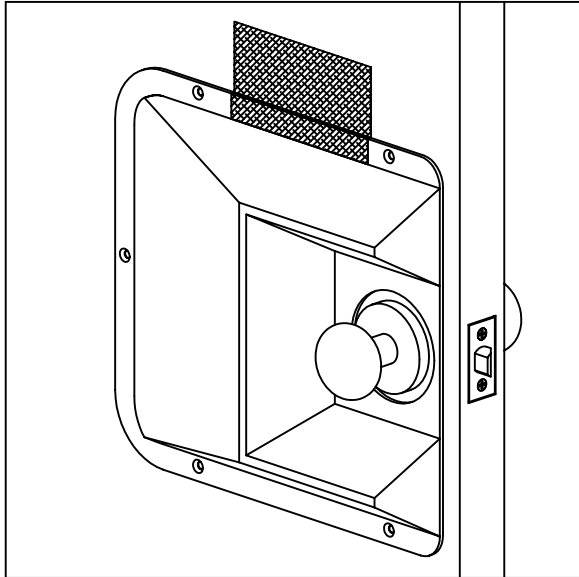


Model: DOOR KNOB PROTECTORS
DNP-01 THRU DNP-10

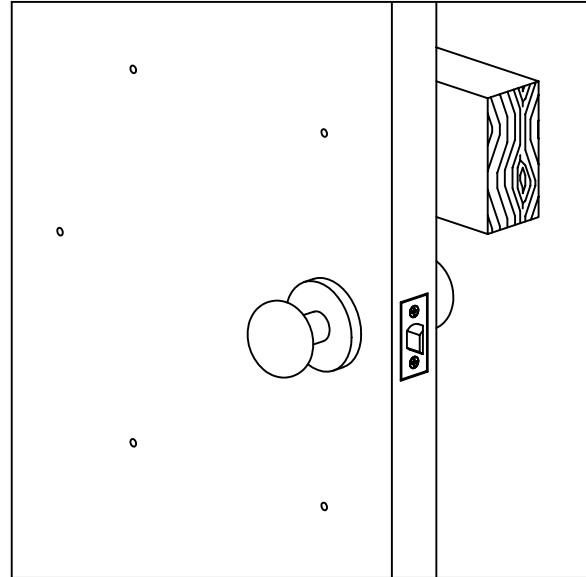
NOTE: MATERIAL MUST REACH 65°F MIN TO 75°F MAX 24 HOURS PRIOR TO INSTALLATION. THIS IS ESSENTIAL TO MINIMIZE EXPANSION AND CONTRACTION OF THE MATERIAL.

THE C/S GROUP Door Knob Protector with preformed countersink holes, is easily installed in less than 10 minutes. Installation can be completed with only the following tools.

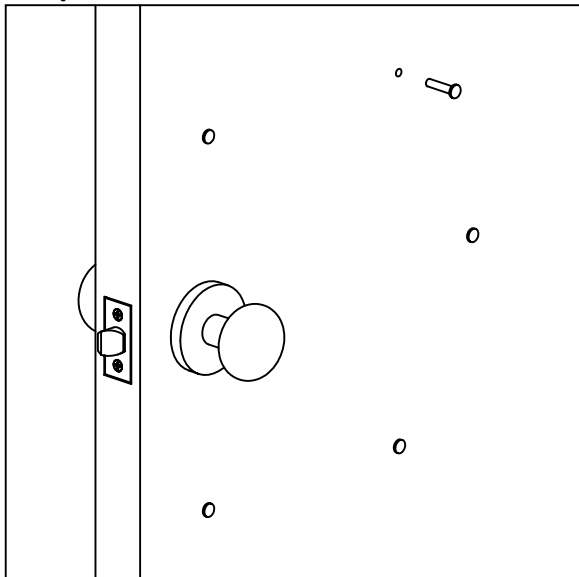
1. Portable drill and 7/32" drill bit
2. Level or square
3. Screwdriver
4. Marker or pencil
5. Clamp and wood block



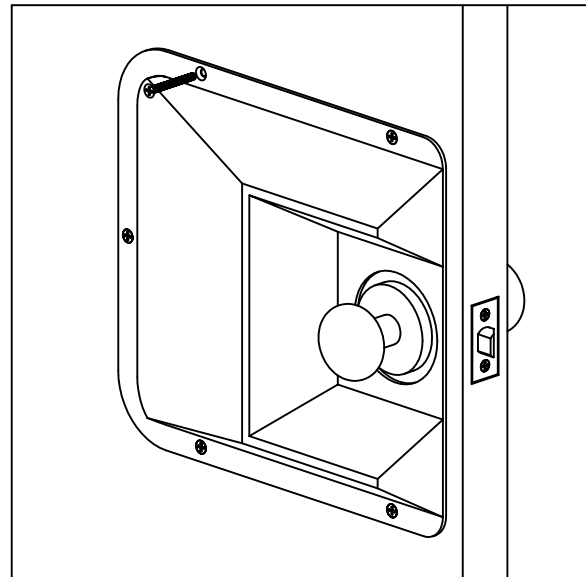
STEP 1. Locate Door Knob Protector by centering hole around doorknob. Level protector with door and mark location of holes. Masking tape may be used to hold protector in position during marking of hole locations.



STEP 2. Remove protector and carefully drill the 7/32" diameter holes, as located, through the door. Use a wood block at the rear side of the door to prevent chipping or bulging depending on door material.



STEP 3. Insert the Post Fasteners from the rear side of the door. Fit should be snug. Using a mallet, gently tap the post fasteners into the holes as far as possible.



STEP 4. Hold the doorknob protector in position and insert the screws. Tighten the screws until the protector is secure and the post fasteners are snug on the back side of the door.

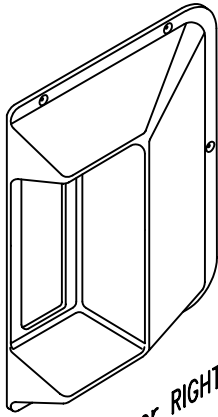
DOOR CONSTRUCTION	SPECIFIED FASTENER	DRILL DIAMETERS	C/S PART NUMBER
		DOOR	
HOLLOW METAL	1 3/4" LONG ALUMINUM SCREW POST	7/32"	90H016010
WOOD	1/2" LONG FLAT HEAD MACHINE SCREW (SLOTTED)		

INSTALLATION INSTRUCTIONS

25M

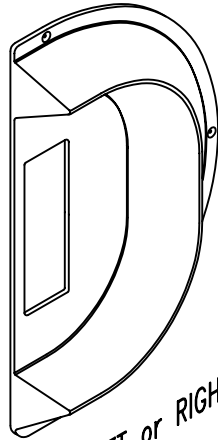
DOOR KNOB PROTECTORS

NOTE: Model DNP-01 (25M001XXX) Illustrated on the reverse side.



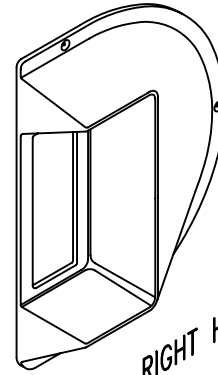
LEFT or RIGHT HAND

Model DNP-02 (25M002XXX)



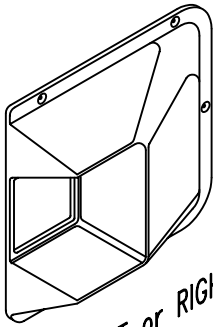
LEFT or RIGHT HAND

Model DNP-03 (25M003XXX)



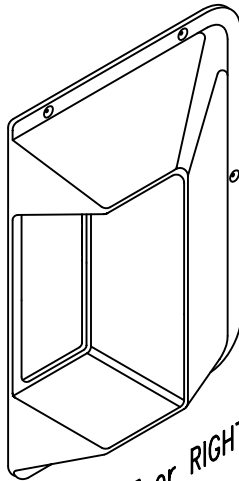
LEFT or RIGHT HAND

Model DNP-04 (25M004XXX)



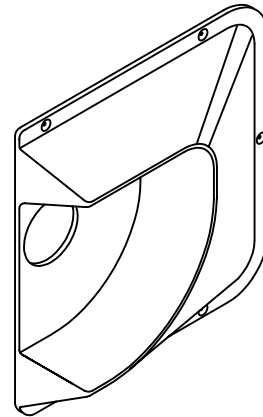
LEFT or RIGHT HAND

Model DNP-05 (25M005XXX)

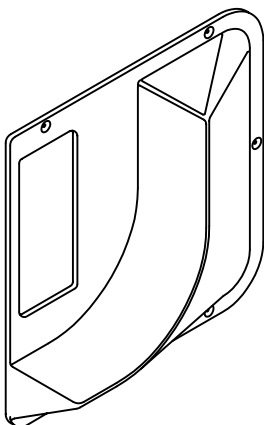


LEFT or RIGHT HAND

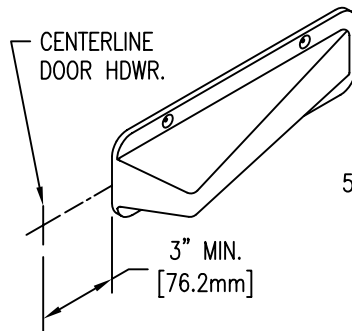
Model DNP-06 (25M006XXX)



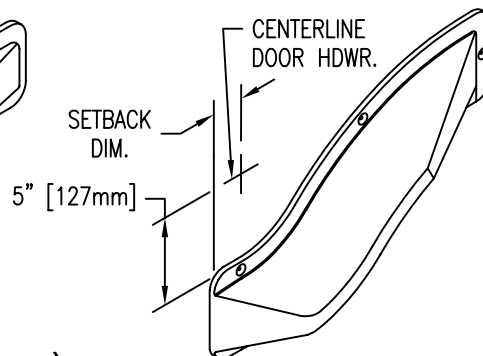
Model DNP-07L (25M010XXX)
Model DNP-07R (25M011XXX)



Model DNP-08L (25M012XXX)
Model DNP-08R (25M013XXX)



Model DNP-09 (25M014XXX)



Model DNP-10L (25M015XXX)
Model DNP-10R (25M016XXX)

CONSTRUCTION SPECIALTIES INC
DECOGARD PRODUCTS

MUNICIPALITY, PENNSYLVANIA 17756
MISSISSAUGA, ONTARIO L5E 2Z2

A Member of the
CS GROUP
of Companies

10/4/02

This document is the property of Construction Specialties, Inc. and contains CONFIDENTIAL PROPRIETARY INFORMATION that is not to be disclosed to third parties and is not to be used without approval in writing from Construction Specialties, Inc.

FOR FURTHER ASSISTANCE CALL (800) 233-8493 OR FAX (570) 546-5169 OR IN CANADA CALL (888) 895-8955 OR FAX (905) 274-6241