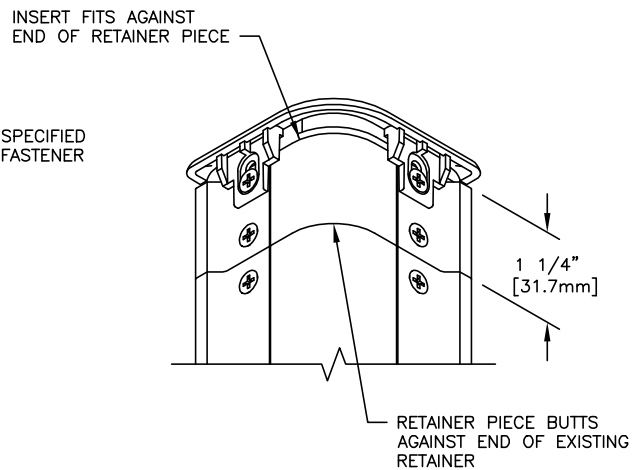
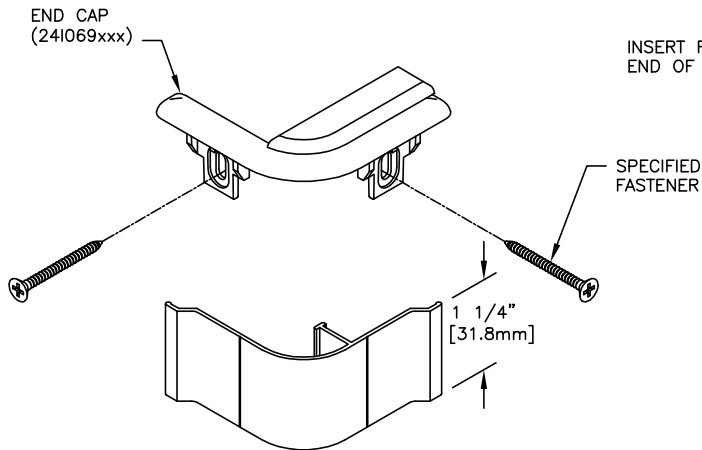
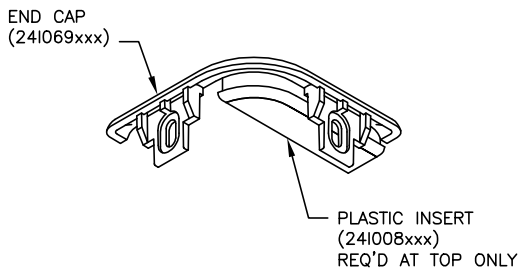
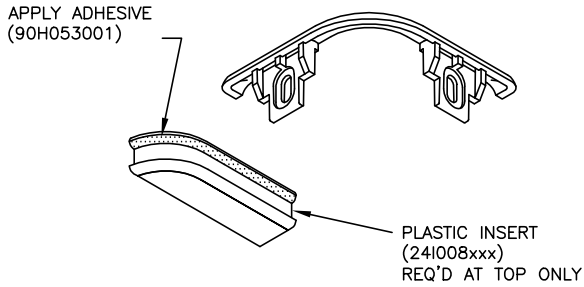


*for D1 DFP or D2 DFP  
REPLACEMENT OF OLD STYLE CORNER  
GUARD END CAP WITH NEW STYLE*



1. REMOVE ACROVYN CORNER GUARD AND EXISTING END CAPS.
2. BUTT THE 1 1/4" PIECE OF RETAINER AGAINST THE END OF THE EXISTING RETAINER AND ATTACH USING ENCLOSED FASTENERS.
3. THE PLASTIC INSERT, REQUIRED AT THE TOP ONLY, MAY NEED TO BE TRIMMED TO LENGTH, DEPENDING ON THE WIDTH OF DOOR FRAME. BEGIN INSTALLATION BY GLUEING THE PLASTIC INSERT CLOSURE TO TOP END CAP, PAYING ATTENTION TO WHERE ASSEMBLY WILL BE USED.
4. USING THE ACROVYN COVER AS A TEMPLATE, ALIGN END CAP ASSEMBLY WITH THE RETAINER.
5. INSTALL FASTENERS.
6. SNAP ON NEW OR EXISTING ACROVYN COVER.

CONSTRUCTION SPECIALTIES INC  
DECOGARD PRODUCTS

MUNCY, PENNSYLVANIA 17756  
MISSISSAUGA ONTARIO L5E 2C2

A Member of the  
**CSGROUP**  
of Companies

1/16/04

This document is the property of Construction Specialties, Inc. and contains CONFIDENTIAL PROPRIETARY INFORMATION that is not to be disclosed to third parties and is not to be used without approval in writing from Construction Specialties, Inc.