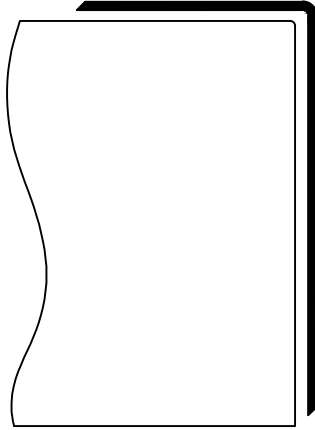
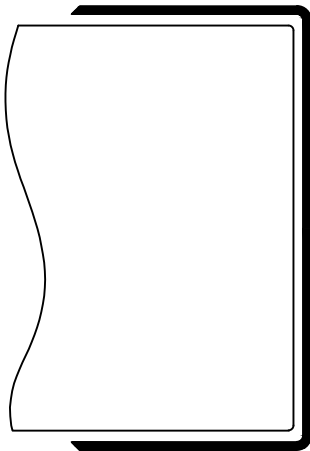


SSA-90, SSC-90, SSA-93, SSC-93



SSA-90 & SSA-93

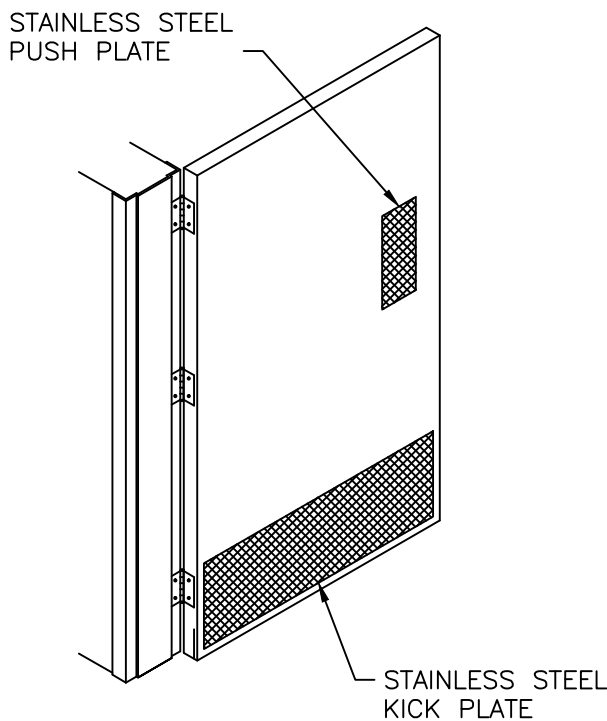
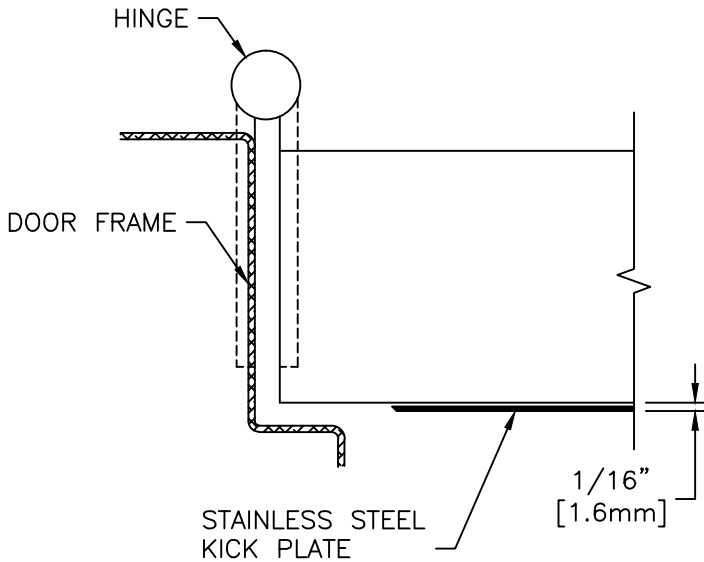


SSC-90 & SSC-93

1. Acclimate all materials to room temperature 24 hours prior to installation. The materials should not be installed at ambient room temperatures below 65° F.
2. The installation surface must be thoroughly cleaned; free of dirt, grease, wax, and loose paint.
3. Establish door protection location by dry fitting materials to the door. Check door to frame clearance for any potential interference. It may be necessary to sand or plane the door to maintain proper door operation.
4. Mask area directly adjacent the door protection to avoid overspreading of the contact adhesive. Masking tape may also be utilized as a positioning guide during installation of the door protection materials.
5. Apply the contact cement to the door, and door protection materials, in accordance with the adhesive instructions.
6. Once the contact cement has dried, in accordance with the adhesive instructions, carefully position the door protection on the door using the masking tape as a guide. Pressure roll the materials to set the adhesive. It is important to know that once contact is made with the adhesive the door protection cannot be moved.

CONDITION	SPECIFIED FASTENER	QUANTITY	C/S PART NUMBER
WOOD & METAL DOORS	FASTBOND 30 ADHESIVE	5 GALLON 1 GALLON 1 QUART	90M016001 90M014001 90M015001

STAINLESS STEEL PUSH & KICK PLATES



1. Acclimate all materials to room temperature 24 hours prior to installation. The materials should not be installed at ambient room temperatures below 65° F.
2. The installation surface must be thoroughly cleaned; free of dirt, grease, wax, and loose paint.
3. Mask area directly adjacent the door protection to avoid overspreading of the contact adhesive. Masking tape may also be utilized as a positioning guide during installation of the door protection materials.
4. Apply the contact cement to the door, and door protection materials, in accordance with the adhesive instructions.
5. Once the contact cement has dried, in accordance with the adhesive instructions, position the door protection on the door using the masking tape as a guide. Pressure roll the materials to set the adhesive. It is important to know that once contact is made with the adhesive the kickplate cannot be moved.

NOTE: GRAIN DIRECTION TO RUN VERTICALLY.

CONDITION	SPECIFIED FASTENER	QUANTITY	C/S PART NUMBER
WOOD & METAL DOORS	FASTBOND 30 ADHESIVE	5 GALLON 1 GALLON 1 QUART	90M016001 90M014001 90M015001