

FIRE RATED DOOR PROTECTION

PLEASE READ

PLEASE READ THESE INSTRUCTIONS THOROUGHLY PRIOR TO BEGINNING THE FIRE RATED DOOR PROTECTOR INSTALLATION!

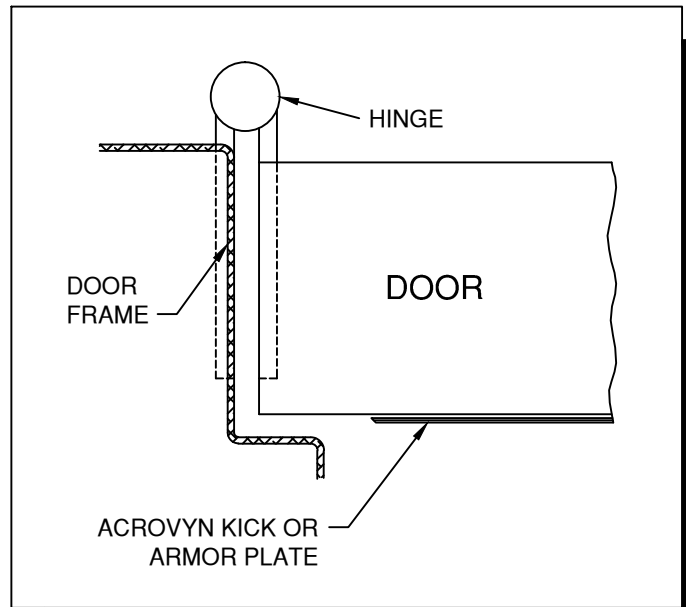
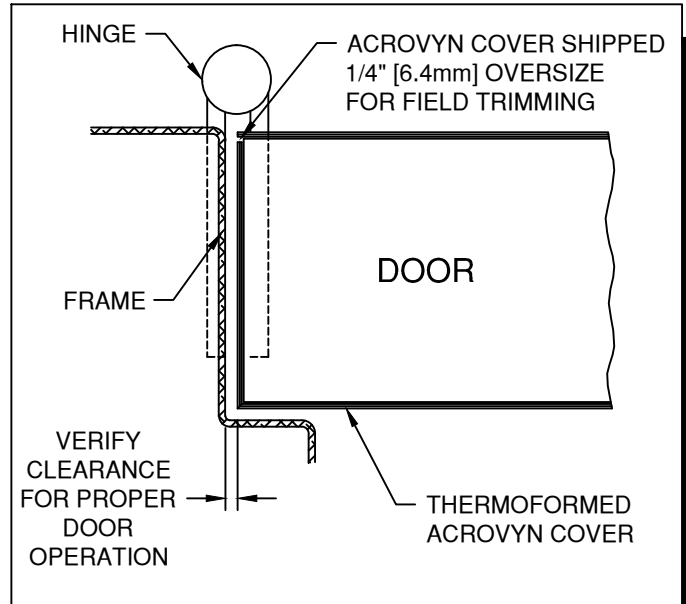
THIS INSTRUCTION SHEET IS INTENDED TO PROVIDE A SPECIFIC GUIDE TO FOLLOW FOR THE INSTALLATION OF FIRE RATED DOOR PROTECTORS. CONTAINED WITHIN IS THE TECHNICAL INFORMATION AND INSTALLATION TECHNIQUES REQUIRED TO COMPLETE AN EFFICIENT, NEAT AND LONG-LASTING INSTALLATION.


FIRE RATED PROTECTORS MUST BE INSTALLED IN ACCORDANCE WITH THESE INSTRUCTIONS! FAILURE TO FOLLOW THESE INSTRUCTIONS MAY VOID ANY PRODUCT WARRANTIES AND RESULT IN AN UNSUCCESSFUL INSTALLATION. FOR SPECIFIC QUESTIONS REGARDING THE INSTALLATION OF FIRE RATED DOOR PROTECTORS PLEASE CALL THE FACTORY AT (800) 233-8493 OR IN CANADA (888) 895-8955.

INSPECT ALL MATERIALS FOR DAMAGE OR MISSING PARTS. IF YOU DISCOVER DAMAGED OR MISSING MATERIALS, IN THE USA PLEASE NOTIFY THE FACTORY AT (800) 233-8493, AND IN CANADA (888) 895-8955.


IMPORTANT NOTES

1. ALL DIMENSIONS ARE TYPICAL.
2. MATERIAL MUST REACH 65°F MIN. TO 75°F MAX. 24 HOURS PRIOR TO INSTALLATION. THIS IS ESSENTIAL TO MINIMIZE EXPANSION AND CONTRACTION OF MATERIAL.
3. DO NOT EXPOSE DOOR PROTECTION TO ELEVATED TEMPERATURES OR DIRECT SUNLIGHT AFTER INSTALLATION. THIS WILL CAUSE THE SURFACE TEMPERATURE TO RISE, WHICH IN TURN WILL CAUSE BUBBLES AND DELAMINATION.
4. ONE 3DP UNIT EQUALS ONE "L" SHAPED PIECE, UNLESS OTHERWISE NOTED.
5. ONE WH (WARNOCK HERSEY) LABEL AND COMPANY IDENTIFIER PER DOOR FRAME ASSEMBLY.





Intertek
W/N 20396



Construction Specialties™
347 S. Broad Street, Hughesville PA 17737
(800) 233-8493 • Fax (570) 546-5169 • www.c-sgroup.com

NEW ACROVYN FIRE DOOR
AND DOOR FRAME CLADDING

MEETS REQUIREMENTS FOR:
CAN4 S104 (1985), NFPA 252 (2008), UL 10C (2009)

SEE INSTALLATION INSTRUCTIONS

FIRE RATED DOOR PROTECTION

DP & EP SERIES

1. ACCLIMATE ALL MATERIALS TO ROOM TEMPERATURE 24 HOURS PRIOR TO INSTALLATION. THE MATERIALS SHOULD NOT BE INSTALLED AT AMBIENT ROOM TEMPERATURES BELOW 65° F.
2. THE INSTALLATION SURFACE MUST BE THOROUGHLY CLEANED, FREE OF DIRT, GREASE, WAX, AND LOOSE PAINT.
3. ESTABLISH DOOR PROTECTION LOCATION BY DRY FITTING MATERIALS TO THE DOOR. CHECK DOOR TO FRAME CLEARANCE FOR ANY POTENTIAL INTERFERENCE. IT MAY BE NECESSARY TO SAND OR PLANE THE DOOR TO MAINTAIN PROPER DOOR OPERATION.

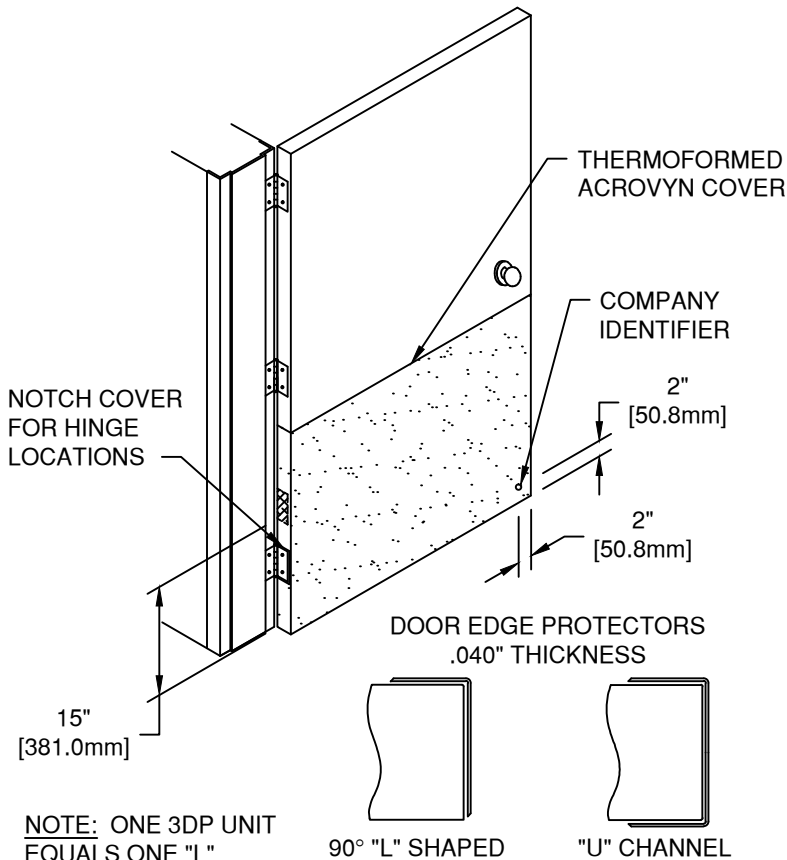
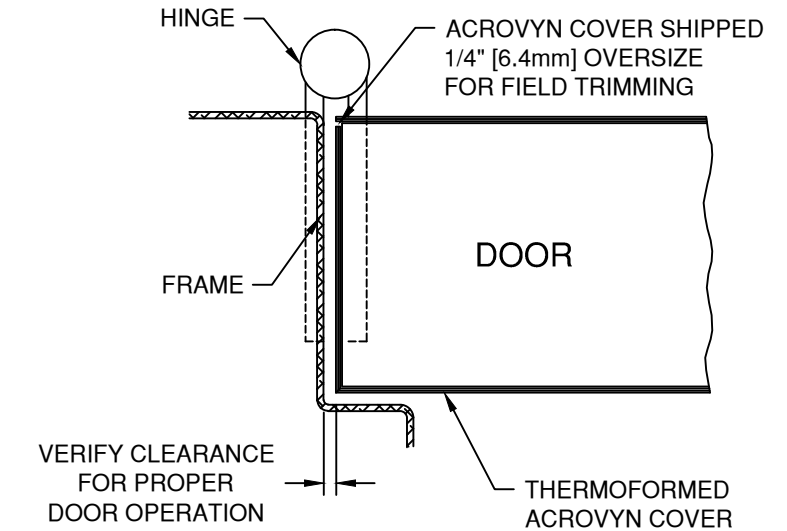
TAPE APPLICATIONS

4. MASKING TAPE MAY BE UTILIZED AS A POSITIONING GUIDE DURING INSTALLATION OF THE DOOR PROTECTION.
5. PEEL THE PAPER BACKING FROM THE BACK OF THE DOOR PROTECTION AND POSITION IT PROPERLY.
6. APPLY PRESSURE TO THE ENTIRE SURFACE OF THE DOOR PROTECTION. PRESSURE ROLL THE MATERIALS TO SET THE ADHESIVE.

ADHESIVE APPLICATIONS

4. MASK AREA DIRECTLY ADJACENT THE DOOR PROTECTION TO AVOID OVER SPREADING OF THE CONTACT ADHESIVE. MASKING TAPE MAY ALSO BE UTILIZED AS A POSITIONING GUIDE DURING INSTALLATION OF THE DOOR PROTECTION MATERIALS.
5. APPLY THE CONTACT ADHESIVE TO THE DOOR AND DOOR PROTECTION MATERIALS IN ACCORDANCE WITH THE ADHESIVE INSTRUCTIONS.
6. ONCE THE CONTACT ADHESIVE HAS DRIED, POSITION THE DOOR PROTECTION ON THE DOOR. PRESSURE ROLL THE MATERIALS TO SET THE ADHESIVE.
7. DOOR ENVELOPE PROTECTORS MUST BE TRIMMED AND BEVELED FOLLOWING INSTALLATION. THIS IS BEST DONE THROUGH USE OF A ROUTER WITH A "LAMINATE TAPERED TRIM BIT."

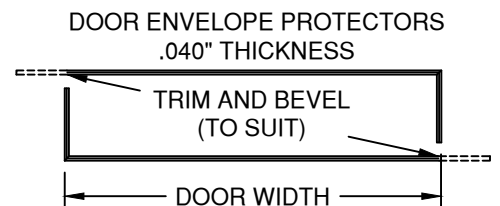
NOTE: ONE WH (WARNOCH HERSEY) LABEL AND COMPANY IDENTIFIER PER DOOR. WH LABEL TO BE ON UNEXPOSED SURFACE.



NOTE: ONE 3DP UNIT EQUALS ONE "L" SHAPED PIECE. UNLESS OTHERWISE NOTED.

90° "L" SHAPED "U" CHANNEL

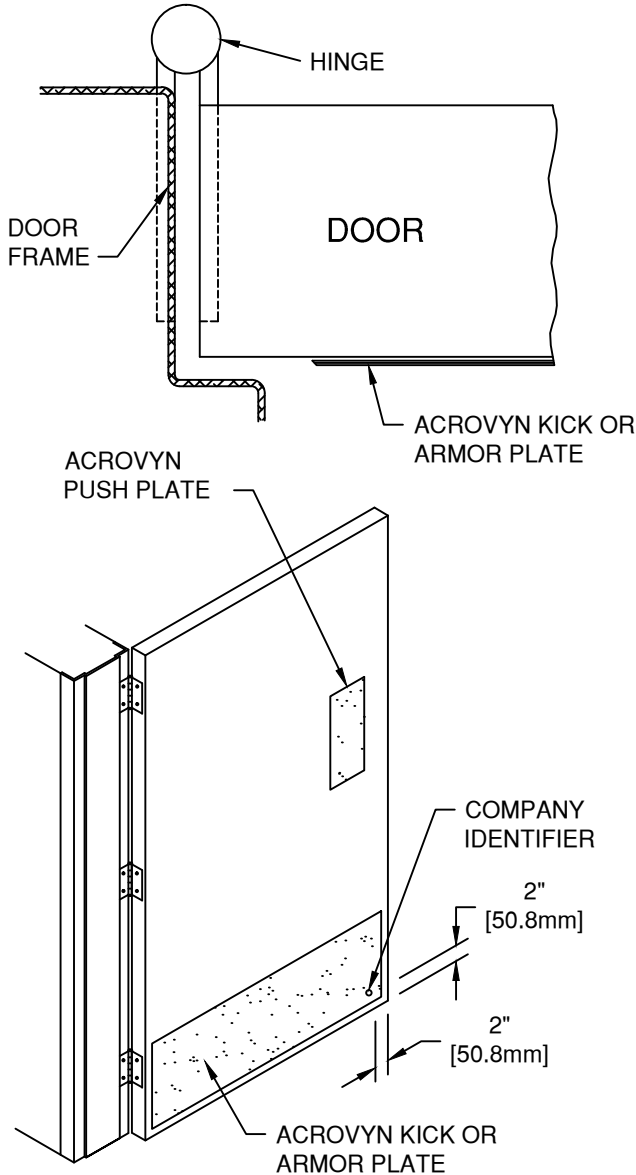
DON'T EXPOSE DOOR PROTECTION TO ELEVATED TEMPERATURES OR DIRECT SUNLIGHT AFTER THE INSTALLATION. THIS WILL CAUSE THE SURFACE TEMPERATURE TO RISE, WHICH IN TURN WILL CAUSE BUBBLES AND DELAMINATION.



| CONDITION | SPECIFIED FASTENER | QUANTITY | C/S PART NUMBER |
|--------------------|----------------------|---------------------------------|-------------------------------------|
| WOOD & METAL DOORS | FASTBOND 30 ADHESIVE | 5 GALLON 1 GALLON 1 QUART | 90M016001 90M014001 90M015001 |

FIRE RATED DOOR PROTECTION

KP SERIES



1. ACCLIMATE ALL MATERIALS TO ROOM TEMPERATURE 24 HOURS PRIOR TO INSTALLATION. THE MATERIALS SHOULD NOT BE INSTALLED AT AMBIENT ROOM TEMPERATURES BELOW 65°F.
2. THE INSTALLATION SURFACE MUST BE THOROUGHLY CLEANED, FREE OF DIRT, GREASE, WAX, AND LOOSE PAINT.

TAPE APPLICATIONS

3. MASKING TAPE MAY BE UTILIZED AS A POSITIONING GUIDE DURING INSTALLATION OF THE DOOR PROTECTION.
4. PEEL THE PAPER BACKING FROM THE BACK OF THE KICKPLATE/ARMOR PLATE AND POSITION IT PROPERLY.
5. APPLY PRESSURE TO THE ENTIRE SURFACE OF THE DOOR PROTECTION. PRESSURE ROLL THE MATERIALS.

ADHESIVE APPLICATIONS

3. MASK AREA DIRECTLY ADJACENT THE DOOR PROTECTION TO AVOID OVER SPREADING OF THE CONTACT ADHESIVE. MASKING TAPE MAY ALSO BE UTILIZED AS A POSITIONING GUIDE DURING INSTALLATION OF THE DOOR PROTECTION MATERIALS.
4. APPLY THE CONTACT ADHESIVE TO THE DOOR, AND DOOR PROTECTION MATERIALS, IN ACCORDANCE WITH THE ADHESIVE INSTRUCTIONS.
5. ONCE THE CONTACT ADHESIVE HAS DRIED, POSITION THE DOOR PROTECTION ON THE DOOR USING THE MASKING TAPE AS A GUIDE. PRESSURE ROLL THE MATERIALS TO SET THE ADHESIVE.

NOTE: ONE WH (WARNOCH HERSEY) IDENTIFIER PER DOOR. WH LABEL TO BE ON UNEXPOSED SURFACE.

DON'T EXPOSE DOOR PROTECTION TO ELEVATED TEMPERATURES OR DIRECT SUNLIGHT AFTER THE INSTALLATION. THIS WILL CAUSE THE SURFACE TEMPERATURE TO RISE, WHICH IN TURN WILL CAUSE BUBBLES AND DELAMINATION.

| CONDITION | SPECIFIED FASTENER | QUANTITY | C/S PART NUMBER |
|--------------------|----------------------|---------------------------------|-------------------------------------|
| WOOD & METAL DOORS | FASTBOND 30 ADHESIVE | 5 GALLON 1 GALLON 1 QUART | 90M016001 90M014001 90M015001 |

9/9/10