

# ONE PIECE DOOR FRAME PROTECTION

## PLEASE READ

PLEASE READ THESE INSTRUCTIONS THOROUGHLY PRIOR TO BEGINNING THE FIRE RATED DOOR FRAME PROTECTOR INSTALLATION!

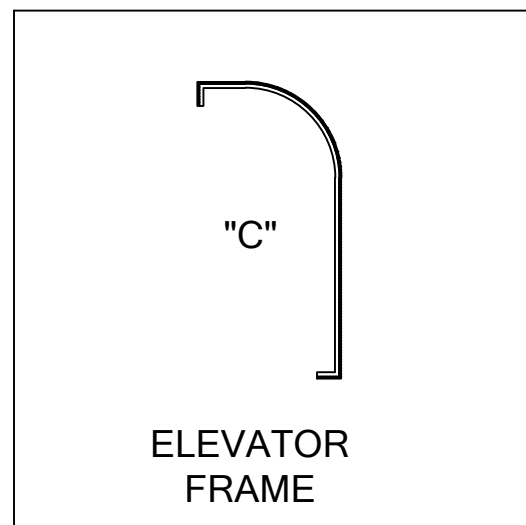
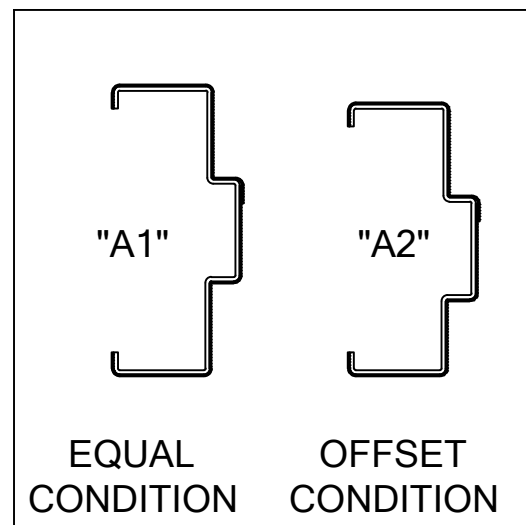
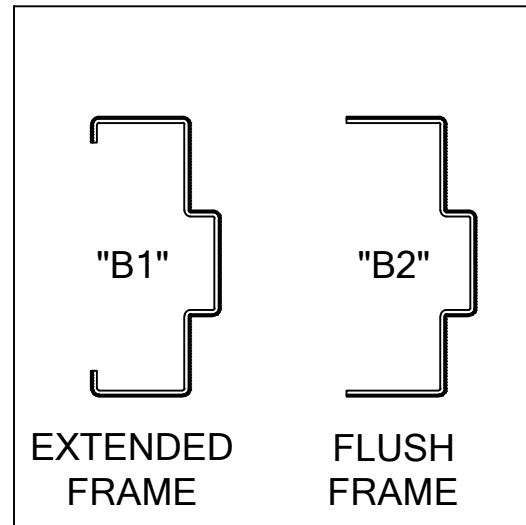
THIS INSTRUCTION SHEET IS INTENDED TO PROVIDE A SPECIFIC GUIDE TO FOLLOW FOR THE INSTALLATION OF FIRE RATED DOOR FRAME PROTECTORS. CONTAINED WITHIN IS THE TECHNICAL INFORMATION AND INSTALLATION TECHNIQUES REQUIRED TO COMPLETE AN EFFICIENT, NEAT AND LONG-LASTING INSTALLATION.

FIRE RATED FRAME PROTECTORS MUST BE INSTALLED IN ACCORDANCE WITH THESE INSTRUCTIONS! FAILURE TO FOLLOW THESE INSTRUCTIONS MAY VOID ANY PRODUCT WARRANTIES AND RESULT IN AN UNSUCCESSFUL INSTALLATION. FOR SPECIFIC QUESTIONS REGARDING THE INSTALLATION OF FIRE RATED DOOR FRAME PROTECTORS PLEASE CALL THE FACTORY AT (800) 233-8493 OR IN CANADA (888) 895-8955.

INSPECT ALL MATERIALS FOR DAMAGE OR MISSING PARTS. IF YOU DISCOVER DAMAGED OR MISSING MATERIALS, IN THE USA PLEASE NOTIFY THE FACTORY AT (800) 233-8493, AND IN CANADA (888) 895-8955.

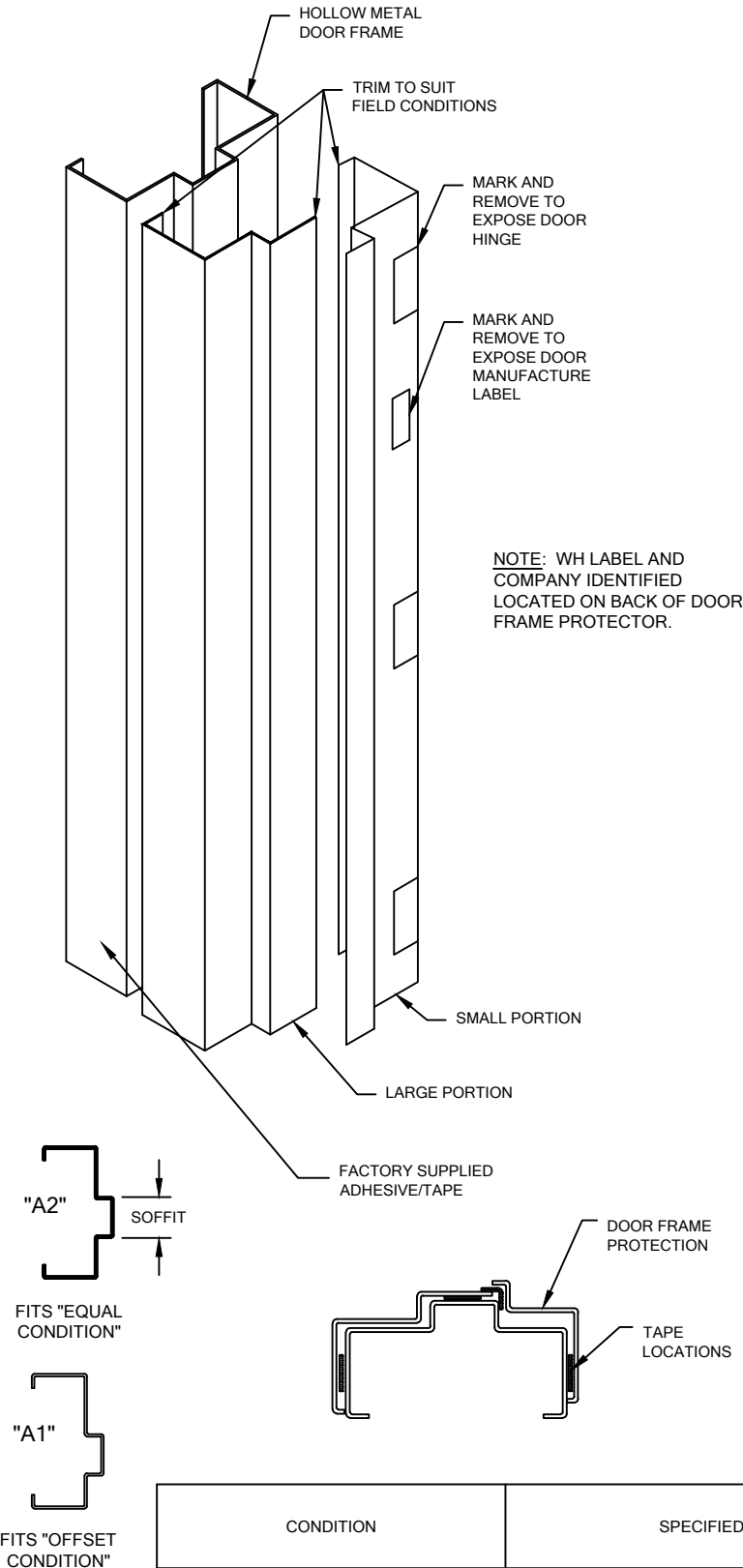
## IMPORTANT NOTES

1. ALL MATERIAL TO BE SUPPLIED IN STOCK LENGTHS. THIS MATERIAL IS TO BE FIELD CUT USING QUALITY EQUIPMENT TO INSURE THAT ALL CUTS ARE SQUARE. WHEN CUTTING MATERIAL SECTIONS, C/S RECOMMENDS USING AN 80-100 TOOTH CARBIDE TIPPED SAW BLADE OR EQUIVALENT, TO MINIMIZE CHIPPING AND MAINTAIN JOINT ALIGNMENT.
2. ALL DIMENSIONS ARE TYPICAL.
3. MATERIAL MUST REACH 65°F MIN. TO 75°F MAX. 24 HOURS PRIOR TO INSTALLATION. THIS IS ESSENTIAL TO MINIMIZE EXPANSION AND CONTRACTION OF MATERIAL.
4. DO NOT EXPOSE DOOR PROTECTION TO ELEVATED TEMPERATURES OR DIRECT SUNLIGHT AFTER INSTALLATION. THIS WILL CAUSE THE SURFACE TEMPERATURE TO RISE, WHICH IN TURN WILL CAUSE BUBBLES AND DELAMINATION.
5. ONE WH (WARNOCK HERSEY) LABEL AND COMPANY IDENTIFIER PER DOOR FRAME ASSEMBLY. LABELS ARE LOCATED ON BACKSIDE OF DOOR FRAME PROTECTOR.
6. FOR MORE INFORMATION ON THESE PRODUCTS SEE OUR WEBSITE AT [www.c-sgroup.com/acrovyn/door-covering](http://www.c-sgroup.com/acrovyn/door-covering)



**ONE PIECE DOOR FRAME PROTECTION**

MODEL A1 & A2



1. ACCLIMATE ALL MATERIALS TO ROOM TEMPERATURE 24 HOURS PRIOR TO INSTALLATION. THE MATERIALS SHOULD NOT BE INSTALLED AT AMBIENT TEMPERATURES BELOW 65°.
2. THE INSTALLATION SURFACES, DOOR JAMB AND DOOR FRAME PROTECTION, MUST BE THOROUGHLY CLEANED, FREE OF DIRT, GREASE, WAX AND LOOSE PAINT.
3. ESTABLISH DOOR FRAME PROTECTION LOCATION BY DRY FITTING MATERIALS TO THE DOOR FRAME. MARK THE LOCATION OF THE DOOR MANUFACTURER'S LABEL UPON THE ACROVYN AND CUT OUT THE ACROVYN TO EXPOSE THE LABEL.
4. IF THE HEADER IS TO RECEIVE DOOR FRAME PROTECTION, PLACE BOTH JAMB COVERS ON THE DOOR FRAME AND HOLD IN PLACE WITH MASKING TAPE. MITER ONE END OF THE HEADER COVER AND FIELD FIT AND MITER THE OPPOSITE END.

TAPE APPLICATIONS

5. APPLY THE DOUBLE STICK TAPE TO THE NON-HINGE SIDE OF THE DOOR JAMB AND LARGE PORTION OF THE DOOR PROTECTION MATERIALS.
6. POSITION THE LARGE SECTION OF THE ACROVYN COVER AND APPLY PRESSURE.
7. TRIM OFF ANY EXCESS ACROVYN COVER THAT EXTENDS BEYOND THE SOFFIT.
8. INSTALL THE SMALLER SECTION OF DOOR PROTECTION IN THE SAME MANNER.
9. USING A UTILITY KNIFE, TRIM OUT THE HINGE AND STRIKE PLATE LOCATIONS.
10. PRESSURE ROLL THE MATERIALS TO SET THE ADHESIVE.

ADHESIVE APPLICATIONS

5. MASK AREA DIRECTLY ADJACENT THE DOOR FRAME PROTECTION TO AVOID OVER SPREADING OF THE CONTACT ADHESIVE.

NOTE: WHEN BOTH THE JAMBS AND THE HEADER ARE TO RECEIVE DOOR FRAME PROTECTION, START INSTALLATION WITH THE HEADER COVER.

6. APPLY THE CONTACT ADHESIVE TO THE DOOR FRAME, AND DOOR FRAME PROTECTION MATERIALS IN ACCORDANCE WITH THE ADHESIVE INSTRUCTIONS.

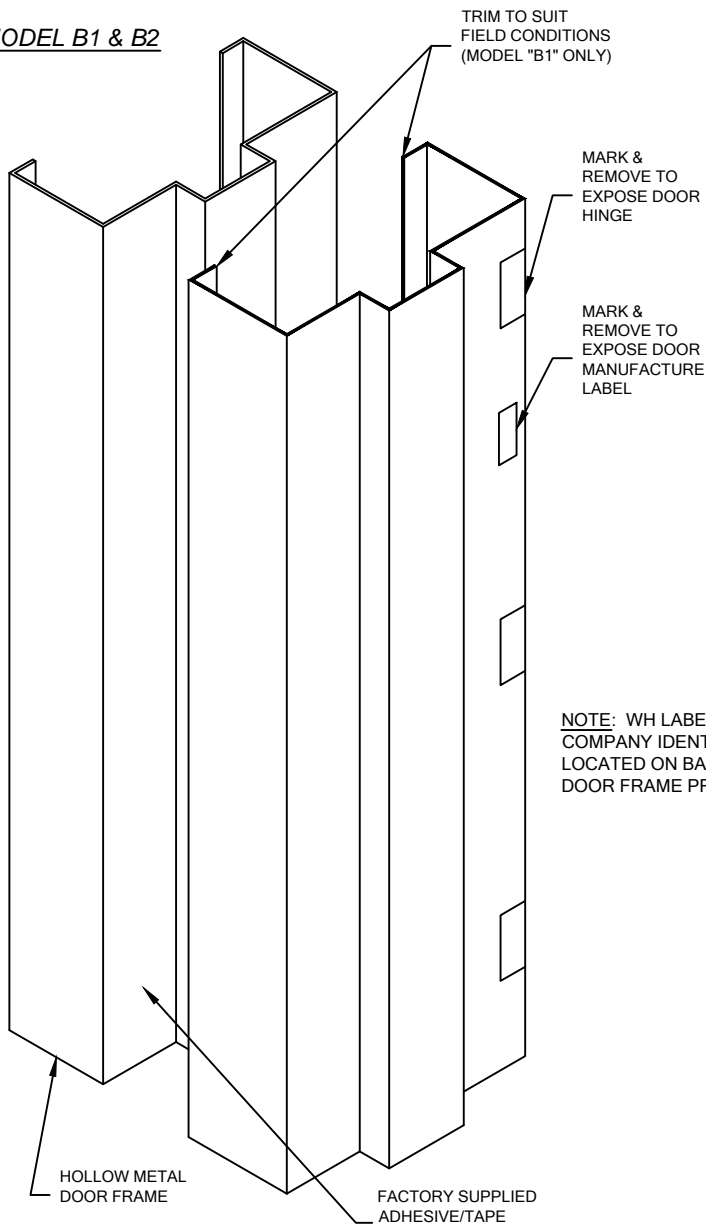
NOTE: DO NOT APPLY ADHESIVE ON THE HINGE AND STRIKE PLATE MOUNTING SURFACES.

7. ONCE THE CONTACT ADHESIVE HAS DRIED, POSITION THE LARGE SECTION OF DOOR FRAME PROTECTION. TRIM EXCESS USING A UTILITY KNIFE.
8. INSTALL SMALL SECTION OF DOOR FRAME PROTECTION IN THE SAME MANNER.
9. USING A UTILITY KNIFE, TRIM OUT THE HINGE AND STRIKE PLATE LOCATIONS. PRESSURE ROLL THE MATERIALS TO SET THE ADHESIVE.

CONDITION	SPECIFIED FASTENER	QUANTITY	C/S PART NUMBER
WOOD & METAL DOORS	FASTBOND 30 ADHESIVE	5 GALLON 1 GALLON 1 QUART	90M016001 90M014001 90M015001
WOOD & METAL DOORS	IB2100 TAPE	3/4" WIDE	90M028002

# ONE PIECE DOOR FRAME PROTECTION

MODEL B1 & B2



**NOTE:** WH LABEL AND COMPANY IDENTIFIED LOCATED ON BACK OF DOOR FRAME PROTECTOR.

1. ACCLIMATE ALL MATERIALS TO ROOM TEMPERATURE 24 HOURS PRIOR TO INSTALLATION. THE MATERIALS SHOULD NOT BE INSTALLED AT AMBIENT ROOM TEMPERATURES BELOW 65° F.
2. THE INSTALLATION SURFACE MUST BE THOROUGHLY CLEANED, FREE OF DIRT, GREASE, WAX, AND LOOSE PAINT.
3. ESTABLISH DOOR FRAME PROTECTION LOCATION BY DRY FITTING MATERIALS TO THE DOOR FRAME. MARK THE LOCATION OF THE DOOR MANUFACTURER'S LABEL UPON THE ACROVYN COVER AND CUT OUT THE ACROVYN TO EXPOSE THE LABEL.
4. IF THE HEADER IS TO RECEIVE DOOR FRAME PROTECTION, PLACE BOTH JAMB COVERS ON THE DOOR FRAME AND HOLD IN PLACE WITH MASKING TAPE. MITER ONE END OF THE HEADER COVER AND FIELD FIT AND MITER THE OPPOSITE END.

TAPE APPLICATIONS

5. APPLY THE DOUBLE STICK TAPE TO THE DOOR JAMB AND TO THE BACK OF THE ACROVYN COVER.
6. POSITION THE ACROVYN COVER AND APPLY PRESSURE.
7. USING A UTILITY KNIFE, TRIM OUT THE HINGE AND STRIKE PLATE LOCATION.
8. PRESSURE ROLL THE MATERIALS TO SET THE ADHESIVE.

ADHESIVE APPLICATIONS

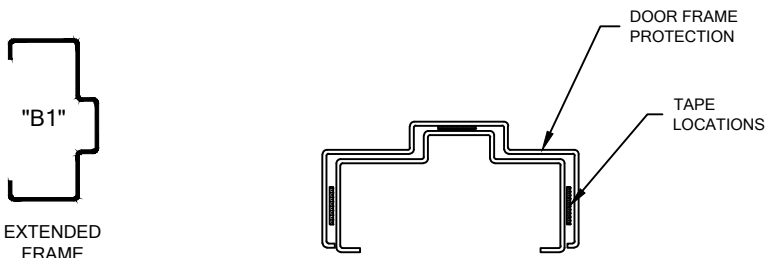
5. MASK AREA DIRECTLY ADJACENT THE DOOR FRAME PROTECTION TO AVOID OVER SPREADING OF THE CONTACT ADHESIVE.

**NOTE:** WHEN BOTH THE JAMBS AND THE HEADER ARE TO RECEIVE DOOR FRAME PROTECTION, START INSTALLATION WITH THE HEADER COVER.

6. APPLY THE CONTACT ADHESIVE TO THE DOOR FRAME, AND DOOR FRAME PROTECTION MATERIALS IN ACCORDANCE WITH THE ADHESIVE INSTRUCTIONS.

**NOTE:** DO NOT APPLY ADHESIVE ON THE HINGE AND STRIKE PLATE MOUNTING SURFACES.

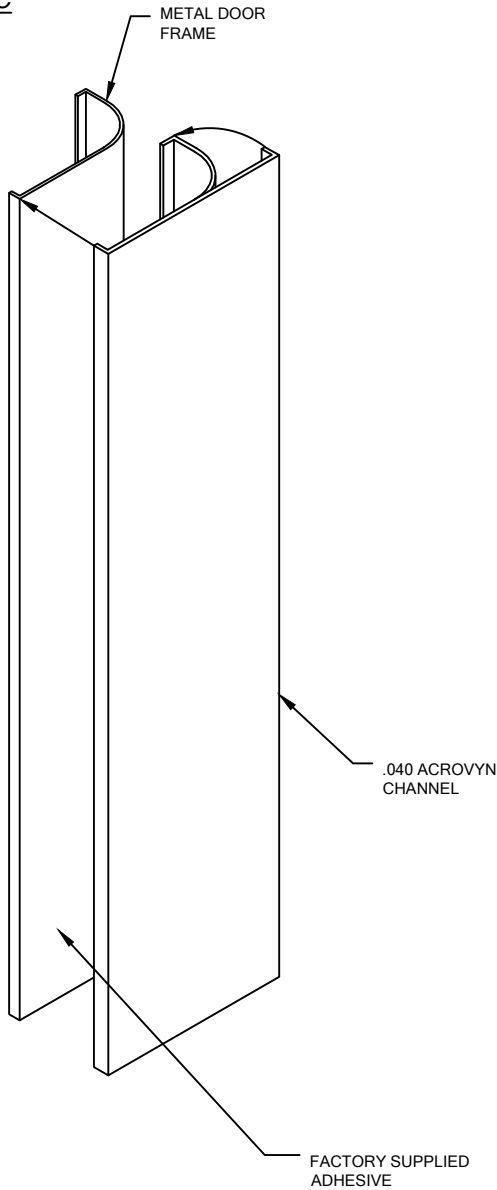
7. ONCE THE CONTACT ADHESIVE HAS DRIED, POSITION THE DOOR FRAME PROTECTION ON THE DOOR FRAME USING THE MASKING TAPE AS A GUIDE.
8. USING A UTILITY KNIFE, TRIM OUT THE HINGE AND STRIKE PLATE LOCATIONS. PRESSURE ROLL THE MATERIALS TO SET THE ADHESIVE.



CONDITION	SPECIFIED FASTENER	QUANTITY	C/S PART NUMBER
WOOD & METAL DOORS	FASTBOND 30 ADHESIVE	5 GALLON 1 GALLON 1 QUART	90M016001 90M014001 90M015001
WOOD & METAL DOORS	IB2100 TAPE	3/4" WIDE	90M028002

**ONE PIECE DOOR FRAME PROTECTION**

MODEL C



1. ACCLIMATE ALL MATERIALS TO ROOM TEMPERATURE 24 HOURS PRIOR TO INSTALLATION. THE MATERIALS SHOULD NOT BE INSTALLED AT AMBIENT TEMPERATURES BELOW 65°.
2. THE INSTALLATION SURFACES, DOOR JAMB AND DOOR FRAME PROTECTION, MUST BE THOROUGHLY CLEANED, FREE OF DIRT, GREASE, WAX AND LOOSE PAINT.
3. ESTABLISH DOOR FRAME PROTECTION LOCATION BY DRY FITTING MATERIALS TO THE DOOR FRAME. MARK THE LOCATION OF THE DOOR MANUFACTURER'S LABEL UPON THE ACRYVYN AND CUT OUT THE ACRYVYN TO EXPOSE THE LABEL.
4. IF THE HEADER IS TO RECEIVE DOOR FRAME PROTECTION, PLACE BOTH JAMB COVERS ON THE DOOR FRAME AND HOLD IN PLACE WITH MASKING TAPE. MITER ONE END OF THE HEADER COVER AND FIELD FIT AND MITER THE OPPOSITE END.
5. MASK AREA DIRECTLY ADJACENT THE DOOR FRAME PROTECTION TO AVOID OVER SPREADING OF THE CONTACT ADHESIVE.
6. NOTE: WHEN BOTH THE JAMBS AND THE HEADER ARE TO RECEIVE DOOR FRAME PROTECTION, START INSTALLATION WITH THE HEADER COVER.
7. APPLY THE CONTACT ADHESIVE TO THE DOOR FRAME, AND DOOR FRAME PROTECTION MATERIALS IN ACCORDANCE WITH THE ADHESIVE INSTRUCTIONS.
8. NOTE: DO NOT APPLY ADHESIVE ON THE HINGE AND STRIKE PLATE MOUNTING SURFACES.
9. ONCE THE CONTACT ADHESIVE HAS DRIED, POSITION THE LARGE SECTION OF DOOR FRAME PROTECTION. TRIM EXCESS USING A UTILITY KNIFE.
10. INSTALL SMALL SECTION OF DOOR FRAME PROTECTION IN THE SAME MANNER.
11. USING A UTILITY KNIFE, TRIM OUT THE HINGE AND STRIKE PLATE LOCATIONS. PRESSURE ROLL THE MATERIALS TO SET THE ADHESIVE.

CONDITION	SPECIFIED FASTENER	QUANTITY	C/S PART NUMBER
WOOD & METAL DOORS	FASTBOND 30 ADHESIVE	5 GALLON 1 GALLON 1 QUART	90M016001 90M014001 90M015001