

WOOD WALL PANEL SYSTEM
DEMOUNTABLE Z-CLIP

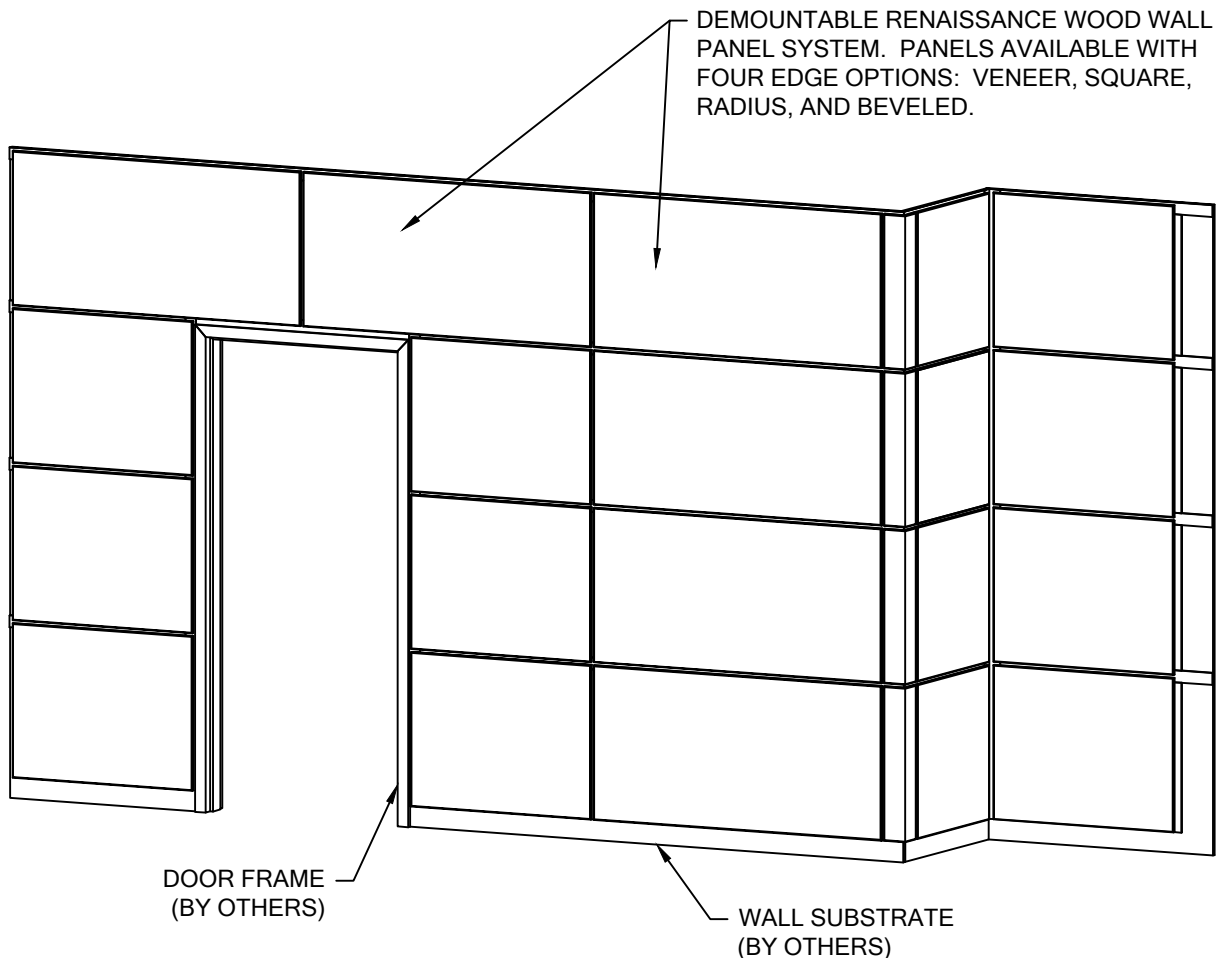
PLEASE READ THESE INSTRUCTIONS THOROUGHLY PRIOR TO BEGINNING THE WOOD Z-CLIP WALL PANEL INSTALLATION.

THIS INSTRUCTIONS SHEET IS INTENDED TO PROVIDE A SPECIFIC GUIDE TO FOLLOW FOR THE INSTALLATION OF WOOD Z-CLIP WALL PANELS. CONTAINED WITHIN IS THE TECHNICAL INFORMATION AND INSTALLATION TECHNIQUES REQUIRED TO COMPLETE AN EFFICIENT, NEAT AND LONG-LASTING INSTALLATION.

WOOD Z-CLIP WALL PANELS MUST BE INSTALLED IN ACCORDANCE WITH THESE INSTRUCTIONS! FAILURE TO FOLLOW THESE INSTRUCTIONS MAY VOID ANY PRODUCT WARRANTIES AND RESULT IN AN UNSUCCESSFUL INSTALLATION. FOR SPECIFIC QUESTIONS REGARDING THE INSTALLATION OF WOOD Z-CLIP WALL PANELS PLEASE CALL US AT (800) 233-8493 OR EMAIL IWPTECHSUPPORT@C-SGROUP.COM. IN CANADA CALL (888) 895-8955. FOR MORE INFORMATION ON ACROVYN WALL PANELS PLEASE SEE OUR WEBSITE AT www.c-sgroup.com.

IMPORTANT NOTES - DO NOT OVERLOOK

- MATERIALS MUST REACH 65°F (18°C) MIN TO 75°F (24°C) MAX 24 HOURS PRIOR TO INSTALLATION. THIS IS ESSENTIAL TO MINIMIZE EXPANSION AND CONTRACTION OF MATERIAL.
- FOR DRYWALL/PLASTER WALL CONSTRUCTION, IT IS RECOMMENDED FOR FASTENERS TO BE ENGAGED INTO METAL/WOOD STUDS TO MAINTAIN PULL-OUT STRENGTH.
- AF-6 PLASTIC ANCHORS SHOULD SEAT FLUSH WITH GYPSUM WALL.



WOOD WALL PANEL SYSTEM
 DEMOUNTABLE Z-CLIP

COMPONENTS & WALL FASTENERS

 WOOD REVEAL
 (24W121xxx)

 PANEL MOUNTING CLIP
 (21F004000)

 WALL MOUNTING CLIP
 (21A005000)

 FASTENER #1
 6.3mm X 10.5mm
 EURO SCREW
 (90H467002)

WALL CONDITION	SPECIFIED FASTENER	DRILL DIAMETERS		C/S PART NUMBER
		WALL	RETAINER	
STEEL STUD/GYPSUM WALL	#6 X 1 5/8" BUGLE HEAD SMS	N/A	3/16"	90H079002
CONCRETE/CONCRETE BLOCK	#10 X 1 1/2" PHILLIP PANHEAD SMS AF-6 PLASTIC ANCHOR	1/4"	9/32"	90H189002 90H039004
WOOD STUD/GYPSUM WALL	#6 X 1 5/8" BUGLE HEAD SMS	N/A	3/16"	90H079002

WOOD WALL PANEL SYSTEM
DEMOUNTABLE Z-CLIP

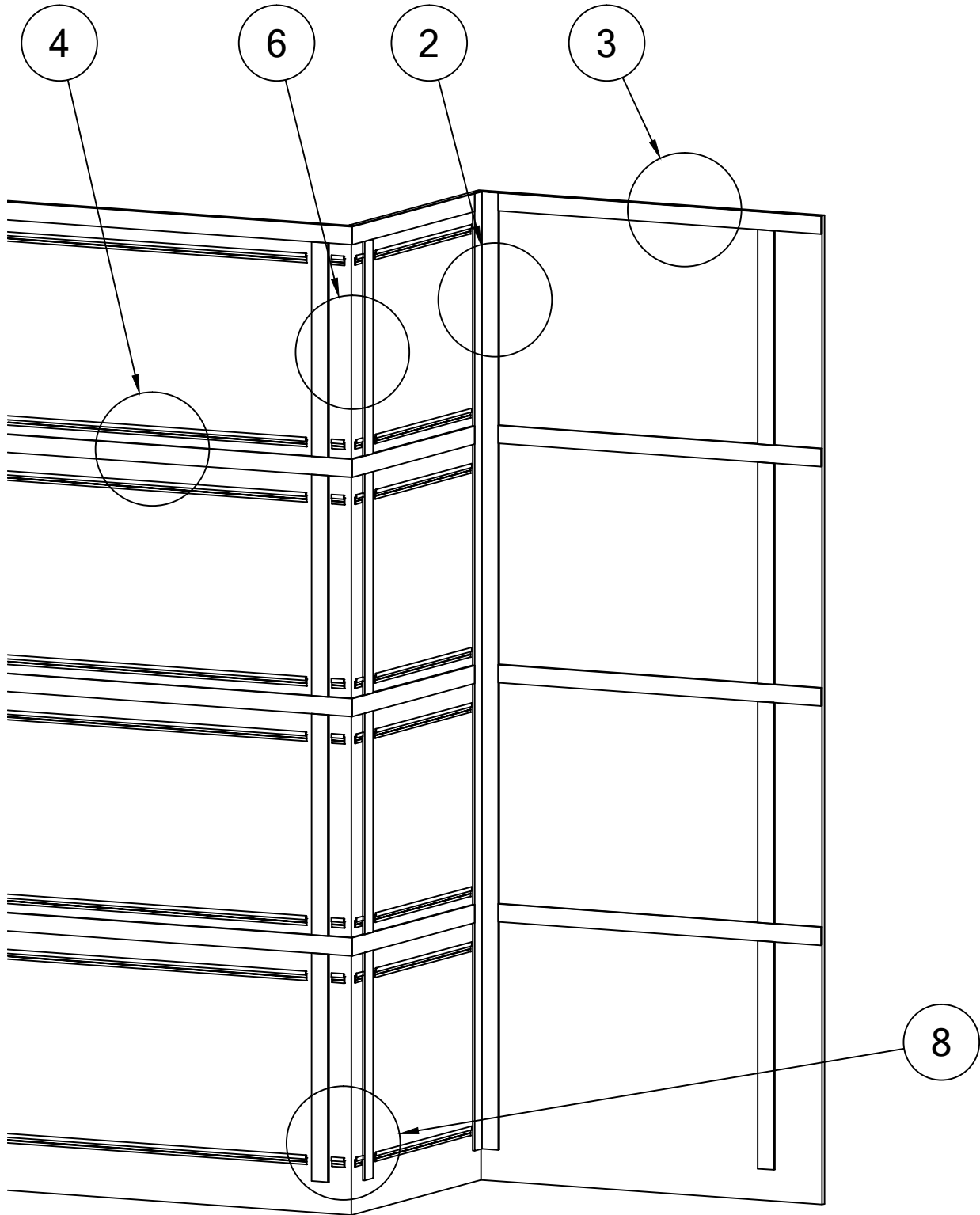
TYPICAL WALL INSTALLATION

NOTE: NUMBERS POINTING TO AREAS OF THE DRAWING REFER TO DETAILS USED THROUGHOUT THE INSTRUCTIONS.

The diagram illustrates a typical wall installation of a wood wall panel system. It shows a section of a wall with a door frame. The wall panels are held together by a demountable Z-clip system. Callout 1 points to the top edge of a panel. Callout 5 points to the Z-clip mechanism. Callout 7 points to the joint between two panels. Callout 9 points to a detail on the lower part of the wall. Labels 'COVE BASE (BY OTHERS)' and 'DOOR FRAME (BY OTHERS)' indicate components provided by other parties.

3

WOOD WALL PANEL SYSTEM
DEMOUNTABLE Z-CLIP



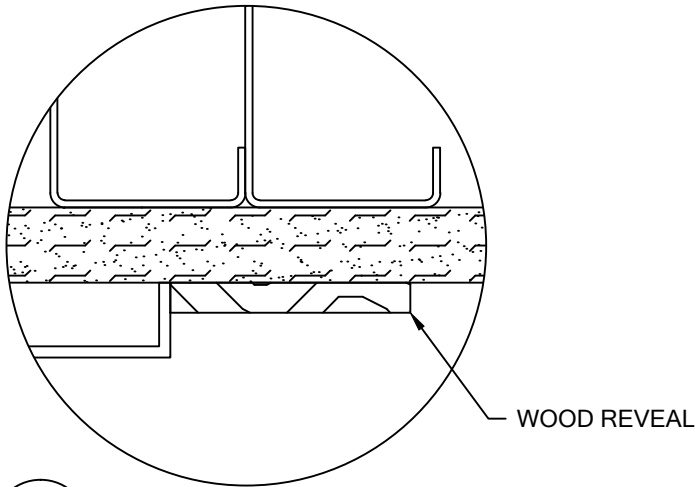
WOOD WALL PANEL SYSTEM
DEMOUNTABLE Z-CLIP

1. MEASURE WALLS TO DETERMINE LAYOUT AND PLACEMENT OF WALL PANELS. THIS SYSTEM IS DESIGNED TO USE CUSTOM MANUFACTURED PANELS AT ALL DOORS, CORNERS, ETC.

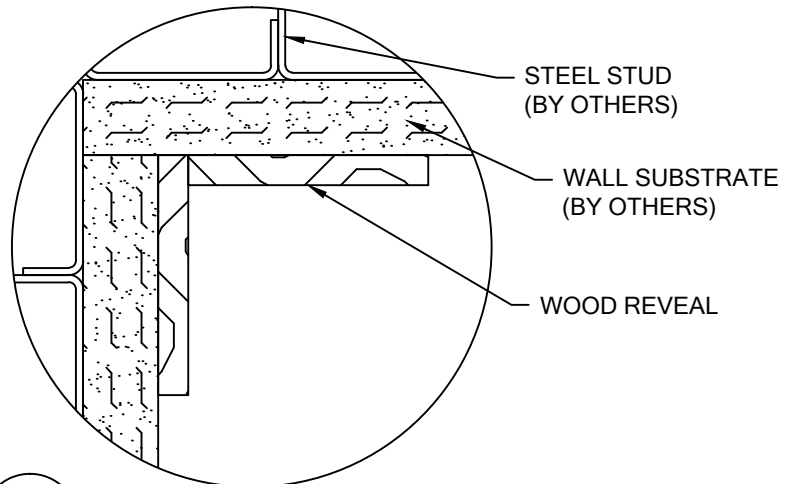
NOTE: REFER TO DRAFTING DETAILS FOR SPECIFIC REVEAL WIDTH AND WALL MOUNTING CLIP LOCATION.

2. CUT ALL WOOD REVEALS TO SIZE AND INSTALL AROUND DOOR FRAMES AND AT INSIDE CORNERS. SEE DETAILS 1 AND 2. WOOD REVEALS ARE TO BE INSTALLED USING CONSTRUCTION ADHESIVE.

NOTE: ONLY A SMALL AMOUNT OF CONSTRUCTION ADHESIVE IS NECESSARY TO HOLD THE REVEALS IN PLACE. APPLY A CONTINUOUS BEAD OF ADHESIVE THE ENTIRE LENGTH OF THE WOOD REVEAL IN A SNAKE LIKE FASHION. CAUTION: IF TOO MUCH IS APPLIED IT MAY MAKE THE PANEL INSTALLATION DIFFICULT OR IMPOSSIBLE. USE 3/4" - 1 1/4" LONG FINISH BRAD NAILS TO TEMPORARILY HOLD THE REVEALS IN PLACE UNTIL THE ADHESIVE COMPLETELY CURES.



1 TYPICAL DOOR / EDGE



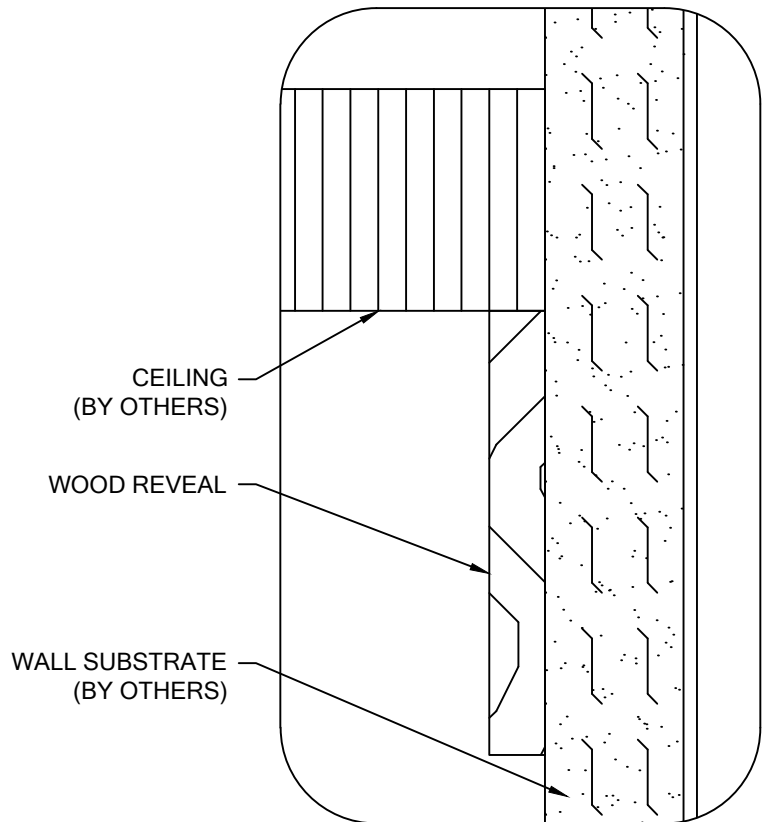
2 TYPICAL INSIDE CORNER

WOOD WALL PANEL SYSTEM
DEMOUNTABLE Z-CLIP

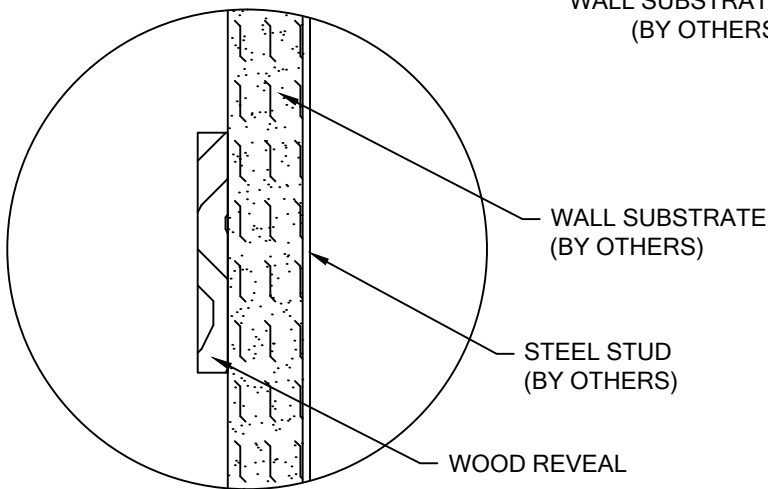
3. CUT TO SIZE AND INSTALL ALL HORIZONTAL WOOD REVEALS. SEE DETAILS 3 AND 4. WARNING: BE SURE ALL PIECES ARE INSTALLED LEVEL.

NOTE: THE WALL PANEL AND REVEAL RETAINER LOCATION IS BASED ON A SPECIFIED REVEAL WIDTH SHOWN IN THE DRAFTING DETAILS. STANDARD WIDTHS ARE 3/8", 1/2", 5/8", 3/4" OR 1" [10mm, 13mm, 16mm, 19mm OR 25mm].

NOTE: ONLY A SMALL AMOUNT OF CONSTRUCTION ADHESIVE IS NECESSARY TO HOLD THE REVEALS IN PLACE. APPLY A CONTINUOUS BEAD OF ADHESIVE THE ENTIRE LENGTH OF THE WOOD REVEAL IN A SNAKE LIKE FASHION. CAUTION: IF TOO MUCH IS APPLIED IT MAY MAKE THE PANEL INSTALLATION DIFFICULT OR IMPOSSIBLE. USE 3/4" - 1 1/4" LONG FINISH BRAD NAILS TO TEMPORARILY HOLD THE REVEALS IN PLACE UNTIL THE ADHESIVE COMPLETELY CURES.



3 TYPICAL WOOD REVEAL AT CEILING

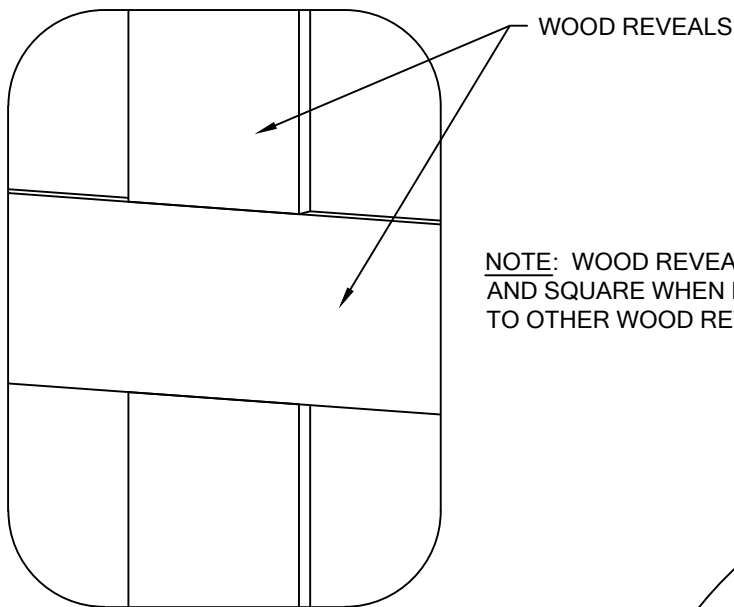


4 TYPICAL HORIZONTAL WOOD REVEAL

WOOD WALL PANEL SYSTEM
DEMOUNTABLE Z-CLIP

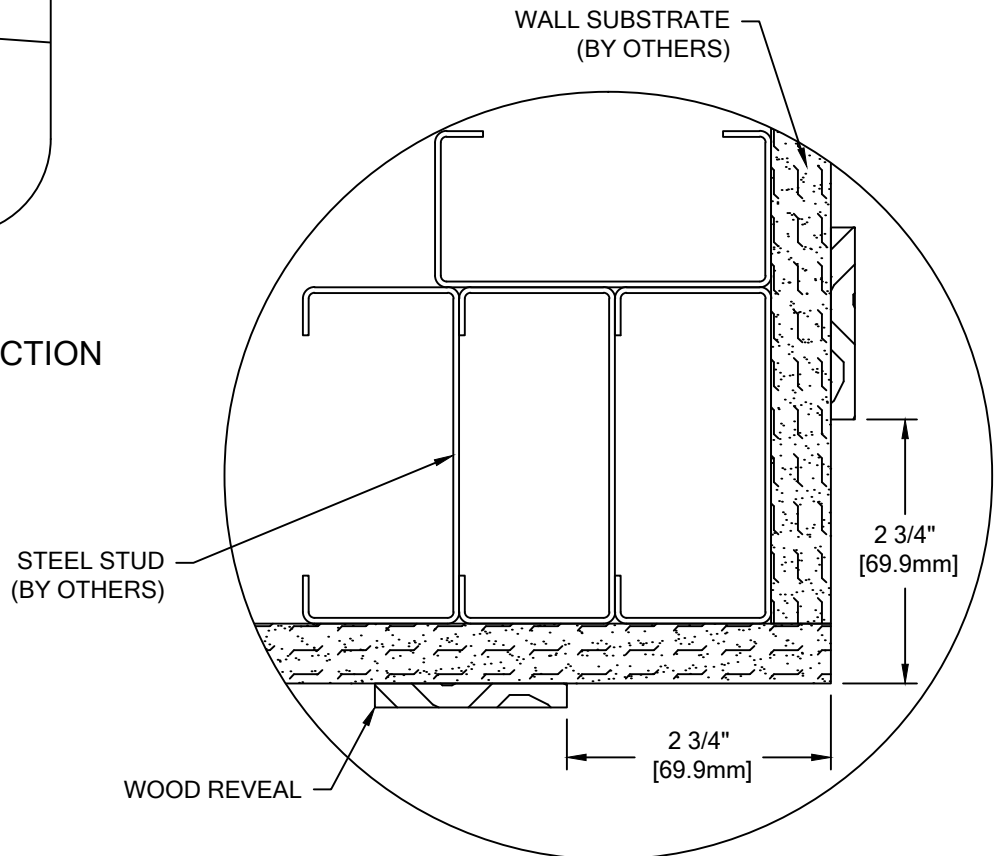
4. ONCE ALL HORIZONTAL WOOD REVEALS ARE IN PLACE, CUT TO SIZE AND INSTALL ALL VERTICAL WOOD REVEALS. SEE DETAILS 5 AND 6. WARNING: BE SURE ALL PIECES ARE INSTALLED PLUMB.

NOTE: ONLY A SMALL AMOUNT OF CONSTRUCTION ADHESIVE IS NECESSARY TO HOLD THE REVEALS IN PLACE. APPLY A CONTINUOUS BEAD OF ADHESIVE THE ENTIRE LENGTH OF THE WOOD REVEAL IN A SNAKE LIKE FASHION. CAUTION: IF TOO MUCH IS APPLIED IT MAY MAKE THE PANEL INSTALLATION DIFFICULT OR IMPOSSIBLE. USE 3/4" - 1 1/4" LONG FINISH BRAD NAILS TO TEMPORARILY HOLD THE REVEALS IN PLACE UNTIL THE ADHESIVE COMPLETELY CURES.



NOTE: WOOD REVEALS TO BE TIGHT AND SQUARE WHEN ENDING ADJACENT TO OTHER WOOD REVEALS.

5 TYPICAL WOOD REVEAL INTERSECTION

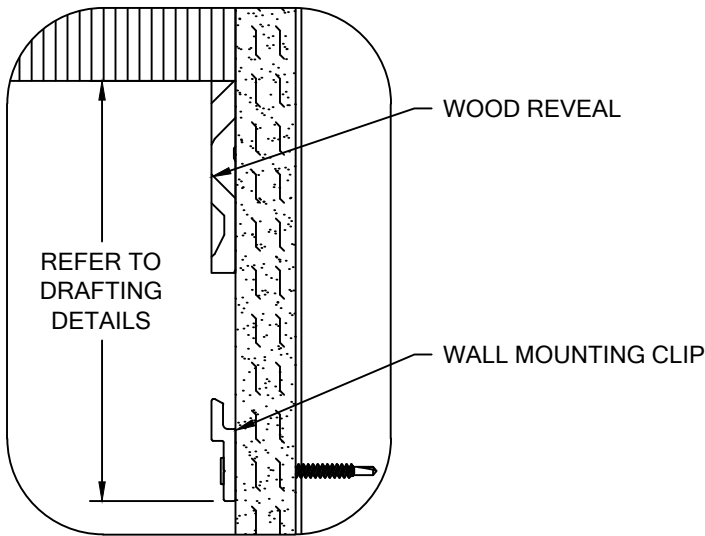


6 TYPICAL OUTSIDE CORNER

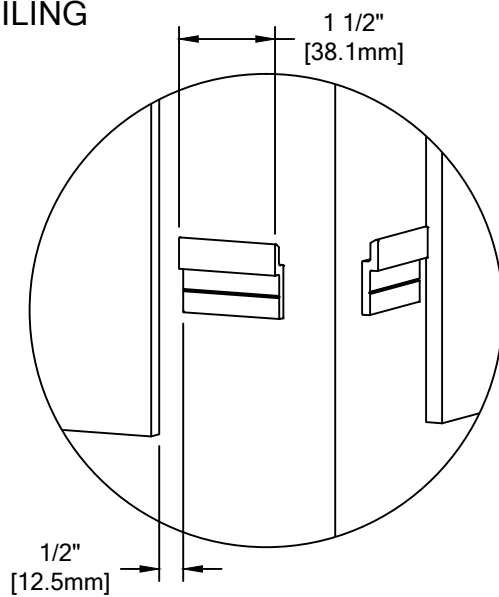
WOOD WALL PANEL SYSTEM
DEMOUNTABLE Z-CLIP

5. CUT TO SIZE AND INSTALL ALL WALL MOUNTING CLIPS. SEE DETAILS 7, 8, AND 9. BE SURE ALL WALL MOUNTING CLIPS ARE LEVEL.

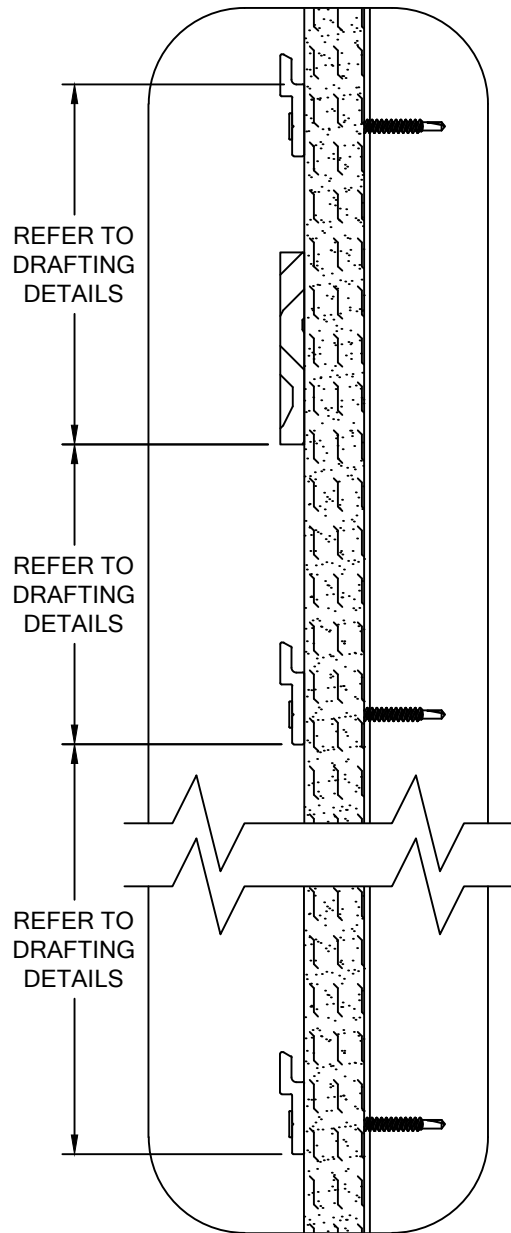
WARNING: THE LOCATION OF WALL MOUNTING CLIPS IS CRITICAL TO A PROPERLY SPACED REVEAL WIDTH. BE SURE THESE CLIPS ARE ATTACHED TO A STUD, 16" [406.4mm] O.C., BECAUSE THEY SUPPORT THE FULL WEIGHT OF THE WALL PANELS. IF WALL MOUNTING CLIPS WILL EXCEED 4" [101.6mm] PAST A STUD A #10 X 1 1/2" PHILLIPS PAN HEAD SHEET METAL SCREW WITH AF-6 PLASTIC ANCHOR MUST BE USED. ALL ALUMINUM EXTRUSIONS HAVE A SMALL "V" GROOVE FOR LOCATING FASTENERS.



7 WOOD REVEAL AND WALL MOUNTING CLIP AT CEILING



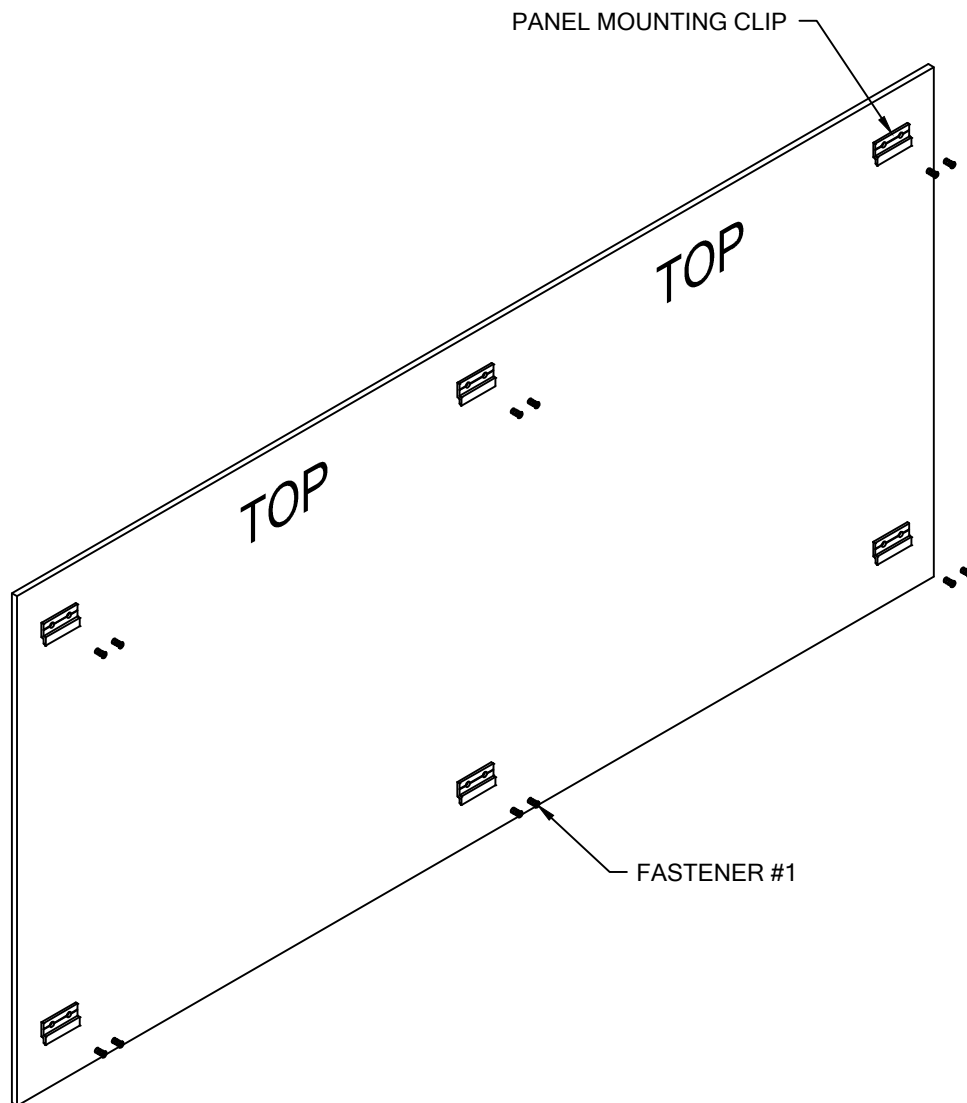
8 WOOD REVEAL AND WALL MOUNTING CLIP AT OUTSIDE CORNER



9 ALUMINUM WALL MOUNTING CLIPS AT FLOOR / BASE CONDITION

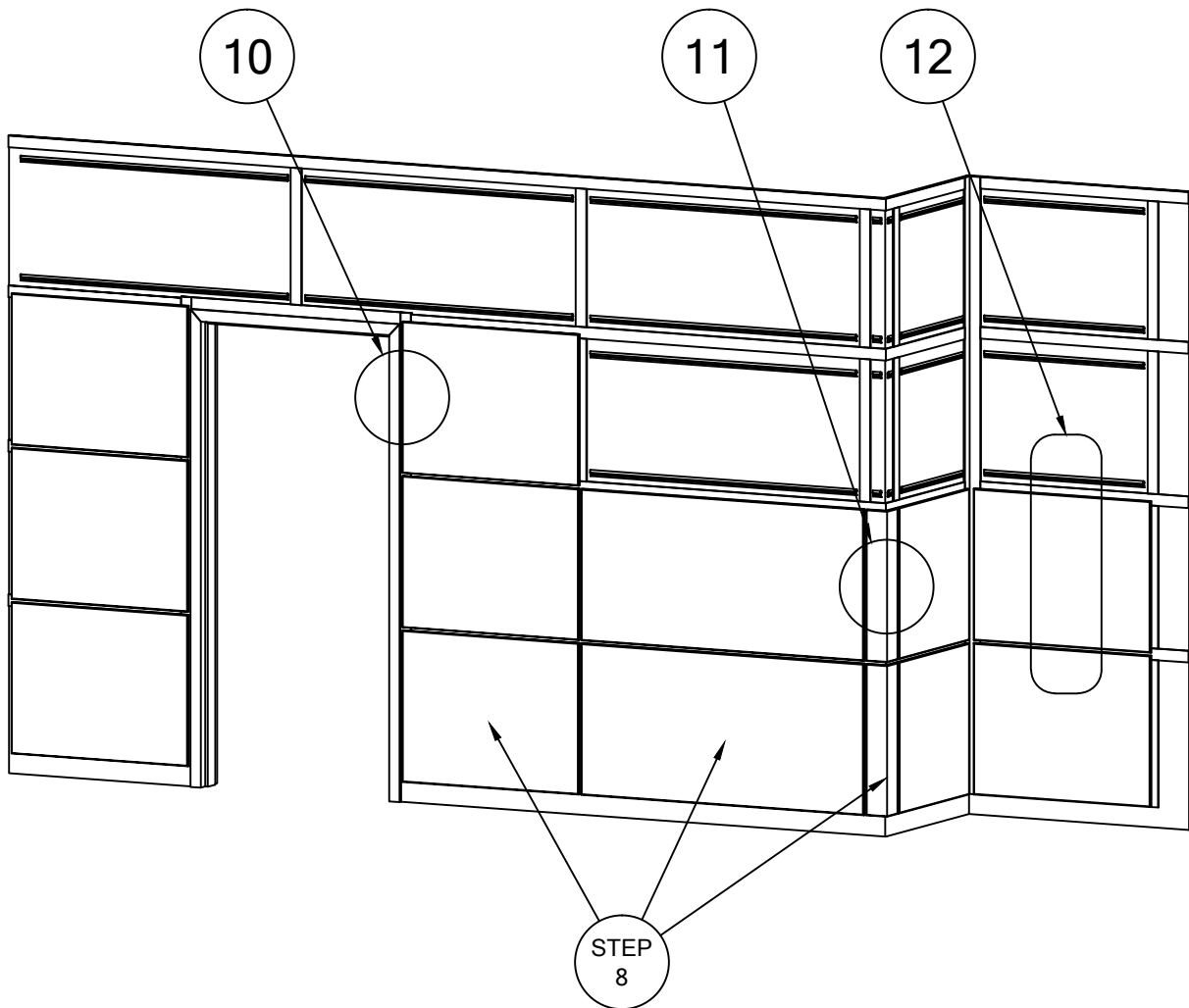
WOOD WALL PANEL SYSTEM
DEMOUNTABLE Z-CLIP

6. INSTALL FACTORY SUPPLIED PANEL MOUNTING CLIPS USING ATTACHMENT SCREWS IN PRE-DRILLED HOLES IN THE BACK OF PANELS. THE TOP OF THE PANEL SHOULD BE CLEARLY MARKED TO ENSURE THAT THE PANEL MOUNTING CLIPS ARE PROPERLY ORIENTED.

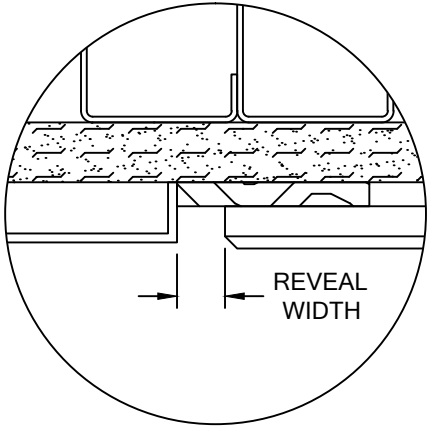


WOOD WALL PANEL SYSTEM
DEMOUNTABLE Z-CLIP

7. INSTALL PANELS MAINTAINING THE SPECIFIED REVEAL WIDTH BETWEEN PANELS AND AT ALL END CONDITIONS AND INSIDE AND OUTSIDE CORNERS (SEE BACK PAGE, DETAILS 10, 11, AND 12). ALL CUSTOM PANELS SHOULD HAVE A MARK NUMBER THAT REFLECTS THE PROPER LOCATION ON THE JOBSITE.

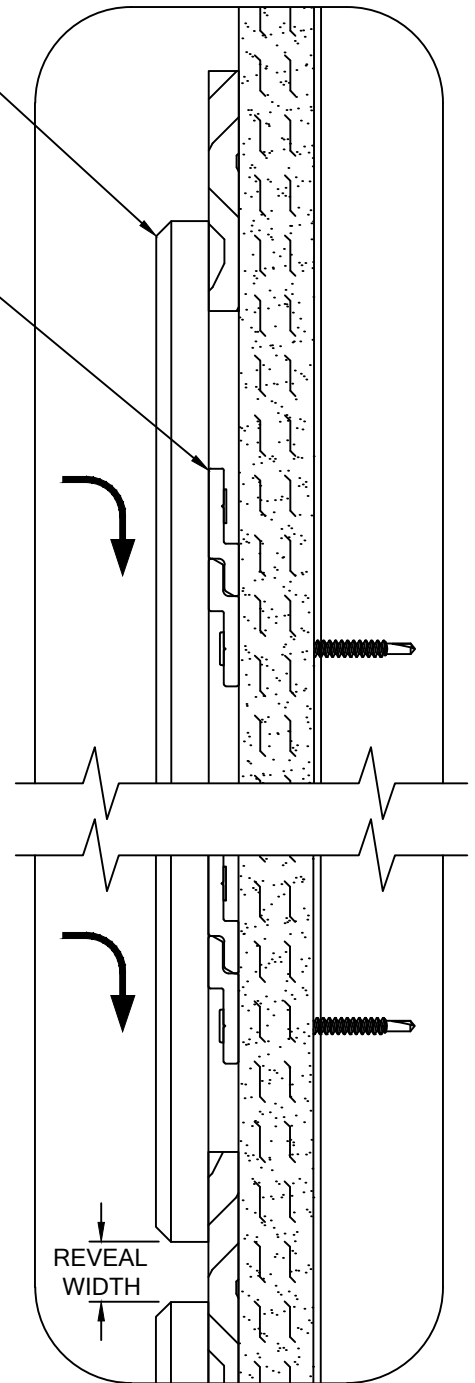


WOOD WALL PANEL SYSTEM
DEMOUNTABLE Z-CLIP

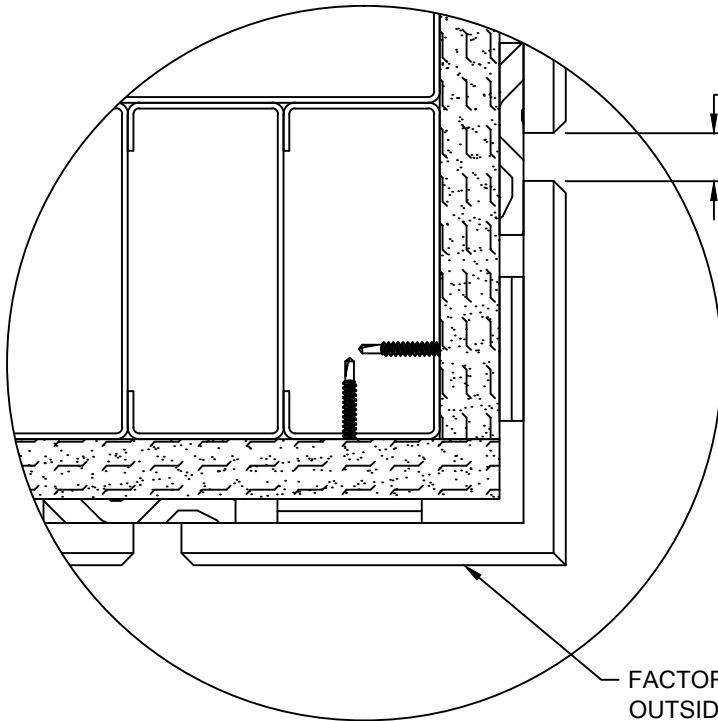


10 TYPICAL PANEL EDGE AT DOOR OR END CONDITION

WOOD WALL PANEL USING FACTORY SUPPLIED PANEL MOUNTING CLIPS
FACTORY SUPPLIED PANEL MOUNTING CLIPS AND MOUNTING SCREWS



12 TYPICAL MOUNTING OF WALL PANEL



11 TYPICAL OUTSIDE CORNER

FACTORY ASSEMBLED OUTSIDE CORNER, INSTALLATION SIMILAR TO PANELS