

## RENAISSANCE WOOD WALL PANELS

### ADHESIVE MOUNTED WALL PANELS

PLEASE READ THESE INSTRUCTIONS THOROUGHLY PRIOR TO BEGINNING THE RENAISSANCE WOOD WALL PANEL INSTALLATION.

THIS INSTRUCTION SHEET IS INTENDED TO PROVIDE A SPECIFIC GUIDE TO FOLLOW FOR THE INSTALLATION OF RENAISSANCE WOOD WALL PANELS. CONTAINED WITHIN IS THE TECHNICAL INFORMATION AND INSTALLATION TECHNIQUES REQUIRED TO COMPLETE AN EFFICIENT, NEAT AND LONG-LASTING INSTALLATION.

INSPECT ALL MATERIALS FOR DAMAGE OR MISSING PARTS. IF YOU DISCOVER DAMAGED OR MISSING MATERIALS, IN THE USA PLEASE NOTIFY THE FACTORY AT (800) 233-8493, AND IN CANADA (888) 895-8955 FOR CUSTOMER SERVICE.

RENAISSANCE WOOD WALL PANELS MUST BE INSTALLED IN ACCORDANCE WITH THESE INSTRUCTIONS! FAILURE TO FOLLOW THESE INSTRUCTIONS MAY VOID ANY PRODUCT WARRANTIES AND RESULT IN AN UNSUCCESSFUL INSTALLATION. FOR SPECIFIC QUESTIONS REGARDING THE INSTALLATION OF RENAISSANCE WOOD WALL PANELS PLEASE CALL THE FACTORY IN THE USA AT (800) 233-8493 OR EMAIL [IWPTECHSUPPORT@C-SGROUP.COM](mailto:IWPTECHSUPPORT@C-SGROUP.COM). IN CANADA CALL (888) 895-8955. FOR MORE INFORMATION ON ACROVYN WALL PANELS PLEASE SEE OUR WEBSITE AT [www.c-sgroup.com](http://www.c-sgroup.com).

### IMPORTANT NOTES - DO NOT OVERLOOK

- THE BUILDING ENVIRONMENT WHERE RENAISSANCE WOOD WALL PANELS ARE BEING INSTALLED MUST ALWAYS BE CLIMATE CONTROLLED.
- IDEAL ROOM TEMPERATURE DURING INSTALLATION IS BETWEEN 65°F - 75°F (18°C - 24°C).
- ROOM TEMPERATURE AFTER INSTALLATION MUST ALWAYS BE MAINTAINED BETWEEN 65°F - 75°F (18°C - 24°C).
- ALLOW MATERIALS TO ACCLIMATE TO FACILITY ROOM TEMPERATURE (MIN. 24 HOURS) BEFORE BEGINNING THE INSTALLATION.

### DO's & DONT's

**DO** READ ALL INSTRUCTIONS FOR ADHESIVE AND INSTALLATION PROCEDURES, PRIOR TO BEGINNING INSTALLATION.

**DO** MAKE SURE MATERIALS ARE KEPT FLAT, CLEAN AND IN A DRY AREA BEFORE ACCLIMATING THEM. MATERIAL SHOULD BE WELL SUPPORTED AND STORED TEMPERATURE SHOULD BE A MINIMUM OF 50°F (10°C) AND A MAXIMUM OF 100°F (38°C).

**DO** MAKE SURE MATERIALS ARE ACCLIMATED IN AN ENVIRONMENT OF 65°F - 75°F (18°C - 24°C) FOR AT LEAST 24 HOURS PRIOR TO BEGINNING THE INSTALLATION.

**DO** MAINTAIN PANEL ORIENTATION THROUGHOUT THE ENTIRE INSTALLATION.

**DO** WIPE THE BACK OF THE WALL PANEL WITH A CLEAN, DAMP CLOTH BEFORE INSTALLATION TO REMOVE ANY DUST AND DIRT.

**DO** WIPE THE WALL TO REMOVE ANY DUST OR DIRT.

**DO** REFER TO THE MSDS FOR DISPOSAL OF EXTRA ADHESIVE.

**DON'T** INSTALL WALL PANELS WHEN ROOM TEMPERATURE IS BELOW 65°F (18°C) OR ABOVE 75°F (24°C).

**DON'T** USE METHYL ETHYL KETONE (MEK) OR ANY SIMILAR SOLVENTS TO CLEAN WALL PANEL SURFACES.

**DON'T** USE SCOTCH-BRITE PADS, STEEL WOOL OR SIMILAR CLEANING PADS ON WALL PANELS.

**DON'T** STORE OR STAND PANELS ON END.

**DON'T** RUSH THE INSTALLATION.

# RENAISSANCE WOOD WALL PANELS

## ADHESIVE MOUNTED WALL PANELS

### TOOLS & EQUIPMENT

#### SUPPLIED BY CONTRACTOR

- CHALK LINE
- 4'-0" OR 6'-0" LEVEL
- CIRCULAR SAW (w/ CARBIDE TOOTH BLADE)
- STRAIGHT EDGE FOR USE WITH CIRCULAR SAW
- JIGSAW (w/ CARBIDE TOOTH BLADE)
- POWER MITER SAW (w/ CARBIDE TOOTH BLADE)
- \*FOR USE WHEN INSTALLING WAINSCOT MOLDING
- 29 oz. CAULKING GUN

#### SUPPLIED BY CONSTRUCTION SPECIALTIES

- RENAISSANCE WOOD WALL PANELS
- TRIM PIECES AS ORDERED
- M-1 STRUCTURAL ADHESIVE/SEALANT
- COLOR MATCHED STAIN AND FIL-STICK

### 1. INSPECTION, STORAGE AND HANDLING OF SHIPMENT

INSPECT ALL MATERIALS FOR DAMAGE OR MISSING PARTS. IF YOU DISCOVER DAMAGED OR MISSING MATERIALS, IN THE USA PLEASE NOTIFY THE FACTORY AT (800) 233-8493, AND IN CANADA (888) 895-8955.

**IMPORTANT! ALL PANELS MUST BE STORED FLAT IN A DRY AREA.**

ACCLIMATE THE WALL PANELS FOR AT LEAST 24 HOURS PRIOR TO INSTALLATION BY ALLOWING MATERIALS TO ADJUST TO ROOM TEMPERATURE AND RELATIVE HUMIDITY.

### 2. WALL PREPARATION

IF THE EXISTING WALL FINISH IS WALLPAPER, HEAVY GAUGE SHEET, LINOLEUM OR SIMILAR MATERIAL, IT SHOULD BE INSPECTED FOR LOOSE AREAS. IF LOOSE AREAS OF EXISTING SUBSTRATES ARE DISCOVERED, THEY SHOULD BE REMOVED.

ALL NEW OR EXISTING WALL SUBSTRATES SHOULD BE EXAMINED. THEY MUST BE CLEAN, SMOOTH, DRY AND FREE OF OILS, LOOSE PAINT AND/OR JOINT COMPOUND DUST PRIOR TO INSTALLATION.



MEASURE ALL WALLS TO DETERMINE LAYOUT AND PLACEMENT OF WALL PANELS. THIS SYSTEM IS DESIGNED TO USE CUSTOM MANUFACTURED PANEL AT ALL DOORS, CORNERS, ETC.

REFER TO DRAFTING DETAILS FOR SPECIFIED REVEAL WIDTH AND WALL PANEL LOCATIONS.

ACCURATE FIELD DIMENSIONS ARE REQUIRED IN ORDER TO PRODUCE THE PANELS CORRECTLY. UNLESS OTHER ARRANGEMENTS ARE MADE IT WILL BE THE RESPONSIBILITY OF THE CONTRACTOR TO PROVIDE THE DIMENSIONS.

# RENAISSANCE WOOD WALL PANELS

## ADHESIVE MOUNTED WALL PANELS

### 3. INSTALLATION

#### STARTING PROCEDURE

IF THE INSTALLATION IS FULL HEIGHT, ESTABLISH A PLUMB LINE AT THE EDGE OF THE FIRST PANEL. THIS WILL SERVE AS A STARTING POINT FOR MATERIAL TO BE INSTALLED ON THAT WALL AND ENSURE THAT ALL REMAINING PANELS WILL BE PLUMB. A PLUMB LINE SHOULD BE ESTABLISHED AT THE BEGINNING OF EACH NEW RUN OF MATERIAL.

IF THE WALL PANEL IS TO BE INSTALLED AT WAINSCOT HEIGHT, DETERMINE WHAT THE FINISHED HEIGHT IS TO BE AND ESTABLISH A LEVEL LINE THE ENTIRE LENGTH OF THE RUN. INSTALL ALL WALL PANELING BY ALIGNING THE TOP EDGE WITH THIS LINE. ESTABLISH A LEVEL LINE AT THE BEGINNING OF EACH NEW RUN OF MATERIAL.

DETERMINING WHERE THE FIRST PLUMB LINE IS LOCATED WILL BE THE RESPONSIBILITY OF THE INSTALLER. PROJECT DRAWINGS, IF AVAILABLE, SHOULD BE REVIEWED IN CASE JOINT LOCATIONS HAVE ALREADY BEEN PREDETERMINED.

IT IS SUGGESTED THAT THE CENTER OF THE WALL BE THE STARTING POINT FOR PANEL INSTALLATION. PANELS CAN BE INSTALLED FROM THE CENTER; WORKING OUTWARD PROVIDING FOR END PANELS THAT ARE OF AN EQUAL DIMENSION.

IF A WALL HAS A PREFABRICATED OUTSIDE CORNER, THE CORNER SHOULD BE INSTALLED PLUMB AND THE REMAINING PANELS SHOULD BE INSTALLED STARTING WITH THE CORNER.

ACROVYN REVEALS SHOULD BE INSTALLED PRIOR TO PANEL INSTALLATION. REFER TO C/S SHOP DRAWINGS FOR REVEAL WIDTH AND PLACEMENT. BEFORE APPLYING ACROVYN REVEALS BE SURE ALL WALL SURFACES ARE CLEAN, SMOOTH, DRY AND FREE OF ANY LOOSE PAINT OR ANY OTHER IRREGULARITIES WHICH WOULD PREVENT GOOD ADHESION.

CUT REVEAL STRIPS TO LENGTH. BEGINNING AT ONE END, PARTIALLY REMOVE THE ADHESIVE BACKING AND START APPLYING THE REVEAL STRIP. APPLY PRESSURE TO THE ENTIRE SURFACE OF THE REVEAL. PRESSURE ROLL TO SET THE ADHESIVE.

#### PANEL PREPARATION

STARTING AT THE END OF A RUN, MARK PANEL(S) AND MAKE ANY NECESSARY CUTOUTS. DRY FIT THE PANELS PRIOR TO APPLYING THE ADHESIVE. PLACE THE PANEL FACE DOWN ON A WORKTABLE, WHILE PROTECTING THE FINISHED SURFACE, AND WIPE THE BACK WITH A CLEAN DAMP CLOTH TO REMOVE ANY DUST AND DIRT.

#### ADHESIVE APPLICATION

APPLY A 1/4" BEAD OF CONSTRUCTION ADHESIVE TO THE PANEL. APPLY THE ADHESIVE ON 18" [457.2mm] TO 20" [508mm] CENTERS AND AROUND THE ENTIRE PERIMETER MAINTAINING A MAXIMUM 1" [25.4mm] SPACE FROM THE EDGE. ONE 28-oz. TUBE WILL COVER 80ft<sup>2</sup> [7.4m<sup>2</sup>] OF PANELS. THE BEAD SIZE SHOULD BE INCREASED ON UNEVEN SUBSTRATES TO INSURE ADHESION.

NOTE: INSTALL THE PANEL IMMEDIATELY TO PREVENT THE ADHESIVE FROM "SKINNING OVER". YOU MUST FOLLOW THE INSTRUCTIONS TO GET FULL ADHESION.



**RENAISSANCE WOOD WALL PANELS**  
ADHESIVE MOUNTED WALL PANELS

PANEL INSTALLATION

ALIGN THE PANEL WITH THE LEVEL OR PLUMB LINE ESTABLISHED EARLIER. ONCE POSITIONED, INSTALL THE PANEL TO SUBSTRATE BY PUSHING IT AGAINST THE WALL WITH EVEN PRESSURE, ENSURING FULL ADHESIVE TRANSFER.

IMMEDIATELY REMOVE ANY ADHESIVE FROM THE PANEL THAT MAY HAVE ACCIDENTALLY GOTTEN ON THE WOOD USING ISOPROPYL ALCOHOL, MINERAL SPIRITS OR DILUTED ACETONE. TRIM SCREWS OR FINISHING NAILS MUST BE USED TO SECURE THE PANEL IN PLACE UNTIL THE ADHESIVE CURES. PLACEMENTS OF TRIM SCREWS OR FINISHING NAILS MUST BE CONCEALED WITH COLOR MATCH FIL-STIK.

NOTE: IT IS NECESSARY TO BRACE PANELS FOR 24 HOURS TO ENSURE OPTIMUM CONTACT. NOT FOLLOWING THIS STEP MAY RESULT IN ADHESION FAILURE.

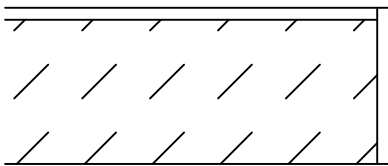
CLEAN UP

UPON COMPLETION OF THE INSTALLATION, REMOVE ALL PROTECTIVE MATERIALS (MASKING TAP, ETC.) EXCEPT FOR THE DROP CLOTHS. INSPECT ALL JOINTS AND CUTOUTS TO ENSURE THAT ALL EXCESS ADHESIVES HAVE BEEN REMOVED. ALCOHOL OR MINERAL SPIRITS CAN BE USED TO REMOVE EXCESS ADHESIVE. CONTACT WITH PANEL SURFACES MUST BE AVOIDED WHEN USING THESE CLEANING AGENTS. ONCE THE INSPECTION AND CLEAN-UP HAVE BEEN COMPLETED, THE DROP CLOTHS CAN BE REMOVED AND THE COVER PLATES AND OTHER WALL MOUNTED ITEMS CAN BE INSTALLED.

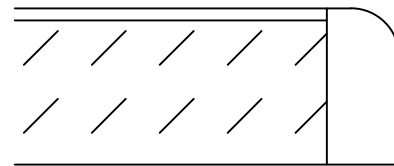
REFER TO C/S ACROVYN CARE AND MAINTENANCE INSTRUCTIONS FOR TIPS ON MAINTAINING THE WALL PANELS.



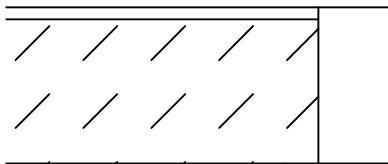
STANDARD & OPTIONAL PANEL EDGES



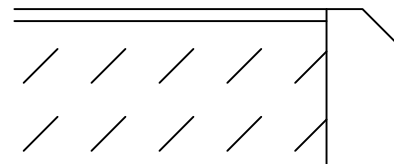
STANDARD VENEER EDGE



OPTIONAL RADIUS LUMBER EDGE

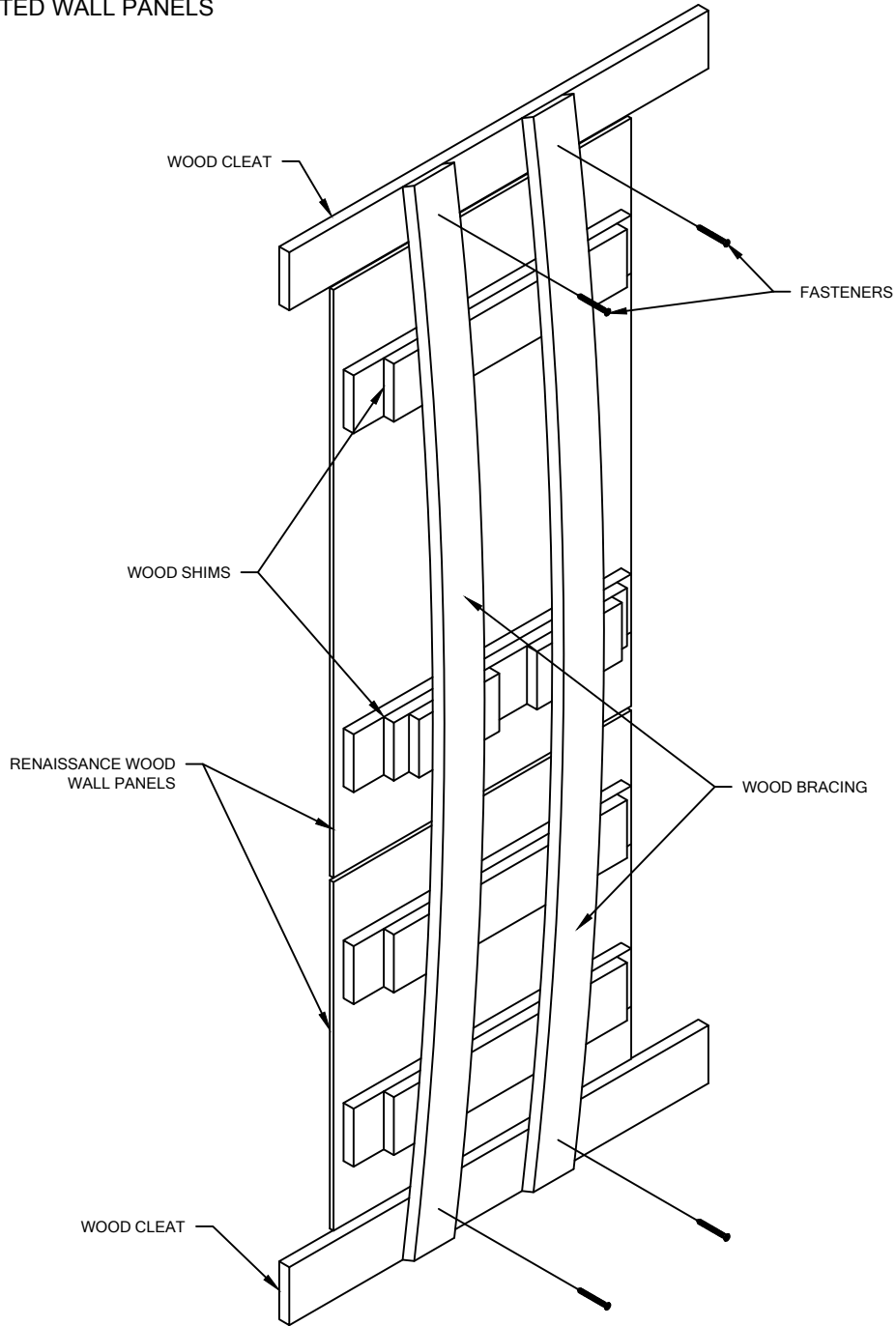


OPTIONAL SQUARE LUMBER EDGE



OPTIONAL BEVELED LUMBER EDGE

**RENAISSANCE WOOD WALL PANELS**  
ADHESIVE MOUNTED WALL PANELS



**PANEL BRACING**

1. INSTALL RENAISSANCE WOOD WALL PANELS PER INSTRUCTIONS.
2. ATTACH WOOD CLEATS TO WALL SUBSTRATE ABOVE AND BELOW RENAISSANCE WOOD WALL PANELS.
3. LOOSELY ATTACH WOOD BRACING TO THE TOP AND BOTTOM CLEAT. ONCE SECURE, WEDGE THE WOOD SHIMS BETWEEN THE BRACING AND THE WALL PANEL.

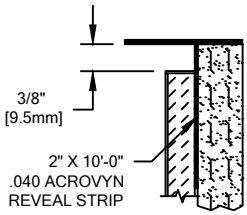
**NOTE:** MULTIPLE SHIMS MAY BE NEEDED TO ACHIEVE THE NECESSARY HOLDING PRESSURE.

4. ONCE ALL WOOD SHIMS ARE IN PLACE, TIGHTLY SECURE THE WOOD BRACING TO THE TOP AND BOTTOM CLEATS.

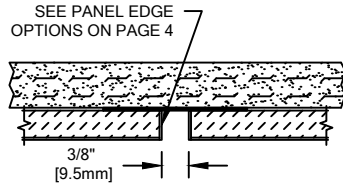
**NOTE:** IT IS NECESSARY TO BRACE PANELS FOR 24 HOURS TO ENSURE OPTIMUM CONTACT. NOT FOLLOWING THIS STEP MAY RESULT IN ADHESION FAILURE.

**RENAISSANCE WOOD WALL PANELS**  
ADHESIVE MOUNTED WALL PANELS

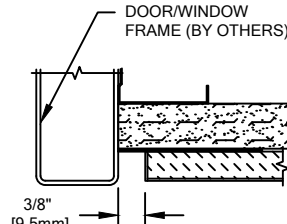
**INSTALLATION DETAILS**



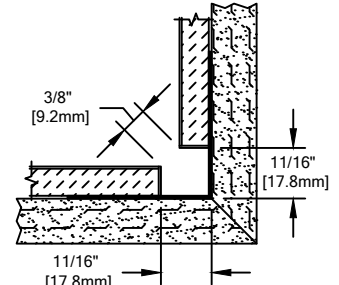
CEILING REVEAL



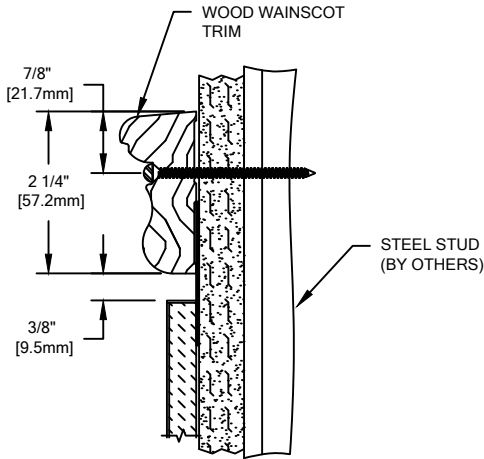
VERTICAL REVEAL



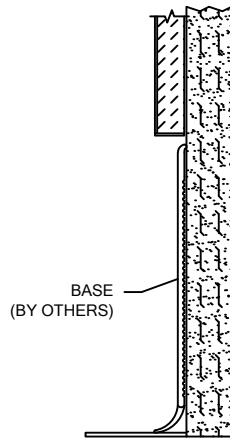
END REVEAL



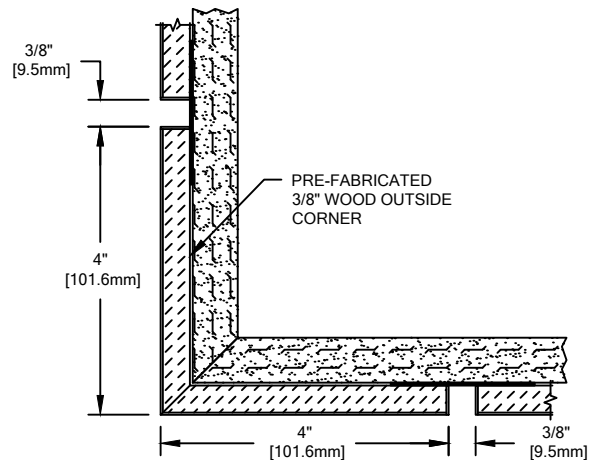
INSIDE CORNER REVEAL



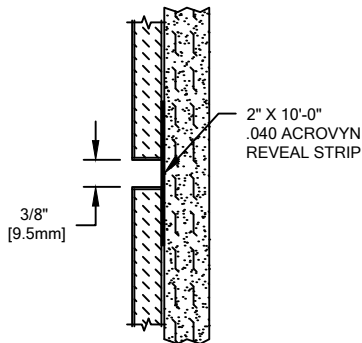
WAINSCOT REVEAL



BASE CONDITION



OUTSIDE CORNER REVEAL



HORIZONTAL REVEAL

**NOTE:** INSTALLATION DETAILS SHOWN WITH VENEER EDGE WALL PANELS. SEE PAGE 4 FOR ADDITIONAL PANEL EDGE OPTIONS.