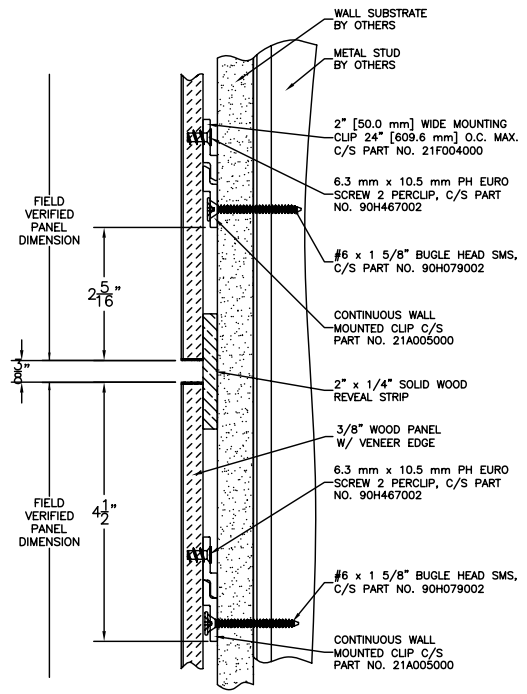
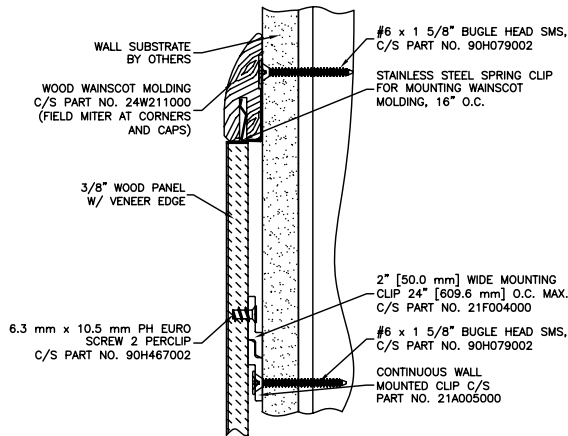


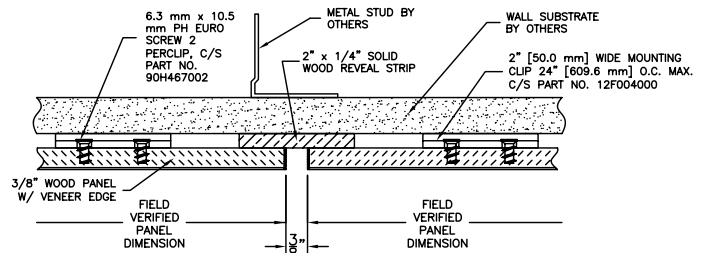
BASE CONDITION



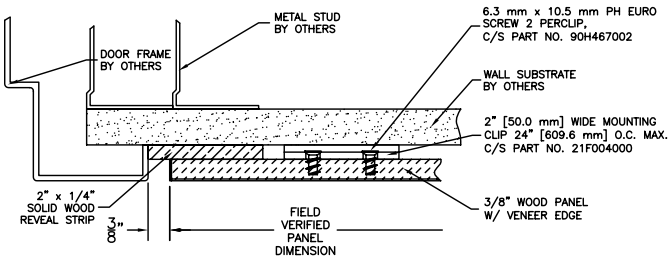
HORIZONTAL REVEAL



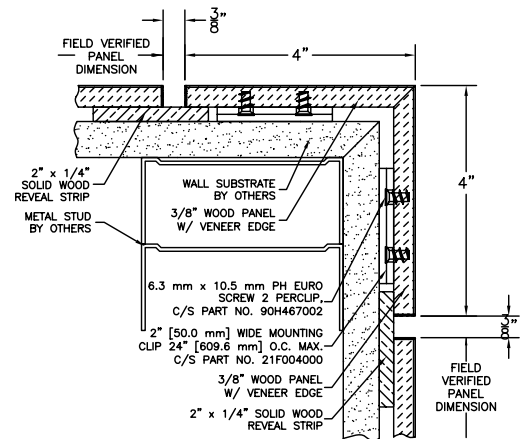
WOOD WAINSCOT



VERTICAL REVEAL



END REVEAL



OUTSIDE CORNER



C/S WALL PANELS ARE UL RATED AND MEET CLASS 1 FIRE RATING WHEN TESTED IN ACCORDANCE WITH ASTM-E84-01

WOOD 3/8" VEENER EDGE WALL PANEL AT PARTIAL HEIGHT WITH DEMOUNTABLE "Z" CLIP SYSTEM

C/S GROUP

MUNCY, PA 17756
MISSISSAUGA, ONTARIO, CANADA

PROJECT:		REV. :
LOCATION:		F&F:
CUSTOMER:		SHEET OF
AGENT:		JOB NO.
DWG. BY:	DATE:	