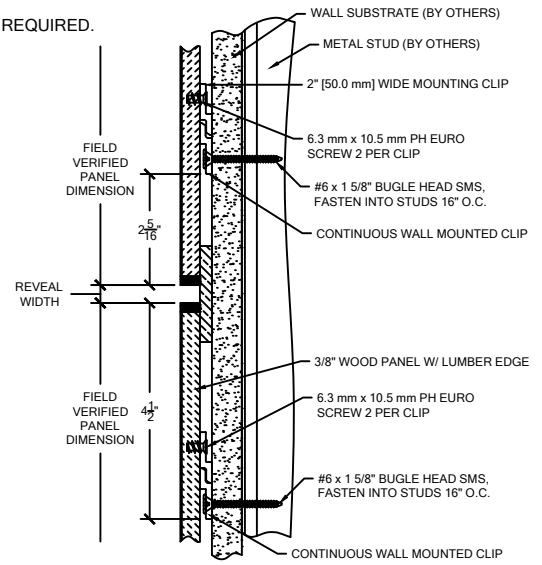
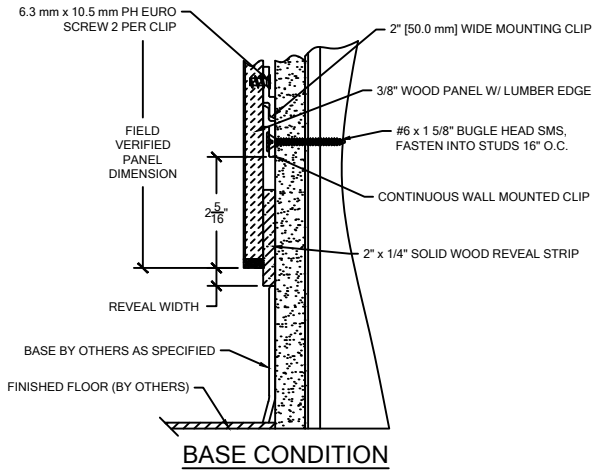
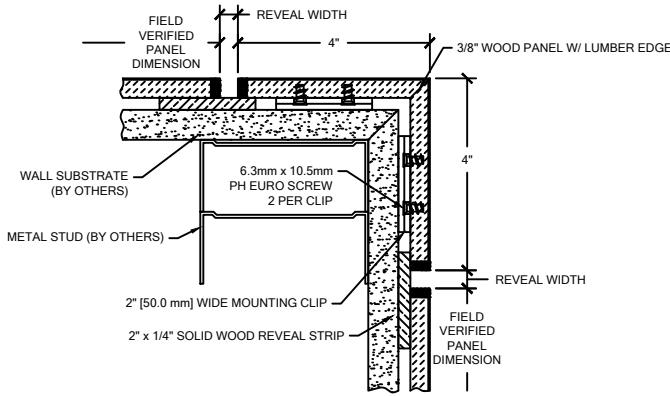


NOTES:

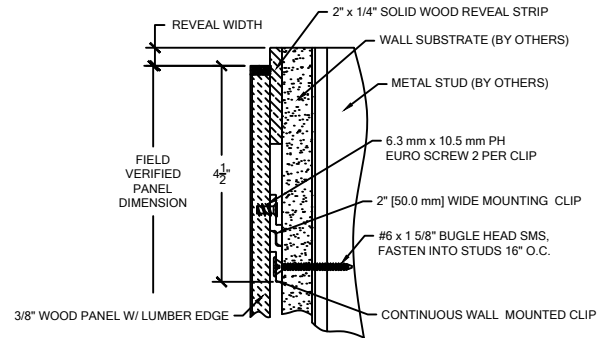
1. MAXIMUM SQUARE LUMBER EDGE PANEL SIZE IS 48" X 120".
2. ALL WALL PANELS HAVE A NOMINAL THICKNESS OF 3/8".
3. WOOD GRAIN DIRECTION IS PARALLEL TO THE 120" SIDE OF A VENEER EDGE PANEL UNLESS OTHERWISE NOTED.
4. PANEL SYSTEM IS DESIGNED TO BE FACTORY CUT. THEREFORE FIELD VERIFIED DIMENSIONS ARE REQUIRED.



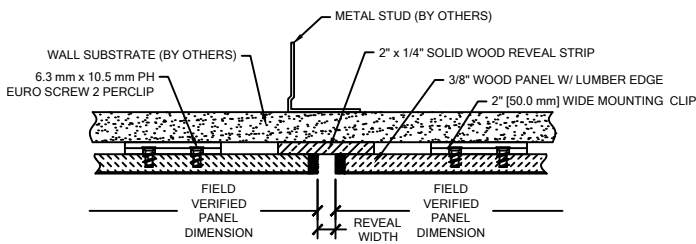
HORIZONTAL REVEAL



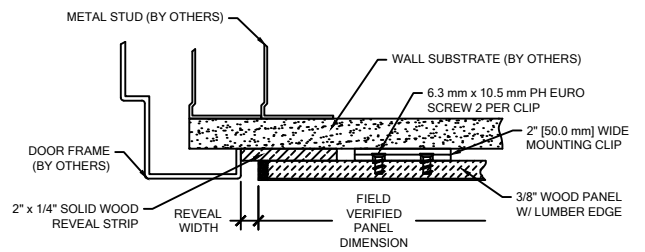
OUTSIDE CORNER



PANEL TOP



VERTICAL REVEAL



END REVEAL



CS WALL PANELS ARE UL RATED AND MEET CLASS A/1 FIRE RATING WHEN TESTED IN ACCORDANCE WITH ASTM-E84

**SQUARE LUMBER EDGE
RENAISSANCE WALL PANELS
DEMOUNTABLE "Z" CLIP SYSTEM
AT FULL HEIGHT**



Hughesville, PA | 800.233.8493 | 570.546.5941
Mississauga, ON | 888.895.8955 | 905.274.3611
www.c-sgroup.com

© Copyright 2017 Construction Specialties, Inc.

| | |
|------------------|------------------|
| PROJECT: | REVISION: |
| JOB NO.: | F&F: |
| CUSTOMER: | |
| REP: | DATE: |
| DRAWN BY: | SHEET NO: |