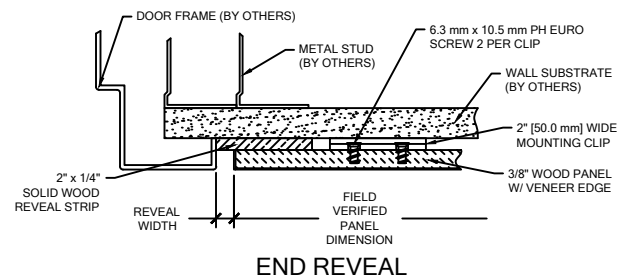
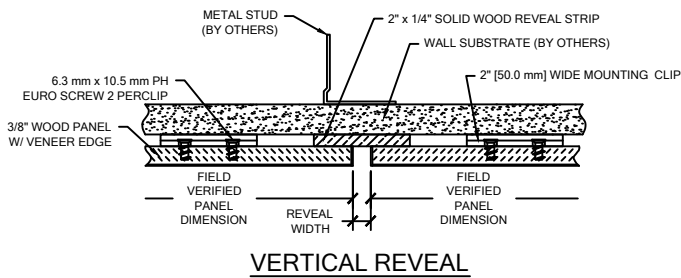
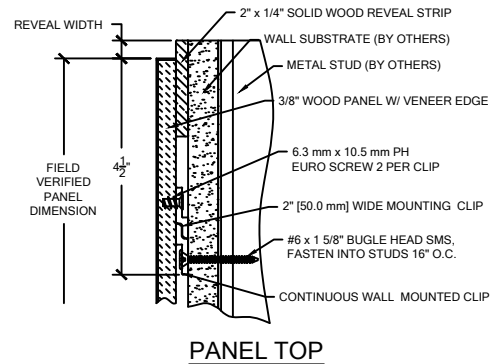
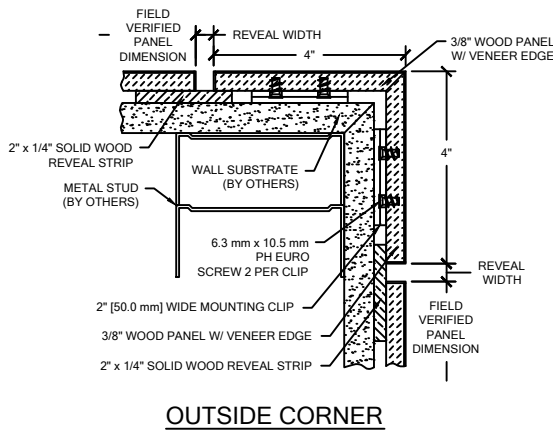
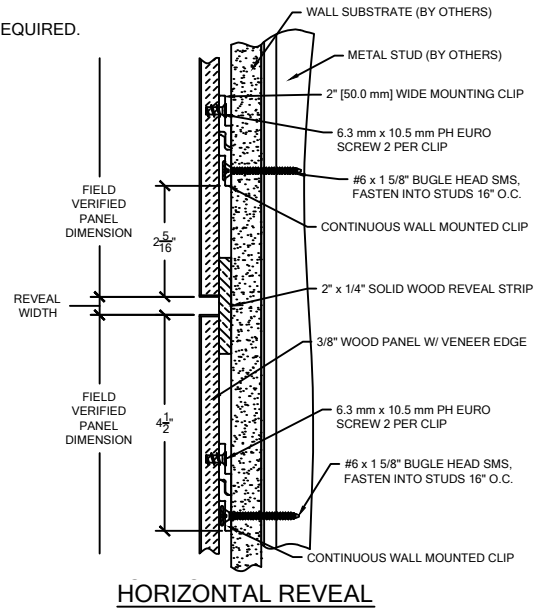
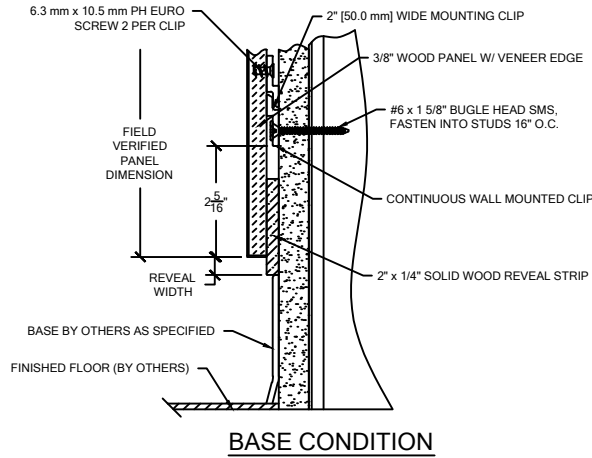


NOTES:

1. MAXIMUM VENEER EDGE PANEL SIZE IS 48" X 120".
2. ALL WALL PANELS HAVE A NOMINAL THICKNESS OF 3/8".
3. WOOD GRAIN DIRECTION IS PARALLEL TO THE 120" SIDE OF A VENEER EDGE PANEL UNLESS OTHERWISE NOTED.
4. PANEL SYSTEM IS DESIGNED TO BE FACTORY CUT. THEREFORE FIELD VERIFIED DIMENSIONS ARE REQUIRED.



VENEER EDGE RENAISSANCE WALL PANELS DEMOUNTABLE "Z" CLIP SYSTEM AT FULL HEIGHT



C/S WALL PANELS ARE UL RATED AND MEET CLASS A/1 FIRE RATING WHEN TESTED IN ACCORDANCE WITH ASTM-E84



Construction Specialties™

6696 Route 405 Highway, Muncy PA 17756
(800) 233-8493 • Fax (570) 546-4692 • www.c-sgroup.com

PROJECT:	REVISION:
JOB NO.:	F&F:
CUSTOMER:	
REP:	DATE:
DRAWN BY:	SHEET NO: