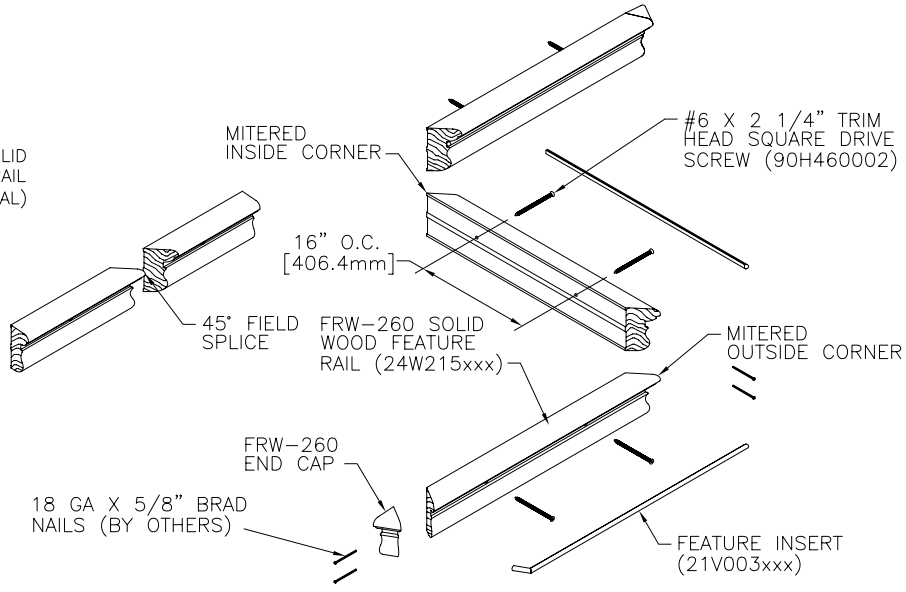
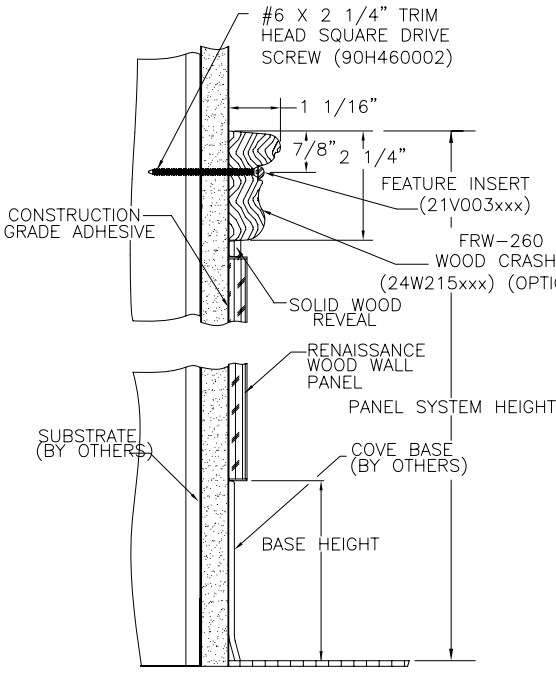
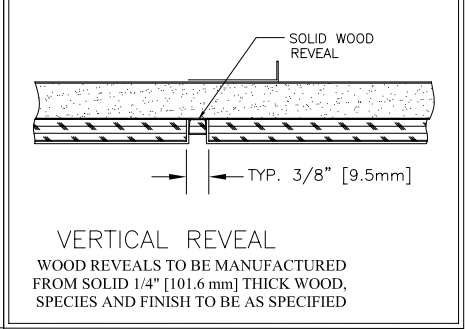
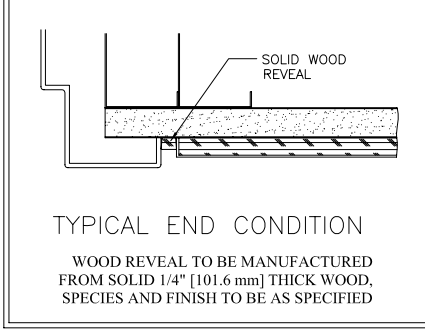


FABRICATION SCHEDULE	
WALL PANEL SCHEDULE	
RELEASE:	
PANEL SIZE	FINISH
FRW-260 SCHEDULE	
SPECIES:	
FINISH:	
* INSERT COLOR:	
ITEM	QTY
LINEAL FOOTAGE	
END CAPS	

FABRICATION AND APPEARANCE OF FRW-260 MATERIAL IS BASED ON FACTORY CUT AND ATTACHED END CAPS. IF STOCK SIZES ARE REQUIRED, END CAPS MUST BE CUT IN THE FIELD BY INSTALLER OR C/S WILL NOT GUARANTEE MATCH AND APPEARANCE OF CAPS TO RAIL.



VENEERED EDGE, RENAISSANCE WOOD WALL PANEL AT PARTIAL HEIGHT WITH PERMANENT ADHESIVE SYSTEM



C/S WALL PANELS ARE UL RATED AND MEET CLASS 1 FIRE RATING WHEN TESTED IN ACCORDANCE WITH ASTM-E84-01

*PLEASE CHOOSE INSERT COLOR BLACK, GREEN, OR PEARL

ADHESIVE MOUNTED PANELS ARE AVAILABLE IN 3/8" THICKNESS ONLY.

STANDARD REVEAL SPACING IS 3/8". SPECIFY IF DIFFERENT REVEAL WIDTH IS REQUIRED. IF SOLID WOOD REVEALS ARE NOT REQUIRED, PANELS MAY BE BUTTED TOGETHER.

REVEALS TO BE INSTALLED AFTER PANELS ARE ADHERED TO SUBSTRATE.

C/S GROUP
MUNCY, PA 17756
MISSISSAUGA, ONTARIO, CANADA

PROJECT:	REV. :
LOCATION:	F&F:
CUSTOMER:	SHEET OF
AGENT:	JOB NO.
DWG. BY:	DATE: