

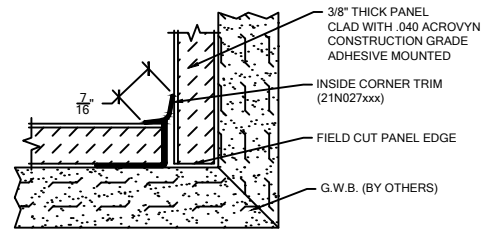
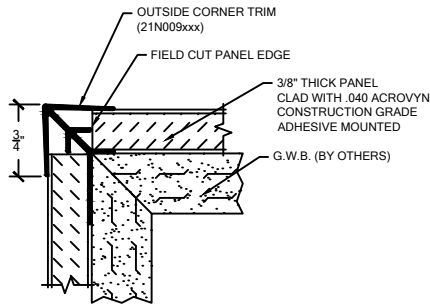
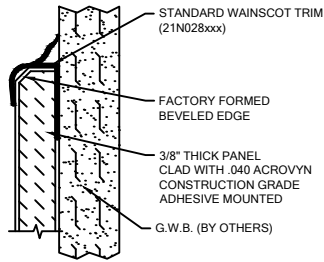
**COLOR:** \_\_\_\_\_  
 COLOR TO BE SELECTED FROM ONE OF C/S STANDARD COLORS. CHAMELEON PATTERNS/COLORS ARE AVAILABLE ON PANELS ONLY. TRIMS ARE ONLY AVAILABLE IN SOLID/BASE COLORS.

**TEXTURE:** \_\_\_\_\_  
 SUEDE TEXTURE IS STANDARD. ADDITIONAL TEXTURES AVAILABLE UPON REQUEST. ADDITIONAL TEXTURES MAY EFFECT PRICE.

- NOTES:**
1. MAXIMUM BEVELED EDGE PANEL SIZE IS 43" X 114".
  2. ALL WALL PANELS HAVE A NOMINAL THICKNESS OF 3/8".
  3. CHAMELEON PATTERN DIRECTION IS PARALLEL TO THE 114" SIDE OF A BEVELED EDGE PANEL AND CAN NOT BE CHANGED.

**WALL PANEL FABRICATION SCHEDULE**

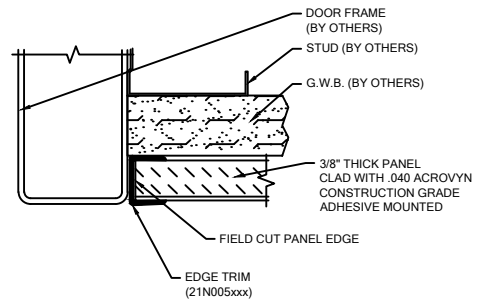
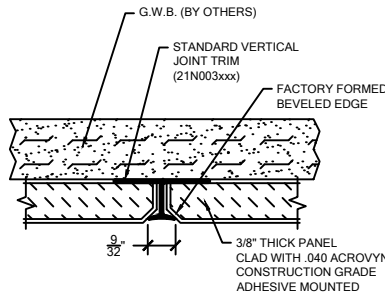
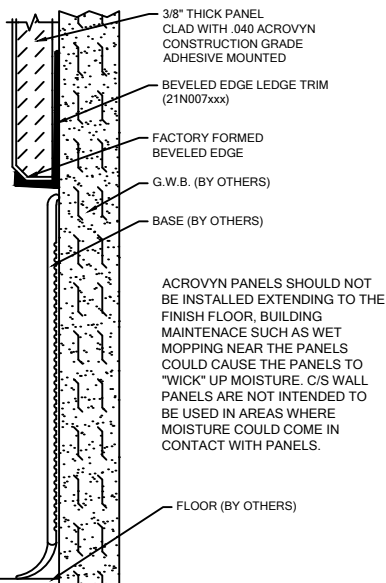
RELEASE	PANEL SIZE	COLOR



**STANDARD WAINSCOT TRIM**  
**COLOR:** \_\_\_\_\_  
**QTY.:** \_\_\_\_\_

**OUTSIDE CORNER TRIM**  
**COLOR:** \_\_\_\_\_  
**QTY.:** \_\_\_\_\_

**INSIDE CORNER TRIM**  
**COLOR:** \_\_\_\_\_  
**QTY.:** \_\_\_\_\_



**BEVELED EDGE LEDGE TRIM**  
**COLOR:** \_\_\_\_\_  
**QTY.:** \_\_\_\_\_

**VERTICAL JOINT TRIM**  
**COLOR:** \_\_\_\_\_  
**QTY.:** \_\_\_\_\_

**EDGE TRIM**  
**COLOR:** \_\_\_\_\_  
**QTY.:** \_\_\_\_\_

ACROVYN PANELS SHOULD NOT BE INSTALLED EXTENDING TO THE FINISH FLOOR, BUILDING MAINTENANCE SUCH AS WET MOPPING NEAR THE PANELS COULD CAUSE THE PANELS TO "WICK" UP MOISTURE. C/S WALL PANELS ARE NOT INTENDED TO BE USED IN AREAS WHERE MOISTURE COULD COME IN CONTACT WITH PANELS.



C/S WALL PANELS ARE UL RATED AND MEET CLASS B/2 FIRE RATING WHEN TESTED IN ACCORDANCE WITH ASTM-E84

**BEVELED EDGE WALL PANELS AT PARTIAL HEIGHT WITH ACROVYN TRIMS**

<b>PROJECT:</b>	<b>REVISION:</b>
<b>JOB NO.:</b>	<b>F&amp;F:</b>
<b>CUSTOMER:</b>	<b>DATE:</b>
<b>REP:</b>	<b>SHEET NO:</b>
<b>DRAWN BY:</b>	

**CS Construction Specialties™**  
 6696 Route 405 Highway, Muncy PA 17756  
 (800) 233-8493 • Fax (570) 546-4692 • www.c-sgroup.com