

COLOR: _____
 COLOR TO BE SELECTED FROM ONE OF C/S
 STANDARD COLORS

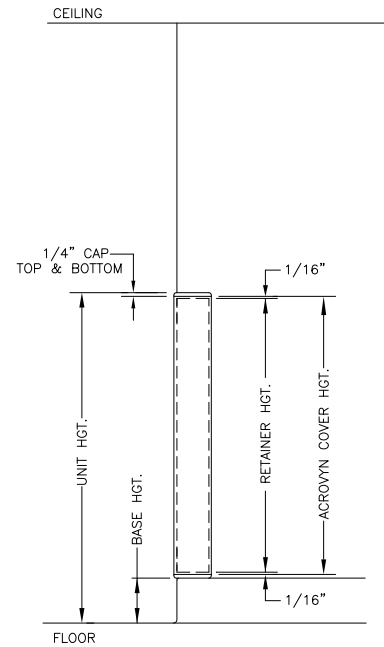
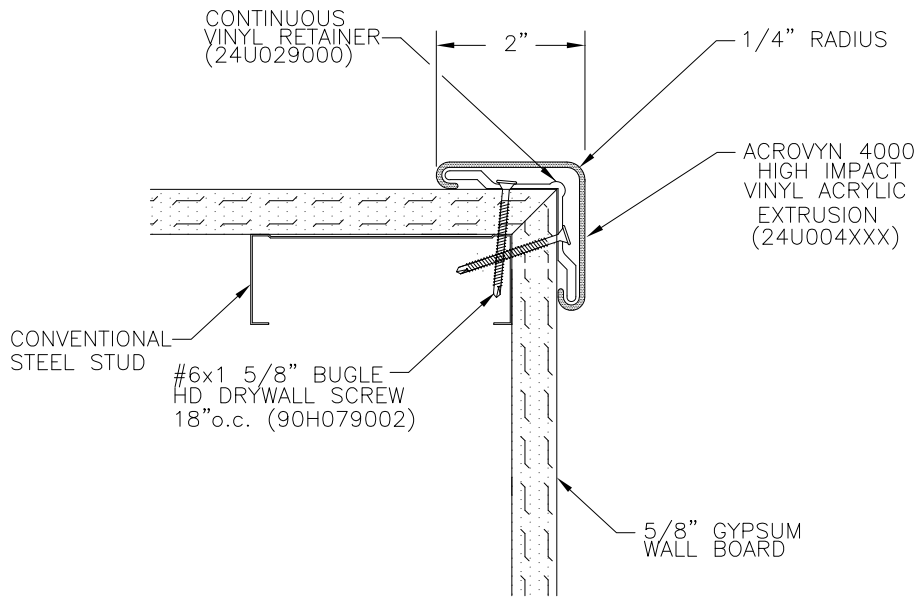
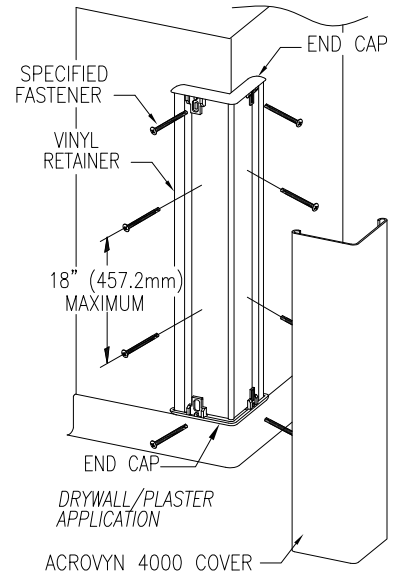
QTY. REQ'D	UNIT HEIGHT	RET. LENGTH	COVER LENGTH

1. INSTALL RETAINER 1/4"(6.4mm) ABOVE COVE BASE OR
 FINISH FLOOR USING THE REQUIRED FASTENERS AS NOTED
 ON REVERSE.

2. INSTALL THE BOTTOM END CAP BY ABUTTING THE CAP
 WITH THE END OF THE RETAINER, ALLOWING THE FLANGES
 TO OVERLAP THE END OF THE RETAINER AS SHOWN.
 SECURE INTO POSITION USING THE SPECIFIED FASTENERS.

NOTE: TO AID IN LOCATING THE END CAPS CORRECTLY,
 CUT A 4"(101.6mm) SECTION OF GUARD FROM SCRAP
 AND SNAP IT ON THE RETAINER. LOCATE THE CAP SO
 IT ALIGNS FLUSH WITH TOP AND BOTTOM OF THE GUARD.

3. REPEAT THE PROCEDURE TO INSTALL THE TOP END CAP
 4. FINISH INSTALLATION BY SNAPPING THE ACROVYN COVER
 ONTO THE RETAINER.



SSM-20N

WALL CONDITION	SPECIFIED FASTENER	DRILL DIAMETERS		PART NUMBER
		WALL	RETAINER	
STEEL STUD/GYPSUM WALL WOOD STUD/GYPSUM WALL	#6 X 1-5/8" BUGLE HD. SMS	N/A	7/64"	90H079002
CONCRETE/CONC. BLOCK	{ AF-6 PLASTIC ANCHOR #10 X 1-1/2" PHILLIPS PAN HD. SMS }	15/64"	9/32"	90H039004 90H189002
		N/A	5/32"	90H018011 90H010003

SURFACE MOUNTED GUARD
 AT PARTIAL HEIGHT ELEVATION



PROJECT:	REV.
LOCATION:	F&F
CUSTOMER:	SHEET
AGENT:	JOB NO.
DWG. BY:	DATE: