

COLOR: _____
 COLOR TO BE SELECTED FROM ONE OF C/S
 STANDARD COLORS

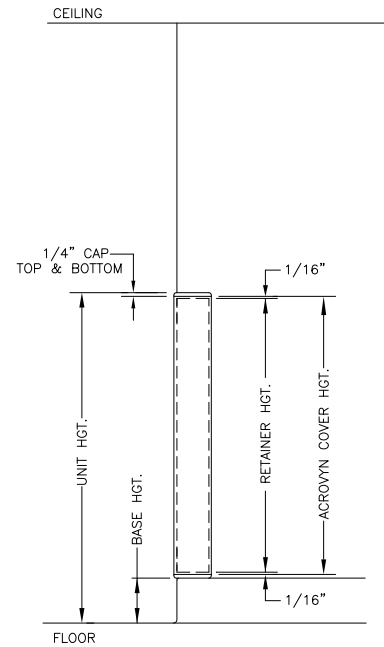
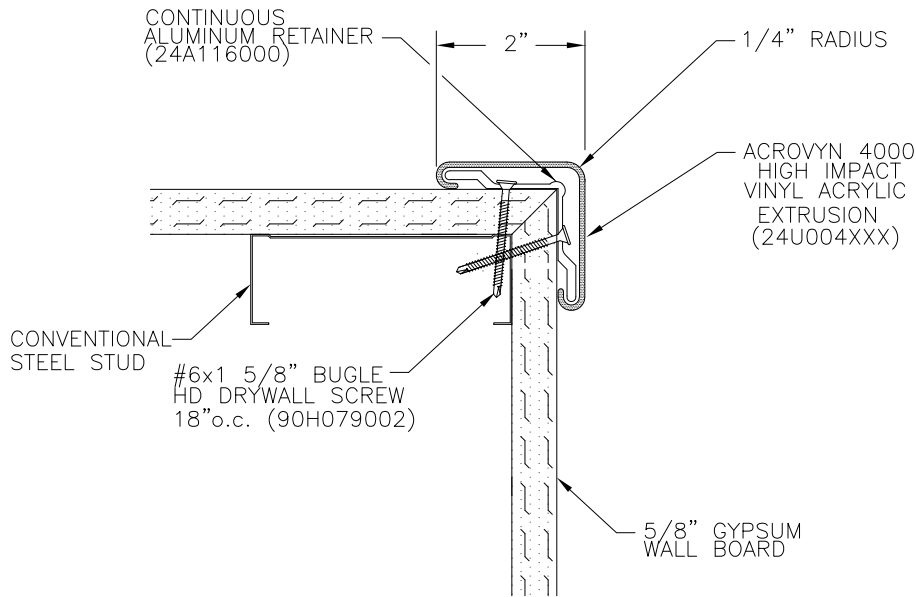
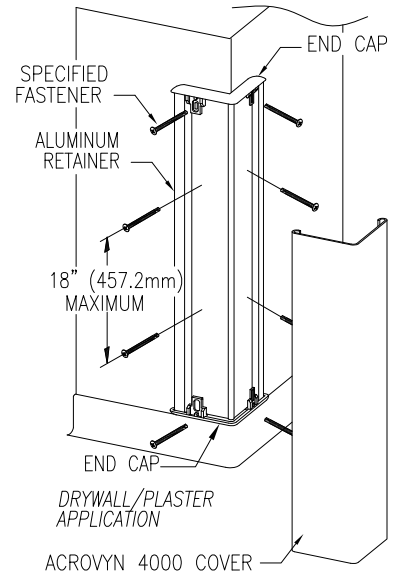
QTY. REQ'D	UNIT HEIGHT	RET. LENGTH	COVER LENGTH

1. INSTALL RETAINER 1/4"(6.4mm) ABOVE COVE BASE OR FINISH FLOOR USING THE REQUIRED FASTENERS AS NOTED ON REVERSE.

2. INSTALL THE BOTTOM END CAP BY ABUTTING THE CAP WITH THE END OF THE RETAINER, ALLOWING THE FLANGES TO OVERLAP THE END OF THE RETAINER AS SHOWN. SECURE INTO POSITION USING THE SPECIFIED FASTENERS.

NOTE: TO AID IN LOCATING THE END CAPS CORRECTLY, CUT A 4"(101.6mm) SECTION OF GUARD FROM SCRAP AND SNAP IT ON THE RETAINER. LOCATE THE CAP SO IT ALIGNS FLUSH WITH TOP AND BOTTOM OF THE GUARD.


3. REPEAT THE PROCEDURE TO INSTALL THE TOP END CAP
 4. FINISH INSTALLATION BY SNAPPING THE ACROVYN COVER ONTO THE RETAINER.



SSM-20AN

WALL CONDITION	SPECIFIED FASTENER	DRILL DIAMETERS		PART NUMBER
		WALL	RETAINER	
STEEL STUD/GYPSUM WALL WOOD STUD/GYPSUM WALL	#6 X 1-5/8" BUGLE HD. SMS	N/A	7/64"	90H079002
CONCRETE/CONC. BLOCK	{ AF-6 PLASTIC ANCHOR #10 X 1-1/2" PHILLIPS PAN HD. SMS }	15/64"	9/32"	90H039004 90H189002
		N/A	5/32"	90H018011 90H010003

SURFACE MOUNTED GUARD AT PARTIAL HEIGHT ELEVATION

 <p>Construction Specialties™ 6696 Route 405 Highway, Muncy PA 17756 (800) 233-8493 • Fax (570) 546-4692 • www.c-sgroup.com</p>	PROJECT:		REV.
	LOCATION:		F&F
	CUSTOMER:		SHEET
	AGENT:		JOB NO.
	DWG. BY:	DATE:	