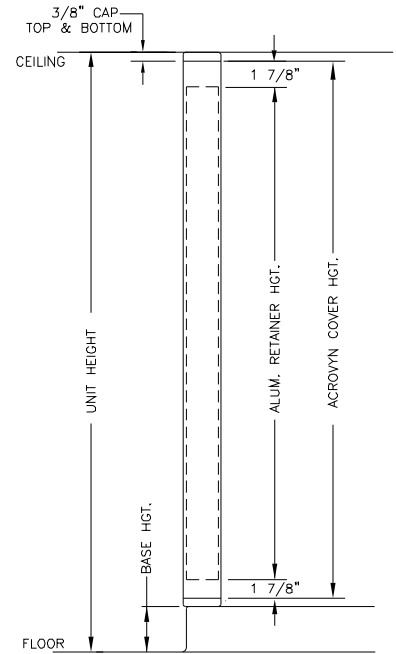
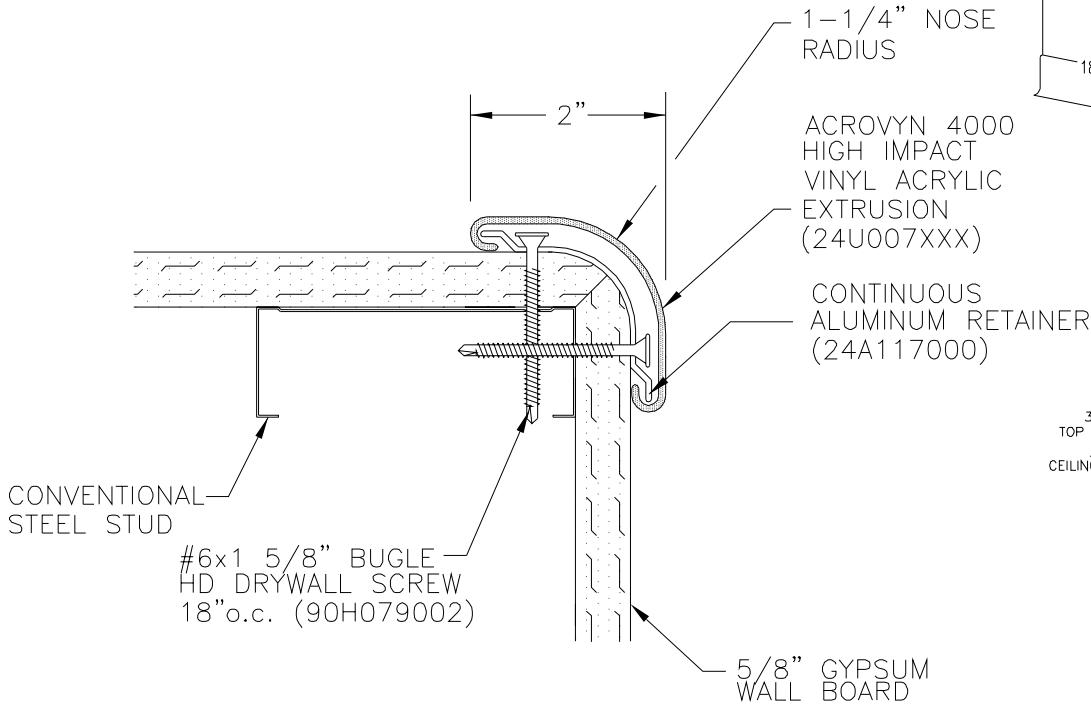
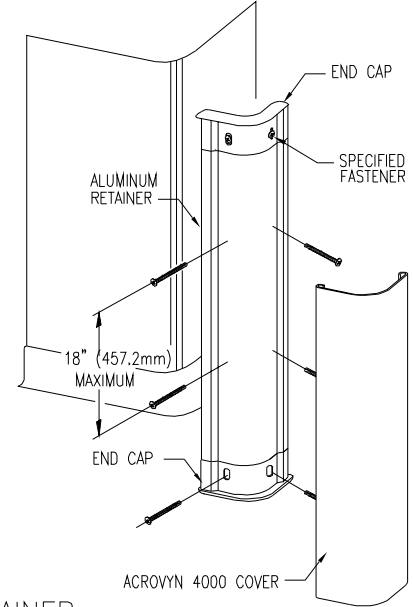


COLOR: \_\_\_\_\_  
 COLOR TO BE SELECTED FROM ONE OF C/S  
 STANDARD COLORS

QTY. REQ'D	UNIT HGT.	RET. LENGTH	COVER LENGTH	BASE HGT.	COLOR


1. INSTALL BOTTOM END CAP AGAINST THE COVE BASE OR FINISH FLOOR USING THE REQUIRED FASTENERS AS NOTED ON REVERSE
2. ALIGN THE RETAINER WITH THE BOTTOM END CAP. MAKE SURE THAT THE RETAINER IS PLUMB WITH THE ADJACENT WALL SURFACE AND SECURE INTO POSITION USING THE SPECIFIED FASTENERS
3. INSTALL THE TOP END CAP, IF REQUIRED, BY ALIGNING THE CAP WITH THE TOP OF THE RETAINER AND SECURE THE CAP USING THE SPECIFIED FASTENERS.
4. FINISH INSTALLATION BY SNAPPING THE ACROVYN COVER ONTO THE RETAINER.
5. DRYWALL CORNER MUST BE SHAVED DOWN FOR RETAINER TO FIT.



SSM-10 N

WALL CONDITION	SPECIFIED FASTENER	DRILL DIAMETERS		PART NUMBER
		WALL	RETAINER	
STEEL STUD/GYPSUM WALL WOOD STUD/GYPSUM WALL	#6 X 1-5/8" BUGLE HD. SMS	N/A	7/64"	90H079002
CONCRETE/CONC. BLOCK	{ AF-6 ALLIGATOR ANCHOR #10 X 1-1/2" PHILLIPS PAN HD. SMS }	15/64"	9/32"	90H039004 90H189002

SURFACE MOUNTED GUARD  
 AT FULL HEIGHT ELEVATION

 <b>Construction Specialties™</b> 6696 Route 405 Highway, Muncy PA 17756 (800) 233-8493 • Fax (570) 546-4692 • www.c-sgroup.com	PROJECT:		REV.
	LOCATION:		F&F
	CUSTOMER:		SHEET OF
	AGENT:		JOB NO.
	DWG. BY:	DATE:	