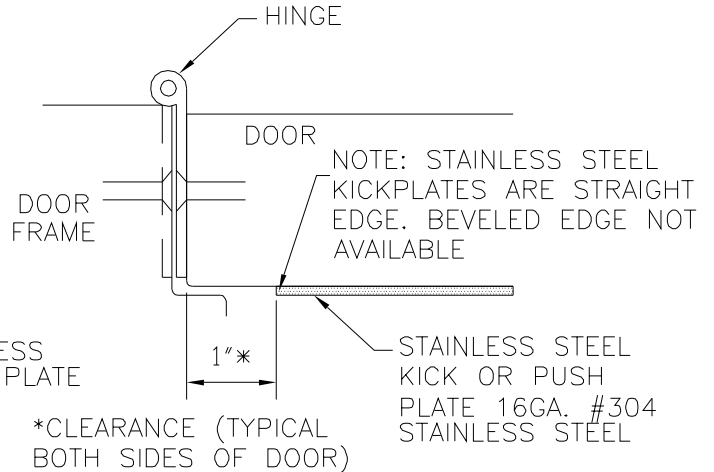
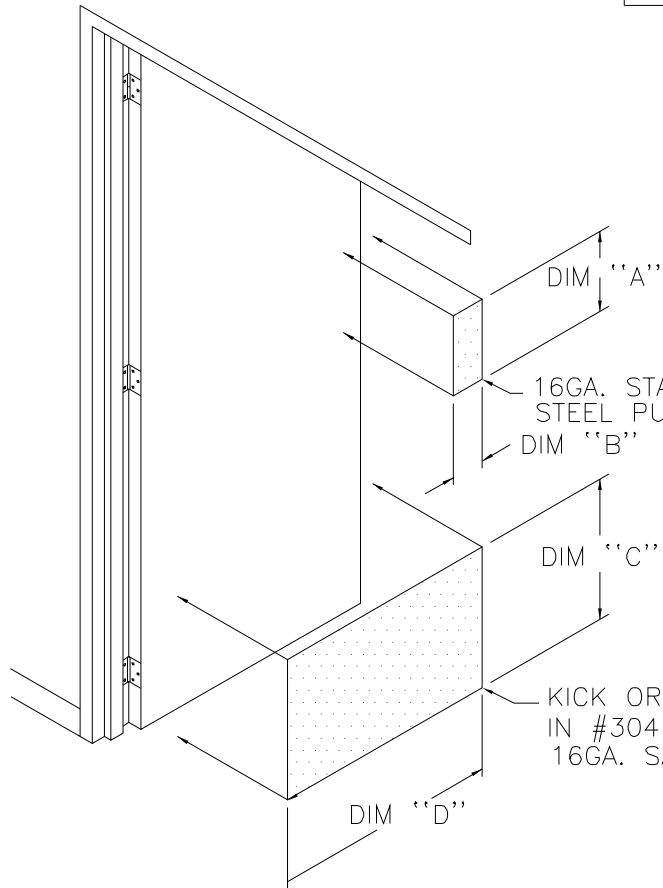


UNITS REQ'D	DIM. A	DIM. B	DIM. C	DIM. D



DETAIL AT HINGE
DOOR IN CLOSED POSITION

PUSHPLATES AND KICKPLATES TO BE INSTALLED USING FIELD APPLIED CONTACT ADHESIVE SUPPLIED BY C/S. UNLESS OTHERWISE NOTED

- CONTRACTOR NOTE:
- 1) ALL DIMENSIONS SHOWN ARE ACTUAL PUSH-PLATE, KICKPLATE DIMENSIONS.
 - 2.) STAINLESS STEEL PUSHPLATES, AND KICK PLATES ARE SUPPLIED IN #304 STAINLESS STEEL 16GA. THICKNESS
 - 3) PUSHPLATES AND KICKPLATES TO BE INSTALLED USING FIELD APPLIED CONTACT ADHESIVE SUPPLIED BY C/S. UNLESS OTHERWISE NOTED

DOOR PROTECTION MODEL KP-SS

CS Construction Specialties™
6696 Route 405 Highway, Muncy PA 17756
(800) 233-8493 • Fax (570) 546-4692 • www.c-sgroup.com

PROJECT:		REV. :
LOCATION:		F&F:
CUSTOMER:		SHEET OF
AGENT:		JOB NO.
DWG. BY:	DATE:	