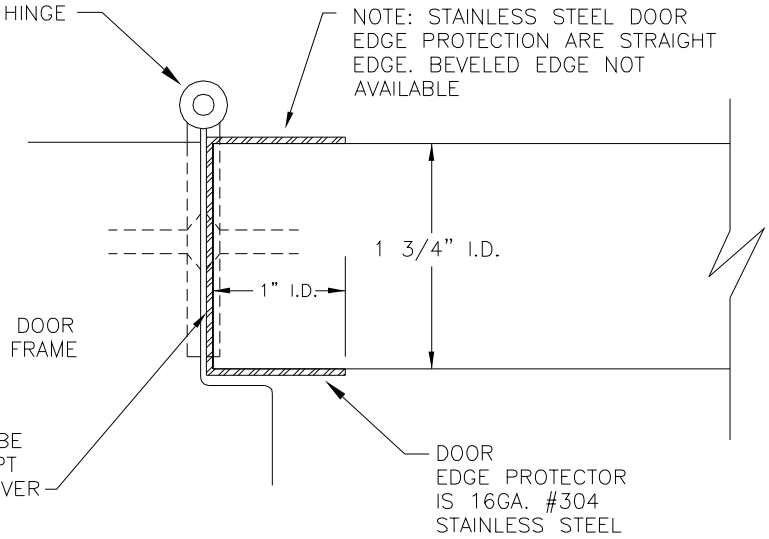
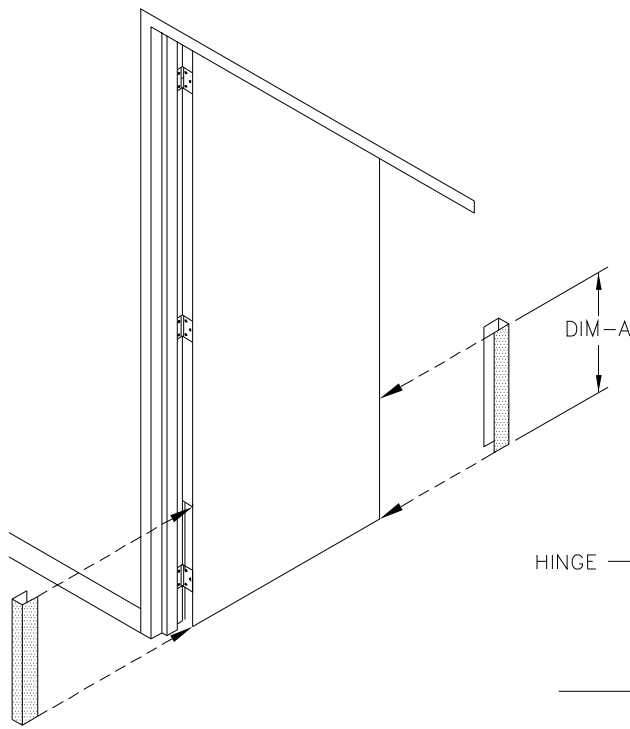


STAINLESS STEEL EDGE PROTECTORS TO BE
16GA TYPE #304 ALLOY WITH #4 SATIN FINISH

UNITS REQ'D	DIM A

STAINLESS STEEL DOOR
EDGE PROTECTION



EDGE OF DOOR TO BE
UNDERCUT TO ACCEPT
STAINLESS STEEL COVER

DETAIL AT HINGE
DOOR IN CLOSED POSITION



6696 Route 405 Highway, Muncy PA 17756
(800) 233-8493 • Fax (570) 546-4692 • www.c-sgroup.com

PROJECT:		REV. :
LOCATION:		F&F:
CUSTOMER:		SHEET OF
AGENT:		JOB NO.
DWG. BY:	DATE:	