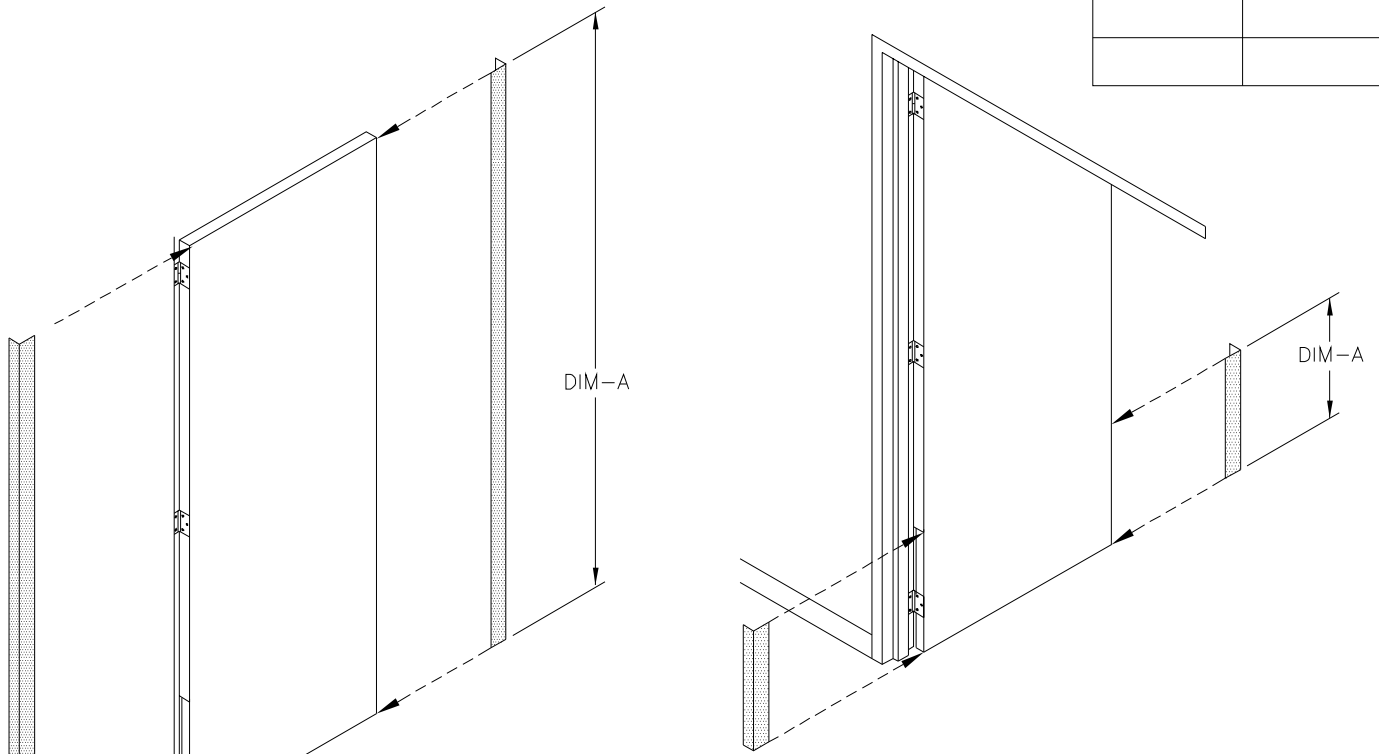


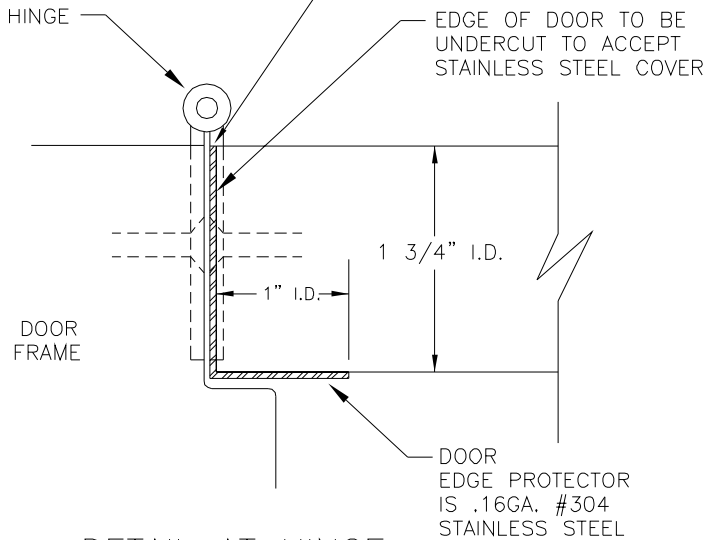
STAINLESS STEEL EDGE PROTECTORS TO BE
16GA TYPE #304 ALLOY WITH #4 SATIN FINISH

STAINLESS STEEL
90° "L" SHAPED DOOR
EDGE PROTECTION

UNITS REQ'D	DIM A



NOTE: STAINLESS STEEL DOOR
EDGE PROTECTION ARE STRAIGHT
EDGE. BEVELED EDGE NOT
AVAILABLE



DETAIL AT HINGE
DOOR IN CLOSED POSITION



Construction Specialties™
6696 Route 405 Highway, Muncy PA 17756
(800) 233-8493 • Fax (570) 546-4692 • www.c-sgroup.com

PROJECT:

REV. :

LOCATION:

F&F:

CUSTOMER:

SHEET OF

AGENT:

JOB NO.

DWG. BY:

DATE: