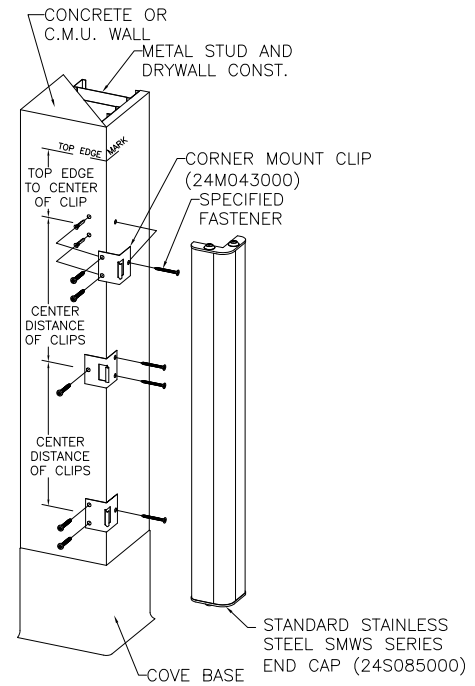
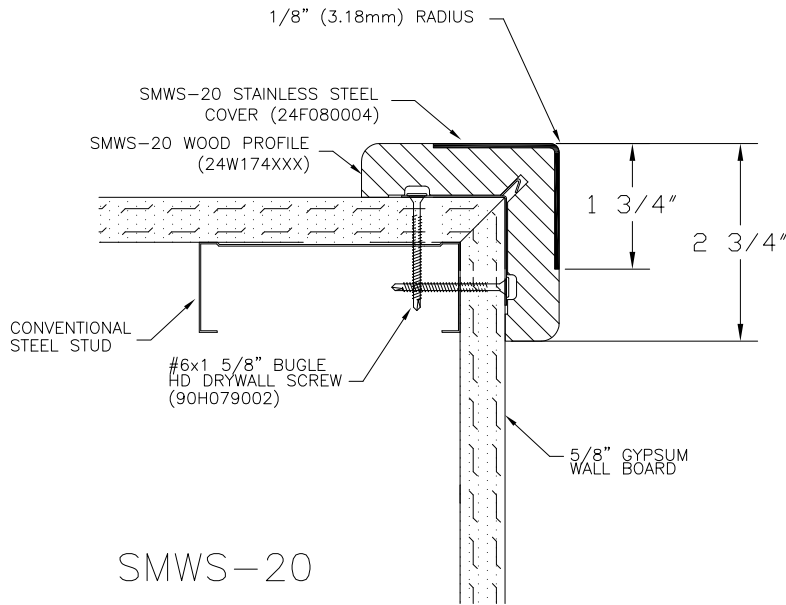


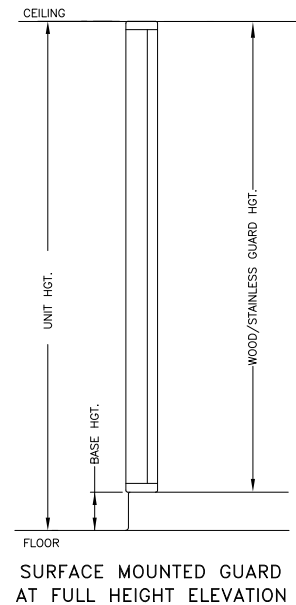
WOOD SPECIES: _____
 WOOD FINISH: _____
 PLEASE ADVISE WOOD SPECIES AND WOOD FINISH. REFER TO C/S CATALOG FOR OPTIONS.

METAL FINISH: _____
 PLEASE REFER TO C/S CATALOG FOR AVAILABLE METAL FINISH OPTIONS.


QTY. REQ'D	UNIT HGT.	BASE HGT.	FINISHED HGT.



IF OPTIONAL SMWS SERIES WOOD END CAP IS REQUIRED PLEASE ADVISE (24W259XXX)



WALL CONDITION	SPECIFIED FASTENER	DRILL DIAMETERS		PART NUMBER
		WALL	RETAINER	
STEEL STUD/GYPSUM WALL WOOD STUD/GYPSUM WALL	#6 X 1-5/8" BUGLE HD. SMS	N/A	7/64"	90H079002
CONCRETE/CONC. BLOCK	{ AF-6 PLASTIC ANCHOR #10 X 1-1/2" PHILLIPS PAN HD. SMS }	15/64"	9/32"	90H039004 90H189002

 <p>Construction Specialties™ 6696 Route 405 Highway, Muncy PA 17756 (800) 233-8493 • Fax (570) 546-4692 • www.c-sgroup.com</p>	PROJECT:		REV. :
	LOCATION:		F&F:
	CUSTOMER:		SHEET OF
	AGENT:		JOB NO.
	DWG. BY:	DATE:	