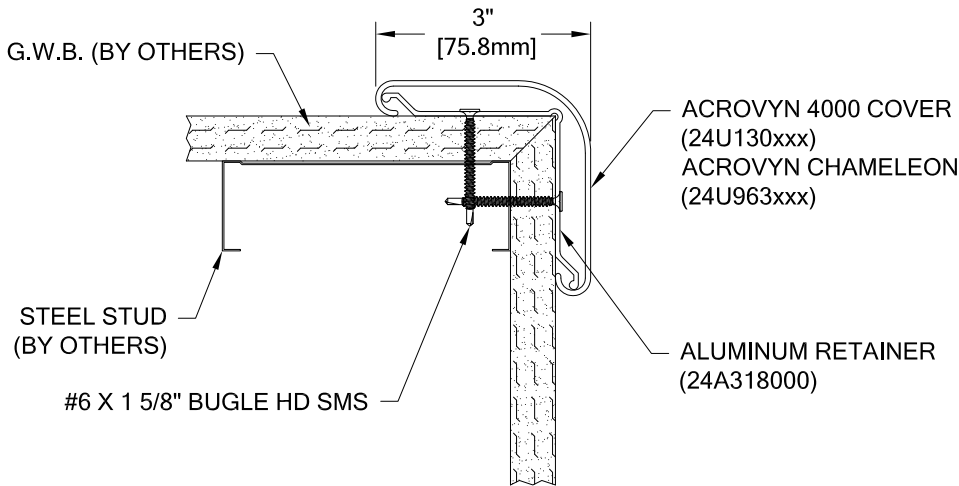
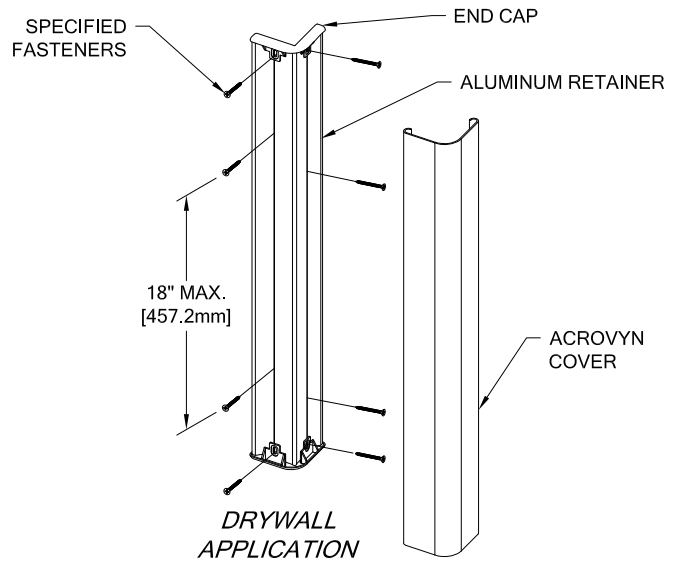


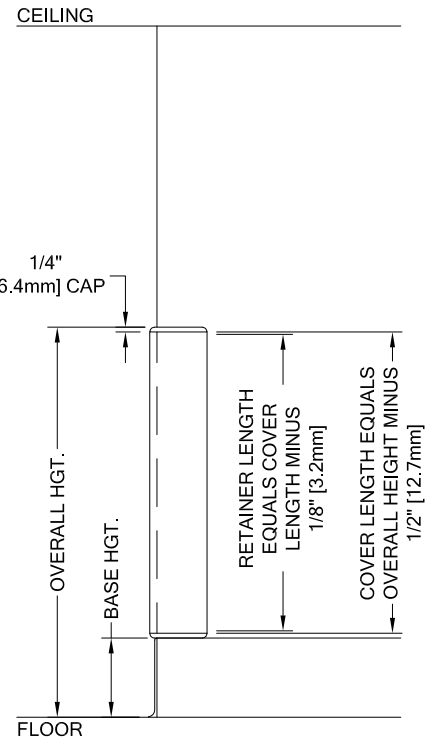
COLOR: _____
 (COLOR TO BE SELECTED FROM ONE OF C/S STANDARD COLORS.)

QTY. REQ'D	UNIT HEIGHT	RET. LENGTH	COVER LENGTH

1. INSTALL RETAINER 1/4" [6.4mm] ABOVE COVE BASE OR FINISH FLOOR USING THE REQUIRED FASTENERS AS NOTED.
2. INSTALL THE BOTTOM END CAP BY ABUTTING THE CAP WITH THE END OF THE RETAINER, ALLOWING THE FLANGES TO OVERLAP THE END OF THE RETAINER AS SHOWN. SECURE INTO POSITION USING THE SPECIFIED FASTENERS.
3. REPEAT THE PROCEDURE TO INSTALL THE TOP END CAP.
4. FINISH THE INSTALLATION BY SNAPPING THE ACROVYN COVER ONTO THE RETAINER.




SM-10N PARTIAL HEIGHT



**SURFACE MOUNTED GUARD
AT PARTIAL HEIGHT ELEVATION**

WALL CONDITION	SPECIFIED FASTENER	DRILL DIAMETERS		C/S PART NUMBER
		WALL	RETAINER	
STEEL STUD/GYPSUM WALL WOOD STUD/GYPSUM WALL	#6 X 1 5/8" BUGLE HEAD SHEET METAL SCREW	N/A	1/8"	90H079002
CONCRETE/CONC. BLOCK	#10 X 1 1/2" PHILLIPS PAN HEAD SMS AF-6 PLASTIC ANCHOR	1/4"	9/32"	90H039004 90H189002
CONCRETE/CONC. BLOCK END CAP ATTACHMENT	1/8" BLIND RIVET #8 SAE FLAT WASHER STEEL PLATED	N/A	5/32"	90H111002 90H10003

 <p>Construction Specialties™ 6696 Route 405 Highway, Muncy PA 17756 (800) 233-8493 • Fax (570) 546-4692 • www.c-sgroup.com</p>	PROJECT:	REVISION:
	JOB NO.:	F&F:
	CUSTOMER:	
	REP:	DATE:
	DRAWN BY:	SHEET NO: