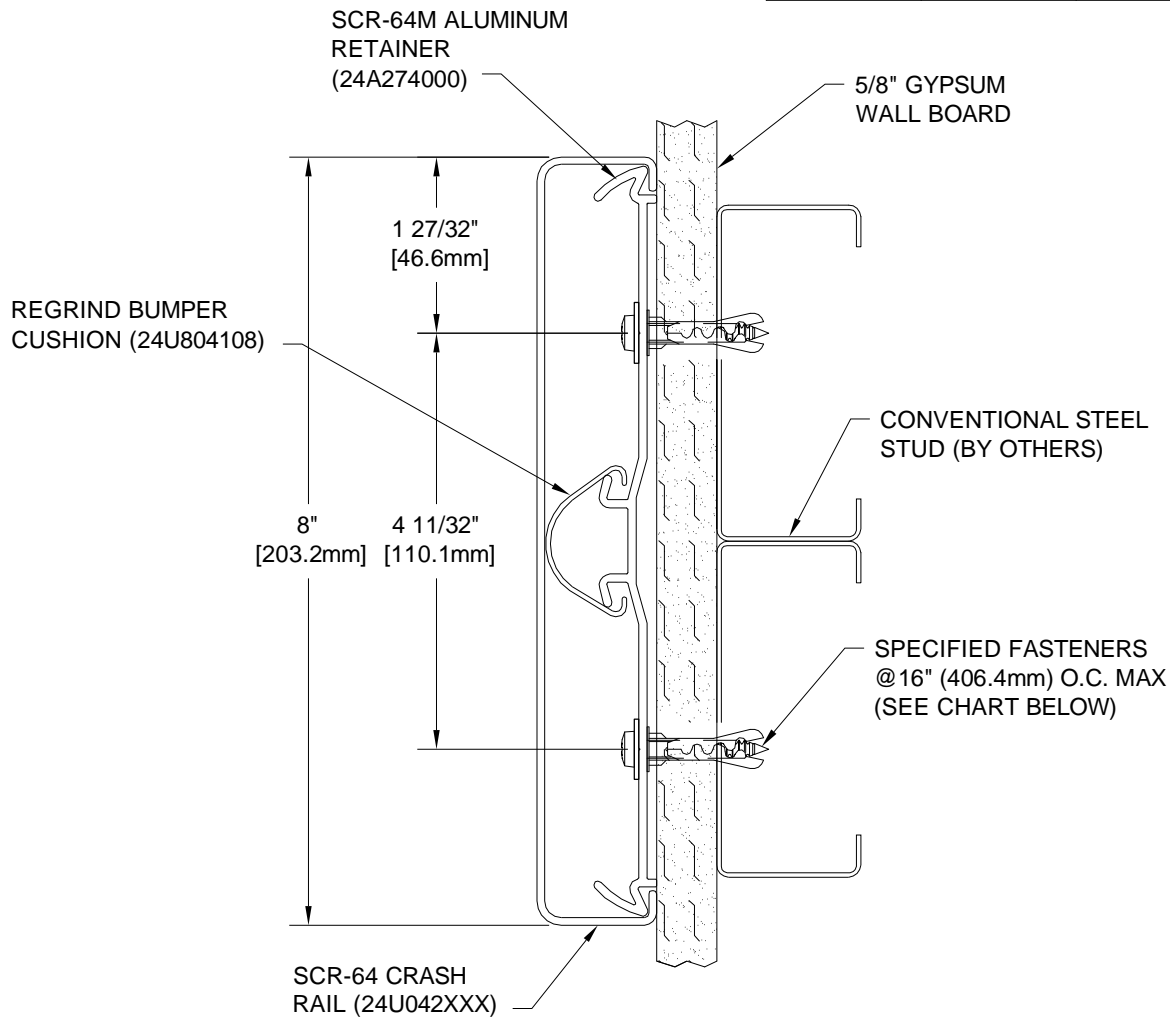


COLOR: _____
 COLOR TO BE SELECTED FROM ONE OF C/S STANDARD COLORS. CUSTOM COLORS ARE AVAILABLE, BUT SUBJECT TO QUANTITY MINIMUMS.

LINEAL FT REQ'D	END CAPS	O.S. REQ'D	ODD° O.S.



SCR-64MN

WALL CONDITION	SPECIFIED FASTENER	DRILL DIAMETERS		C/S PART NUMBER
		WALL	RETAINER	
CONCRETE/CONC. BLOCK	#10 X 1-1/2" PHILLIPS PAN HEAD SMS 1/4" FLAT WASHER STEEL PLATED SAE AF-6 PLASTIC ANCHORS	1/4"	9/32"	90H189002 90H007003 90H039004
STEEL STUD/GYPSUM WALL	#10 X 1-1/2" PHILLIPS PAN HEAD SMS 1/4" FLAT WASHER STEEL PLATED SAE AF-6 PLASTIC ANCHORS	1/4"	9/32"	90H189002 90H007003 90H039004
WOOD STUD/GYPSUM WALL	#9 X 2-1/4" WAFER HD PH DRYWALL SCREW	N/A	N/A	90H421002



Construction Specialties™

6696 Route 405 Highway, Muncy PA 17756
 (800) 233-8493 • Fax (570) 546-4692 • www.c-sgroup.com

PROJECT:		REV. :
LOCATION:		F&F :
CUSTOMER:		SHEET OF
AGENT:		JOB NO.
DWG. BY:	DATE:	