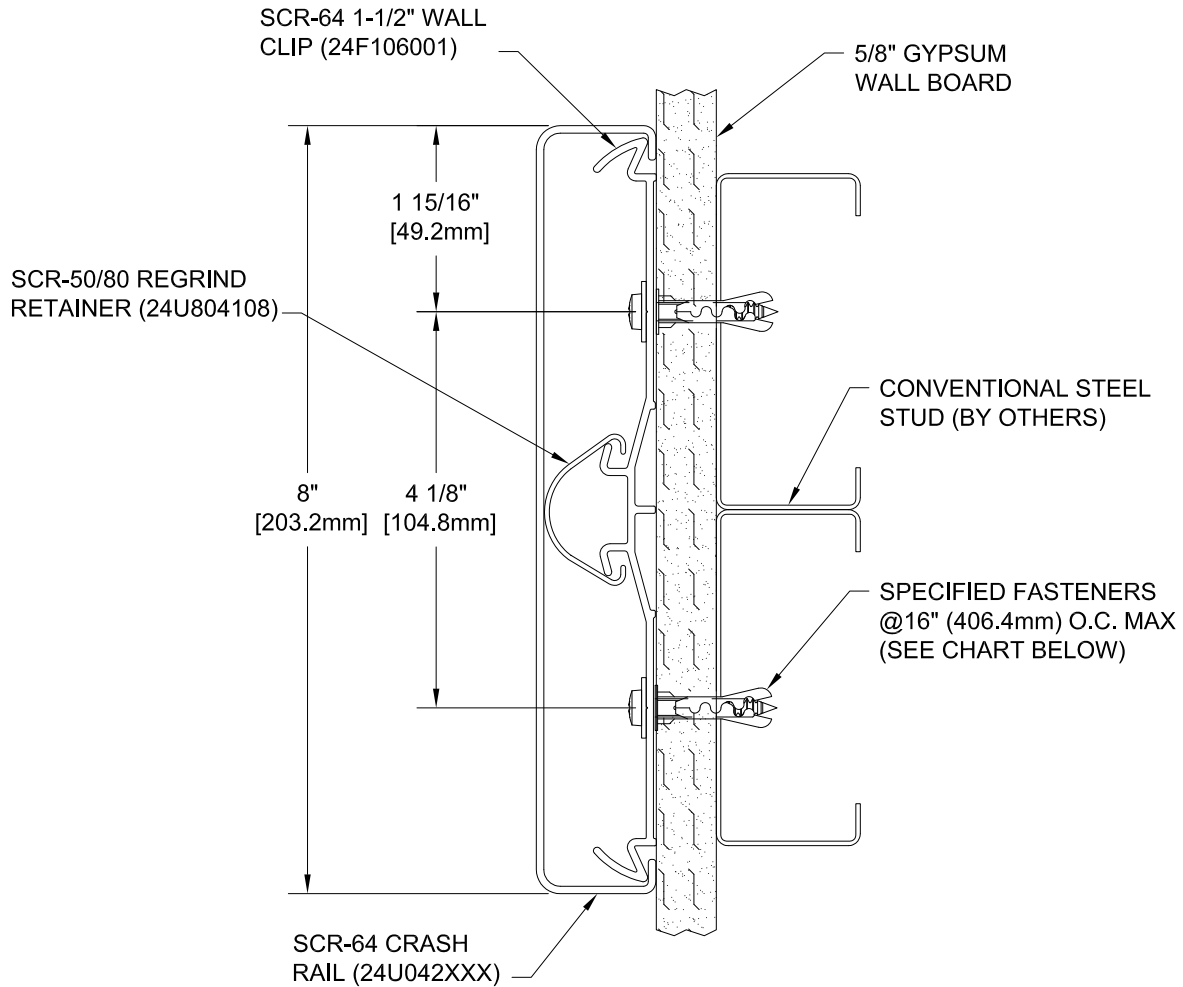


**COLOR:** \_\_\_\_\_  
 COLOR TO BE SELECTED FROM ONE OF C/S STANDARD COLORS. CUSTOM COLORS ARE AVAILABLE, BUT SUBJECT TO QUANTITY MINIMUMS.

LINEAL FT REQ'D	END CAPS	O.S. REQ'D	ODD° O.S.



# SCR-64

WALL CONDITION	SPECIFIED FASTENER	DRILL DIAMETERS		C/S PART NUMBER
		WALL	RETAINER	
CONCRETE/CONC. BLOCK	#10 X 1-1/2" PHILLIPS PAN HEAD SMS 1/4" FLAT WASHER STEEL PLATED SAE AF-6 PLASTIC ANCHORS	1/4"	9/32"	90H189002 90H007003 90H039004
STEEL STUD/GYPSUM WALL	#10 X 1-1/2" PHILLIPS PAN HEAD SMS 1/4" FLAT WASHER STEEL PLATED SAE AF-6 PLASTIC ANCHORS	1/4"	9/32"	90H189002 90H007003 90H039004
WOOD STUD/GYPSUM WALL	#9 X 2-1/4" WAFER HD PH DRYWALL SCREW	N/A	N/A	90H421002

 <b>MUNCY, PA 17756</b> <b>MISSISSAUGA, ONTARIO, CANADA</b>	<b>PROJECT:</b>		<b>REV. :</b>
	<b>LOCATION:</b>		<b>F&amp;F :</b>
	<b>CUSTOMER:</b>		<b>SHEET OF</b>
	<b>AGENT:</b>		<b>JOB NO.</b>
	<b>DWG. BY:</b>	<b>DATE:</b>	