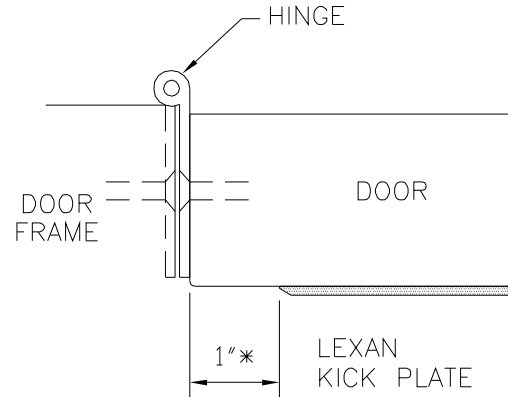
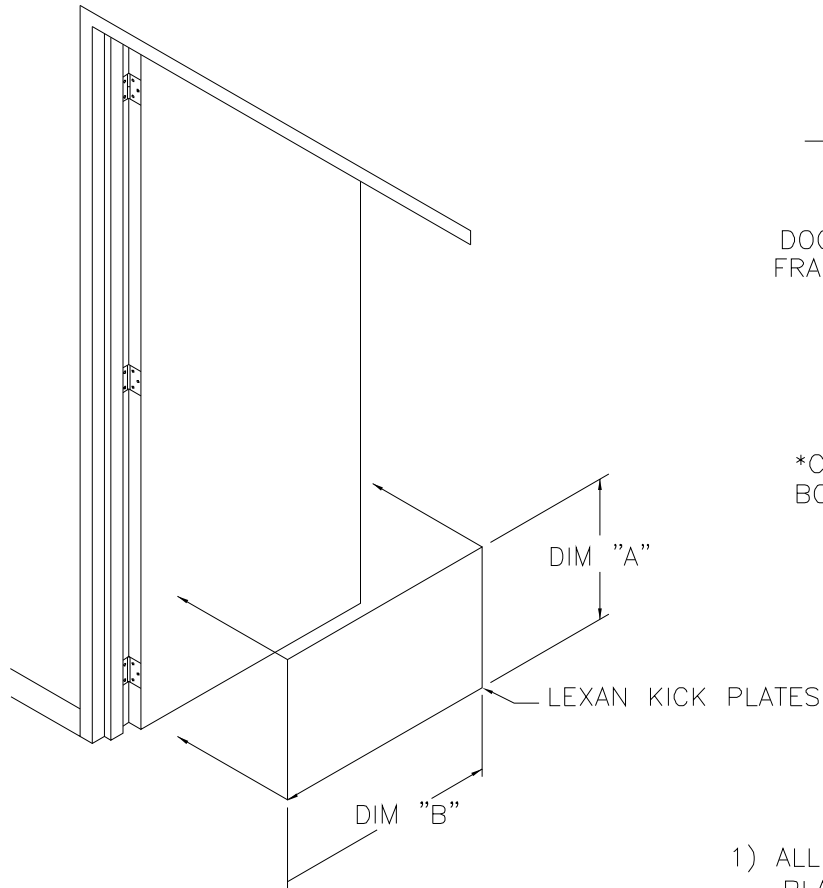


UNITS REQ'D	DIM. A	DIM. B



*CLEARANCE (TYPICAL
BOTH SIDES OF DOOR)

DETAIL AT HINGE
DOOR IN CLOSED POSITION

CONTRACTOR NOTE:

- 1) ALL DIMENSIONS SHOWN ARE ACTUAL PUSH-PLATE, KICKPLATE DIMENSIONS.
- 2) LEXAN KICKPLATES ARE SUPPLIED COMPLETE WITH BEVELED EDGES.
- 3) PUSHPLATES AND KICKPLATES TO BE INSTALLED USING FIELD APPLIED CONTACT ADHESIVE SUPPLIED BY C/S. UNLESS OTHERWISE NOTED

DOOR PROTECTION MODEL LG-DP



Construction Specialties™

6696 Route 405 Highway, Muncy PA 17756
(800) 233-8493 • Fax (570) 546-4692 • www.c-sgroup.com

PROJECT:		REV. :
LOCATION:		F&F:
CUSTOMER:		SHEET OF
AGENT:		JOB NO.
DWG. BY:	DATE:	