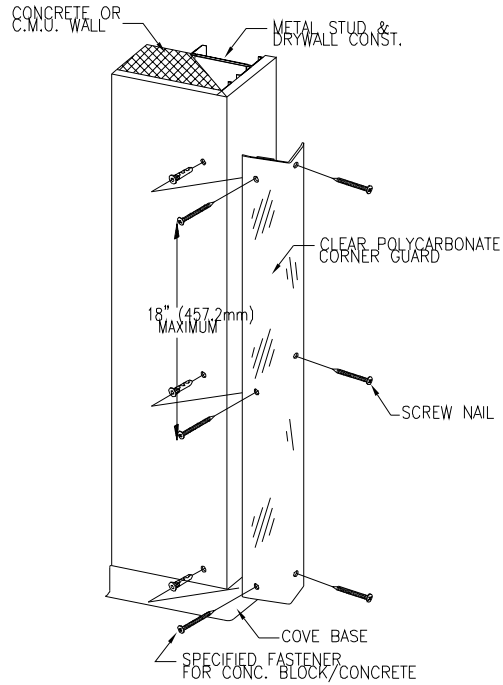
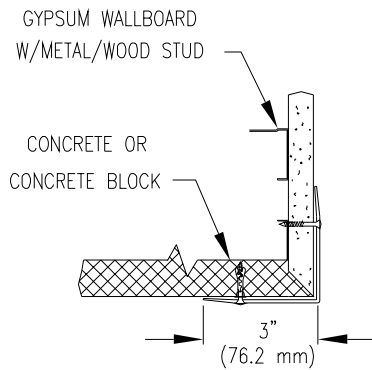


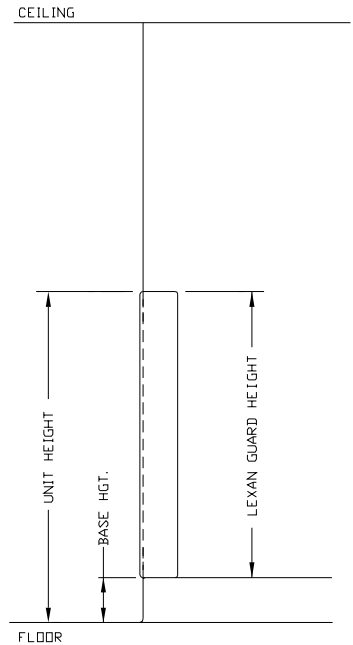
1. ESTABLISH CORNER GUARD HEIGHT REQUIREMENT. ALL CLEAR POLYCARBONATE CORNER GUARDS ARE PROVIDED IN THE LENGTHS AS LISTED BELOW.
2. PREPARE OUTSIDE CORNER FOR GUARD INSTALLATION BY REMOVING ANY OIL OR DUST CONTAMINATION USING "ACROVYN INTERIORS" CLEANER.
3. INSTALL THE CORNER GUARD BY ALIGNING THE BOTTOM OF THE CORNER GUARD WITH THE TOP OF THE COVE BASE OR FINISH FLOOR AND MOVING THE GUARD INTO POSITION ALONG THE APEX OF THE WALL SURFACE AND CORNER GUARD.
4. COMPLETE INSTALLATION BY SECURING THE CORNER GUARD INTO POSITION USING THE APPROPRIATE FASTENERS.



QTY. REQ'D	HGT. REQ'D



LG-300



LG-300 GUARD  
AT PARTIAL HEIGHT ELEVATION



**Construction Specialties™**  
6696 Route 405 Highway, Muncy PA 17756  
(800) 233-8493 • Fax (570) 546-4692 • www.c-sgroup.com

PROJECT:		REV. :
LOCATION:		F&F:
CUSTOMER:		SHEET OF
AGENT:		JOB NO.
DWG. BY:	DATE:	