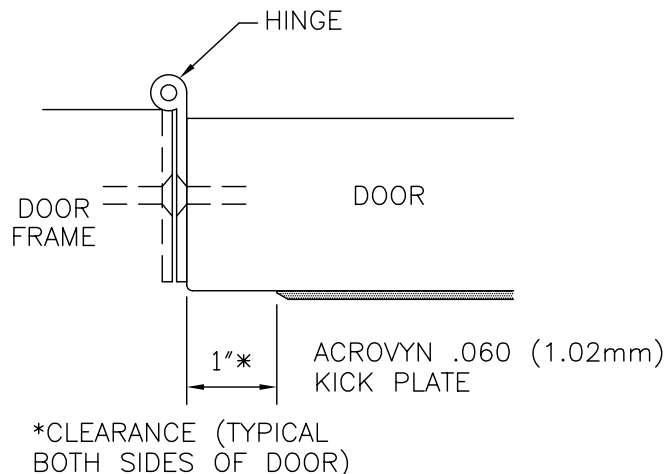
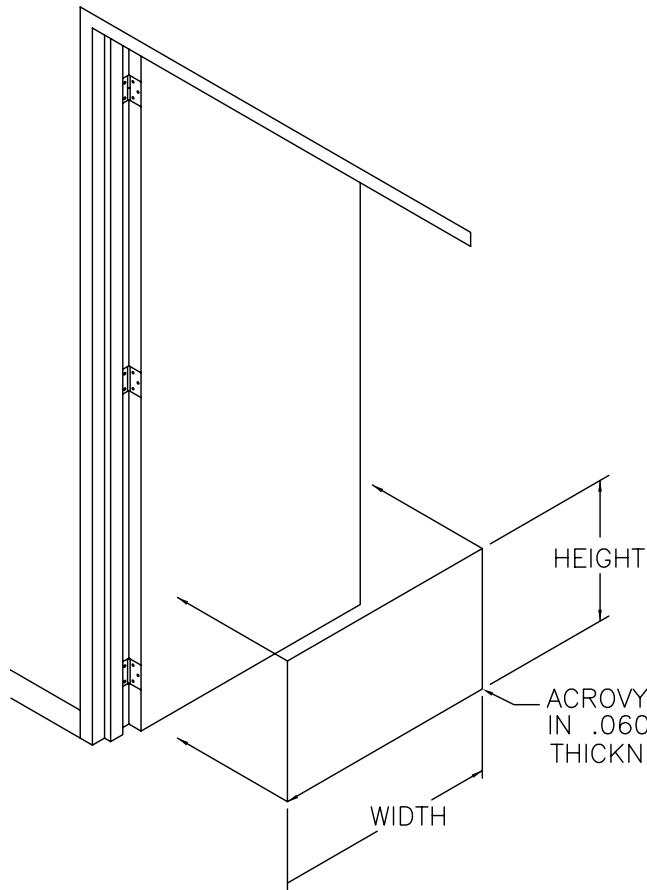


COLOR: _____
 COLOR TO BE SELECTED FROM ONE OF C/S
 60 STANDARD COLORS

| UNITS REQ'D | HEIGHT | WIDTH |
|----------------|--------|-------|
| | | |
| | | |
| | | |
| | | |



DETAIL AT HINGE
 DOOR IN CLOSED POSITION

KICKPLATES TO BE INSTALLED USING FIELD APPLIED CONTACT ADHESIVE SUPPLIED BY C/S UNLESS OTHERWISE NOTED. IF KICKPLATES ARE TO BE MECHANICALLY FASTENED, DRILLING IS TO BE DONE IN FIELD.

- CONTRACTOR NOTE:
- 1) ALL DIMENSIONS SHOWN ARE ACTUAL KICKPLATE DIMENSIONS.
 - 2) ACROVYN KICKPLATES ARE SUPPLIED IN .060 THICKNESS, COMPLETE WITH BEVELED EDGES.
 - 3) KICKPLATES TO BE INSTALLED USING FIELD APPLIED CONTACT ADHESIVE SUPPLIED BY C/S UNLESS OTHERWISE NOTED. IF KICKPLATES ARE TO BE MECHANICALLY FASTENED, DRILLING IS TO BE DONE IN FIELD.

.060" KICKPLATES

C/S GROUP

MUNCY, PA 17756
 VISTA, CA 92083
 MISSISSAUGA, ONTARIO, CANADA

| | | |
|-----------|-------|----------|
| PROJECT: | | REV. : |
| LOCATION: | | F&F: |
| CUSTOMER: | | SHEET OF |
| AGENT: | | JOB NO. |
| DWG. BY: | DATE: | |