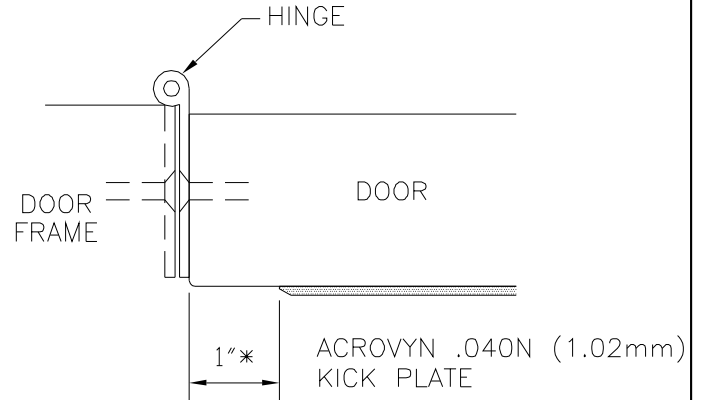
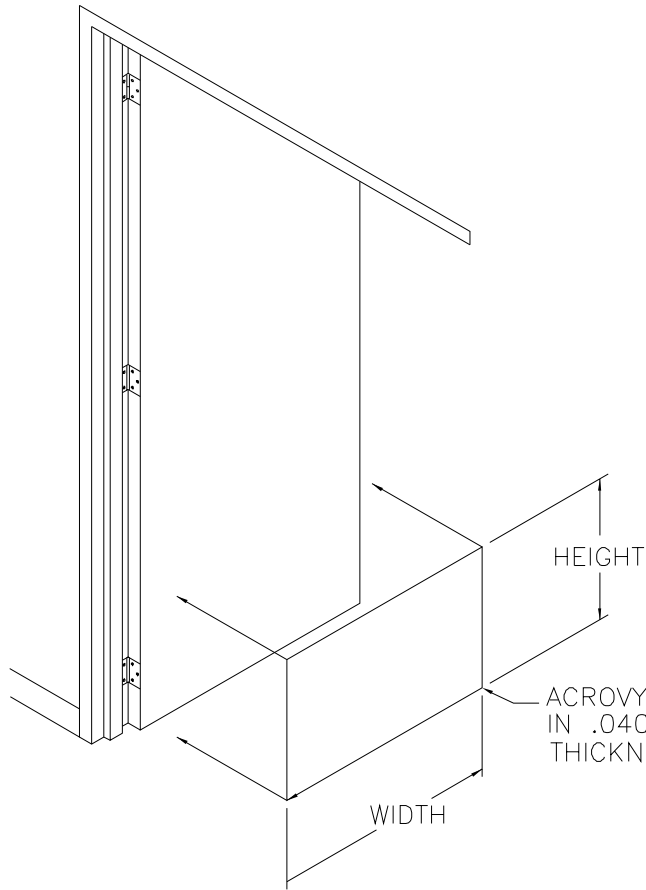


COLOR: _____
 COLOR TO BE SELECTED FROM ONE OF C/S
 STANDARD COLORS

UNITS REQ'D	HEIGHT	WIDTH



*CLEARANCE (TYPICAL
 BOTH SIDES OF DOOR)

DETAIL AT HINGE
 DOOR IN CLOSED POSITION

KICKPLATES TO BE INSTALLED USING
 FIELD APPLIED CONTACT ADHESIVE
 SUPPLIED BY C/S UNLESS
 OTHERWISE NOTED. IF KICKPLATES
 ARE TO BE MECHANICALLY FASTENED,
 DRILLING IS TO BE DONE IN FIELD.

- CONTRACTOR NOTE:
- 1) ALL DIMENSIONS SHOWN ARE ACTUAL KICKPLATE DIMENSIONS.
 - 2) ACROVYN 4000 KICKPLATES ARE SUPPLIED IN .040 THICKNESS, COMPLETE WITH BEVELED EDGES.
 - 3) KICKPLATES TO BE INSTALLED USING FIELD APPLIED CONTACT ADHESIVE SUPPLIED BY C/S UNLESS OTHERWISE NOTED. IF KICKPLATES ARE TO BE MECHANICALLY FASTENED, DRILLING IS TO BE DONE IN FIELD.

.040N KICKPLATES



Construction Specialties™
 6696 Route 405 Highway, Muncy PA 17756
 (800) 233-8493 • Fax (570) 546-4692 • www.c-sgroup.com

PROJECT:		REV. :
LOCATION:		F&F:
CUSTOMER:		SHEET OF
AGENT:		JOB NO.
DWG. BY:	DATE:	