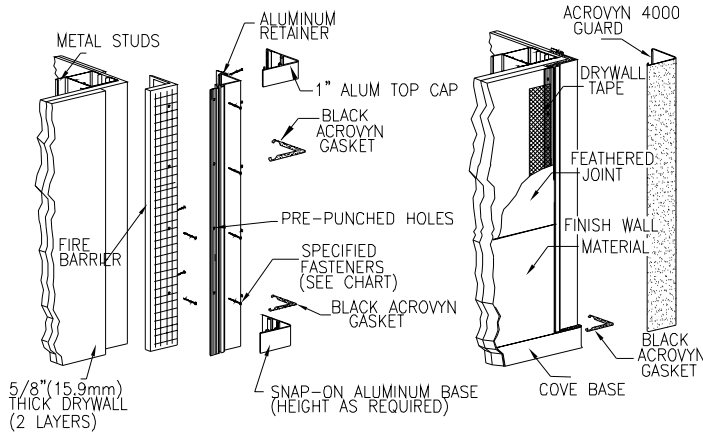


COLOR: \_\_\_\_\_

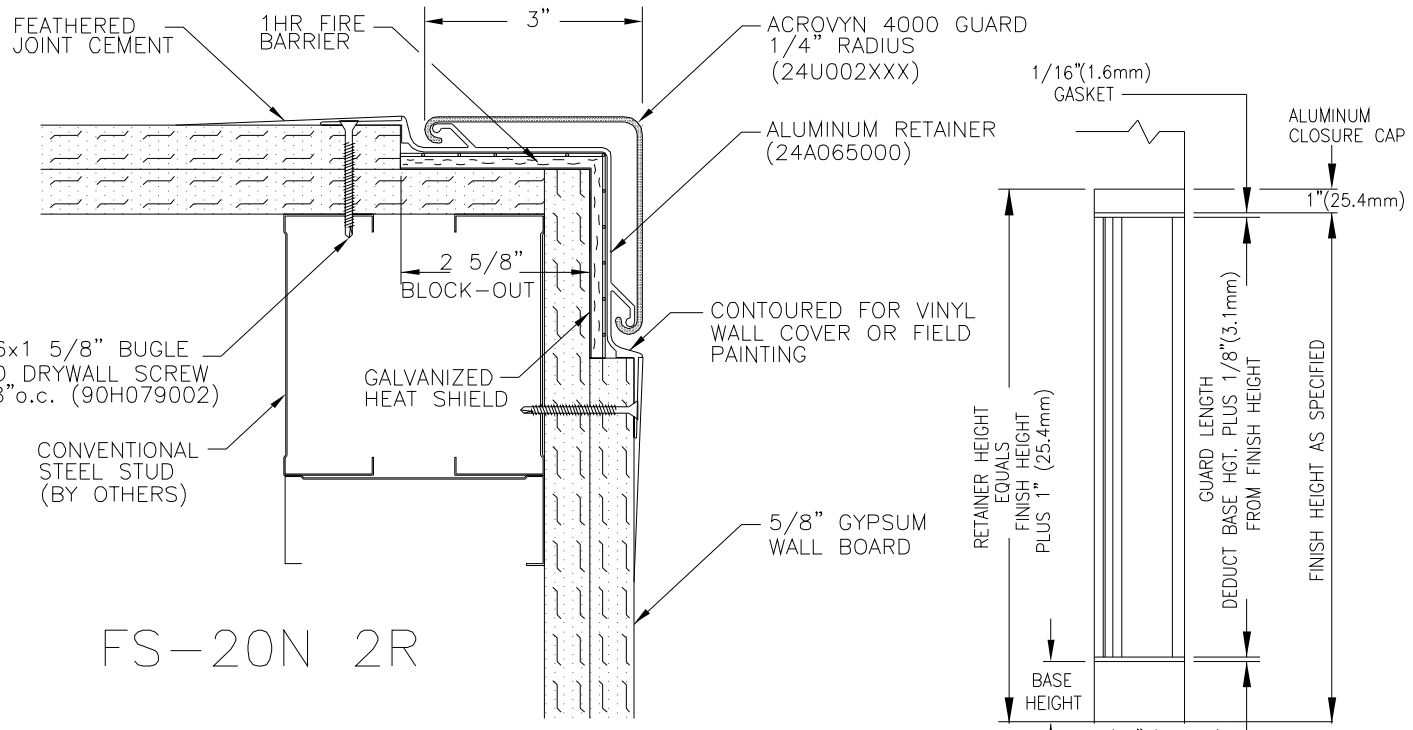
COLOR TO BE SELECTED FROM ONE OF C/S STANDARD COLORS

QTY. REQ'D	UNIT HGT.	RET. LENGTH	COVER LENGTH	BASE HGT.	COLOR

SEND 1" TOP CAP FOR EACH UNIT REQUIRED

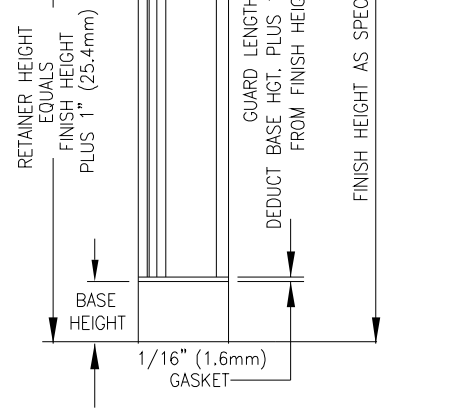


1. ALL FLUSH MOUNTED 'FIRE RATED' CORNER GUARDS ARE SHIPPED WITH ALUMINUM RETAINERS AND ACROVYN COVERS CUT TO LENGTH AND FACTORY DRILLED HOLES IN THE RETAINER. THE FIRE BARRIER IS SHIPPED 1/2"(12.7mm) LONGER THAN THE RETAINER.
2. THE SPECIFIED BLOCK-OUT (SEE BELOW) DIMENSIONS FOR EACH CORNER GUARD ASSEMBLY MUST BE MAINTAINED, TO ENSURE THE FIRE-RATED INTEGRITY OF THE SPECIFIED WALL CONSTRUCTION !!! PRIOR TO INSTALLATION, THE BLOCK-OUT DIMENSION AT EACH CORNER GUARD LOCATION SHOULD BE CHECKED AND CORRECTED, IF NECESSARY. THE OPENING MUST ALSO BE CLEANED AND FREE OF DUST PRIOR TO THE INSTALLATION OF THE FIRE RATED CORNER GUARD.
3. SECURE THE FACTORY FABRICATED FIRE BARRIER MATERIAL IN THE OPENING BY INSTALLING THE REQUIRED FASTENERS THROUGH THE FIRE BARRIER, & INTO THE STEEL STUD
4. ALIGN EACH RETAINER WITH THE CORNER AND SECURE EACH LEG THROUGH WALL INTO METAL STUDS USING THE SPECIFIED FASTENERS. MAKE SURE THE RETAINER REMAINS PLUMB WITH THE FINISH FLOOR.
5. INSERT ALUMINUM BASE CLOSURE AT THE BASE OF THE RETAINER AND SECURE THE PLASTIC GASKET ON TOP BY REMOVING THE PROTECTIVE COVERING TO EXPOSE THE TRANSFER ADHESIVE. ALIGN GASKET WITH OUTSIDE EDGE.
6. A 1"(25.4mm) CLOSURE CAP IS TO BE INSTALLED AT TOP OF RETAINER ON PARTIAL HEIGHT GUARDS, FOLLOWING PROCEDURES SIMILAR TO STEP 5.
7. APPLY 2"(50.8mm) JOINT TAPE ALONG THE EDGE OF THE DRYWALL AND THE ALUMINUM RETAINER. FINISH THE INSTALLATION BY APPLYING A UNIFORM FEATHERED JOINT AT THIS LOCATION AS PER STANDARD CONSTRUCTION PRACTICES. ALLOW TO DRY AND THEN SAND AS REQUIRED. APPLY ADDITIONAL COATS, AS REQUIRED, TO PROVIDE A UNIFORM AND NEAT FINISH. (APPLY THIS PROCEDURE TO ANY 'CLOSURE CAPS, USED ON PARTIAL HEIGHT INSTALLATIONS.)
8. FINISH WALL SURFACE AS SPECIFIED. BE SURE THAT THE SELECTED FINISH IS APPLIED TO THE INSIDE SURFACE OF THE REAR "CONTOURED" PORTION OF THE ALUM. RETAINER.
9. FINISH INSTALLATION BY SNAPPING THE ACROVYN COVER ONTO THE RETAINER.




FS-20N 2R

WALL CONDITION	SPECIFIED FASTENER	DRILL DIAMETERS			PART NUMBER
		WALL	RETAINER	F. BARRIER	
STEEL STUD/GYPSUM WALL FIRE BARRIER	#6 X 1-5/8" BUGLE HD. SMS	N/A	N/A	N/A	90H079002



FLUSH MOUNTED GUARD AT PARTIAL HEIGHT ELEVATION

 <p><b>Construction Specialties™</b> 6696 Route 405 Highway, Muncy PA 17756 (800) 233-8493 • Fax (570) 546-4692 • www.c-sgroup.com</p>	PROJECT:		REV. :
	LOCATION:		F&F:
	CUSTOMER:		SHEET OF
	AGENT:		JOB NO.
	DWG. BY:	DATE:	