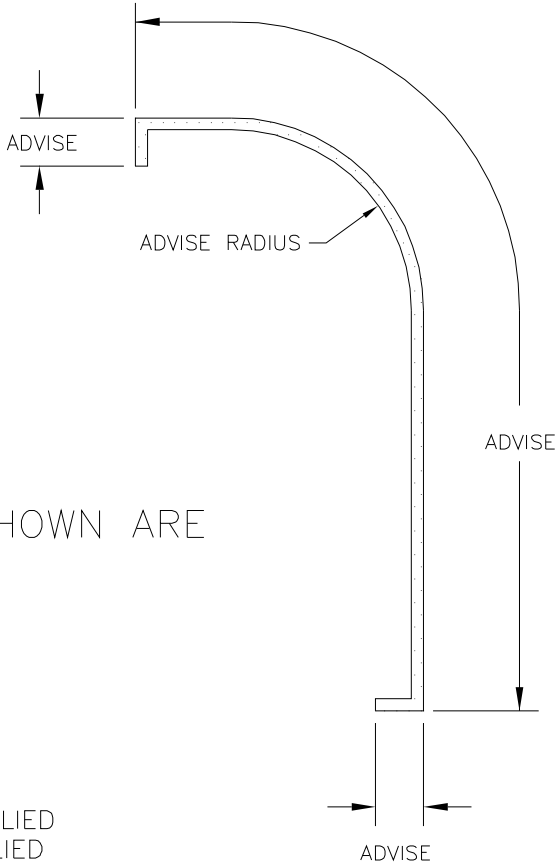
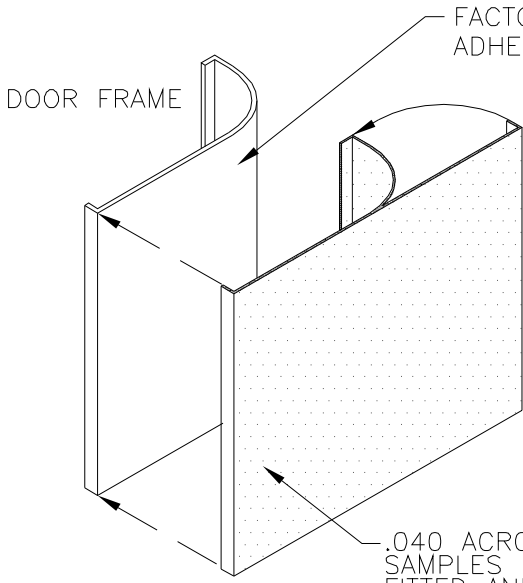


COLOR: \_\_\_\_\_  
 COLOR TO BE SELECTED FROM ONE OF C/S  
 STANDARD COLORS



ALL DIMENSIONS SHOWN ARE  
 FRAME DIMENSIONS



.040 ACROVYN 4000 CHANNEL  
 SAMPLES MUST BE FIELD  
 FITTED AND RETURNED  
 APPROVED BEFORE  
 MANUFACTURING CAN BEGIN

UNITS REQ'D	* HEIGHT	RADIUS

TYPE "C" DFP  
 ACROVYN 4000



**Construction Specialties™**  
 6696 Route 405 Highway, Muncy PA 17756  
 (800) 233-8493 • Fax (570) 546-4692 • www.c-sgroup.com

PROJECT:		REV. :
LOCATION:		F&F:
CUSTOMER:		SHEET OF
AGENT:		JOB NO.
DWG. BY:	DATE:	