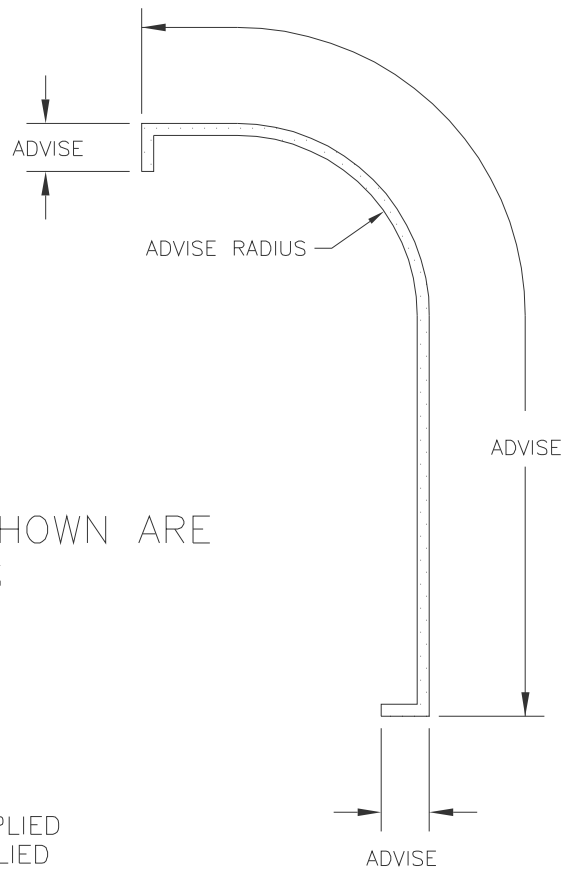
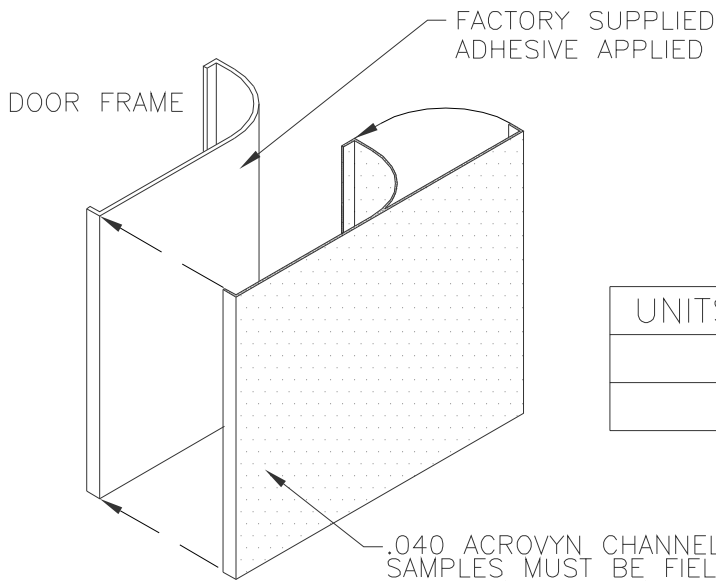


COLOR: _____

COLOR TO BE SELECTED FROM ONE OF C/S
60 STANDARD COLORS



ALL DIMENSIONS SHOWN ARE
FRAME DIMENSIONS



.040 ACROVYN CHANNEL
SAMPLES MUST BE FIELD
FITTED AND RETURNED
APPROVED BEFORE
MANUFACTURING CAN BEGIN

UNITS REQ'D	* HEIGHT	RADIUS

TYPE "C" DFP

C/S GROUP

MUNCY, PA 17756
VISTA, CA 92083
MISSISSAUGA, ONTARIO, CANADA

PROJECT:

REV. :

LOCATION:

F&F:

CUSTOMER:

SHEET OF

AGENT:

JOB NO.

DWG. BY:

DATE: