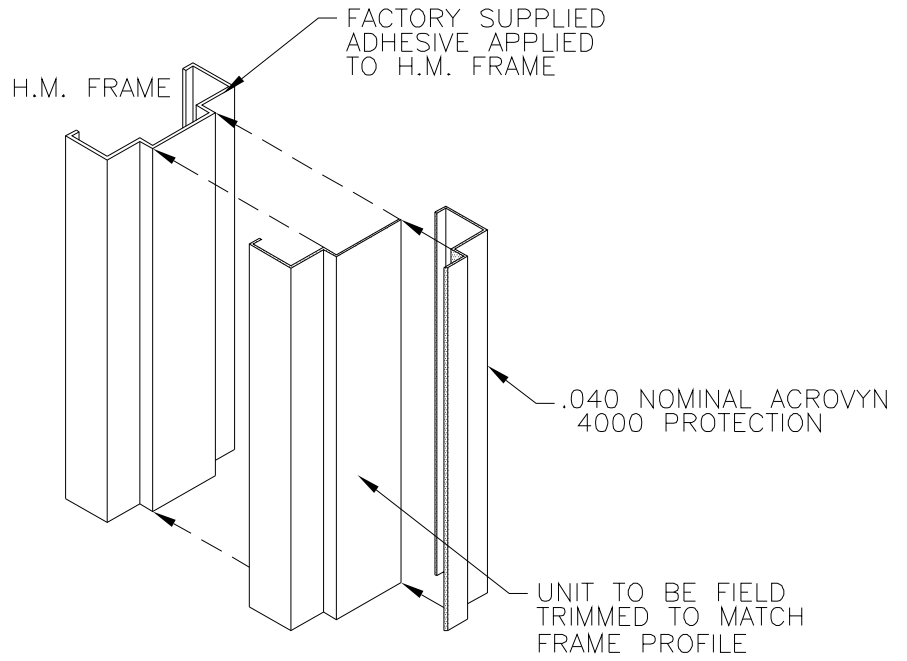
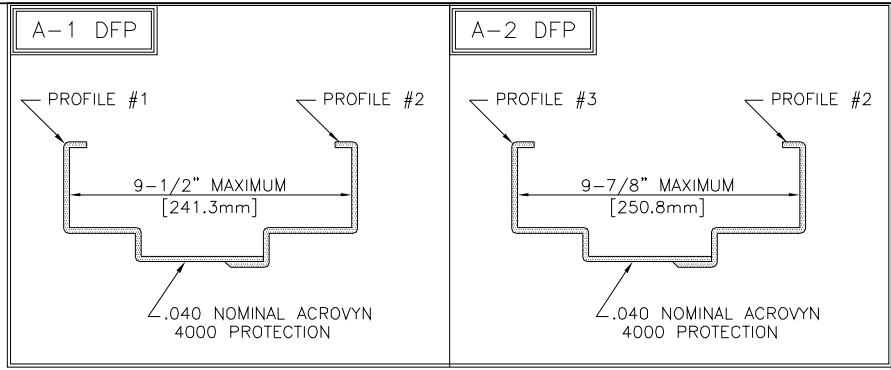
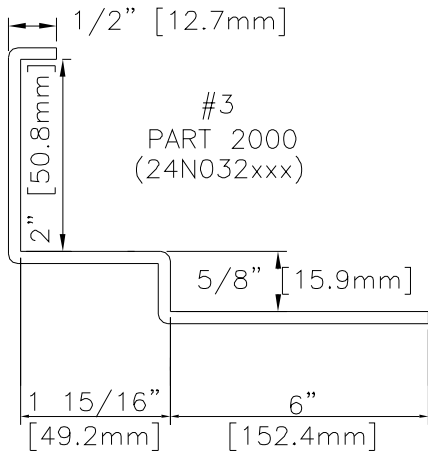
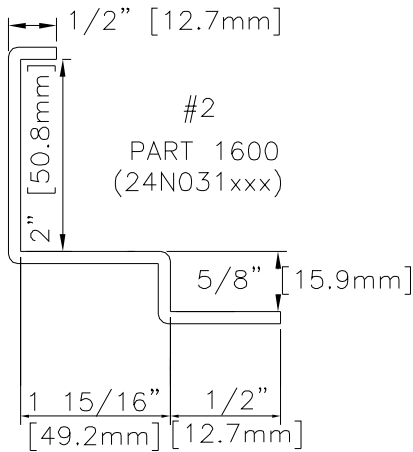
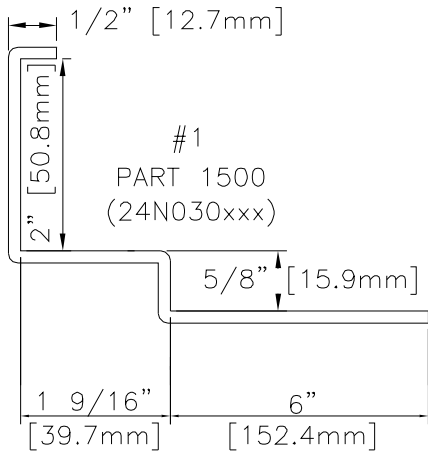


COLOR:

COLOR TO BE SELECTED FROM ONE OF C/S STANDARD COLORS

AVAILABLE PROFILES



UNITS REQ'D	PROFILE #	* HEIGHT

TYPE "A" DFP
IN ACROVYN 4000



PROJECT:		REV. :
LOCATION:		F&F:
CUSTOMER:		SHEET OF
AGENT:		JOB NO.
DWG. BY:	DATE:	