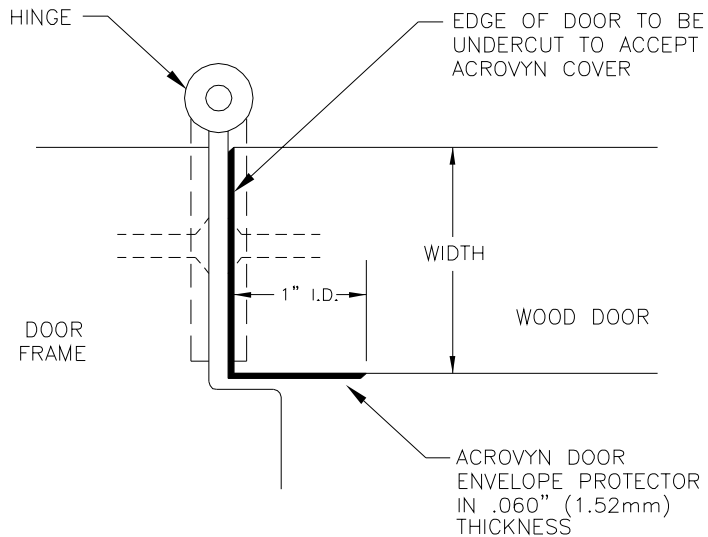
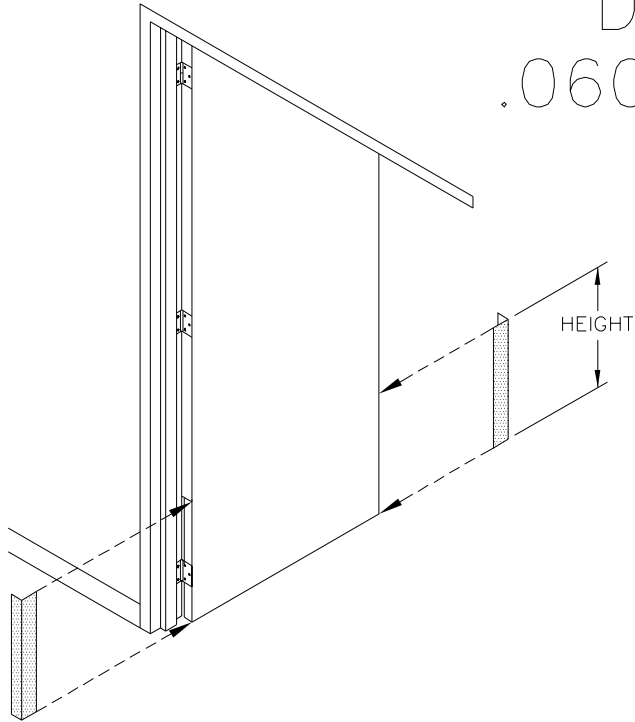



COLOR: _____
 COLOR TO BE SELECTED FROM ONE OF C/S
 STANDARD COLORS

UNITS REQ'D	HEIGHT	WIDTH

ACROVYN 4000
 DOOR PROTECTION
 .060 N THICK ACROVYN
 90° "L" SHAPED



SECTION DETAIL AT HINGE
 DOOR IN CLOSED POSITION

 <p>Construction Specialties™ 6696 Route 405 Highway, Muncy PA 17756 (800) 233-8493 • Fax (570) 546-4692 • www.c-sgroup.com</p>	PROJECT:		REV. :
	LOCATION:		F&F:
	CUSTOMER:		SHEET OF
	AGENT:		JOB NO.
	DWG. BY:	DATE:	