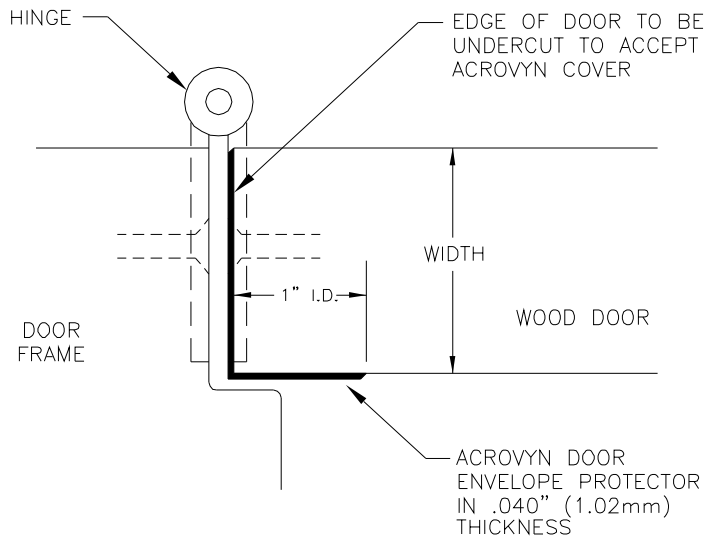
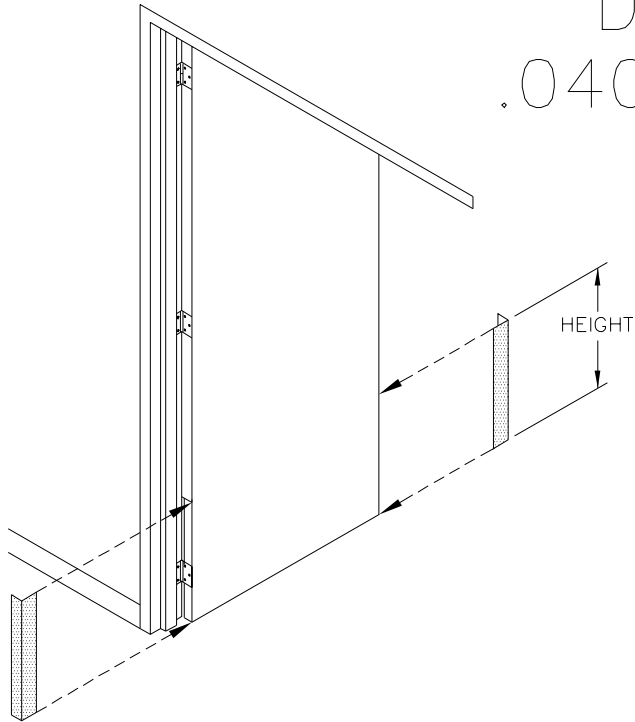



COLOR: \_\_\_\_\_  
 COLOR TO BE SELECTED FROM ONE OF C/S  
 STANDARD COLORS

UNITS REQ'D	HEIGHT	WIDTH

ACROVYN 4000  
 DOOR PROTECTION  
 .040 N THICK ACROVYN  
 90° "L" SHAPED



SECTION DETAIL AT HINGE  
 DOOR IN CLOSED POSITION

 <p><b>Construction Specialties™</b>          6696 Route 405 Highway, Muncy PA 17756          (800) 233-8493 • Fax (570) 546-4692 • www.c-sgroup.com</p>	PROJECT:		REV. :
	LOCATION:		F&F:
	CUSTOMER:		SHEET OF
	AGENT:		JOB NO.
	DWG. BY:	DATE:	