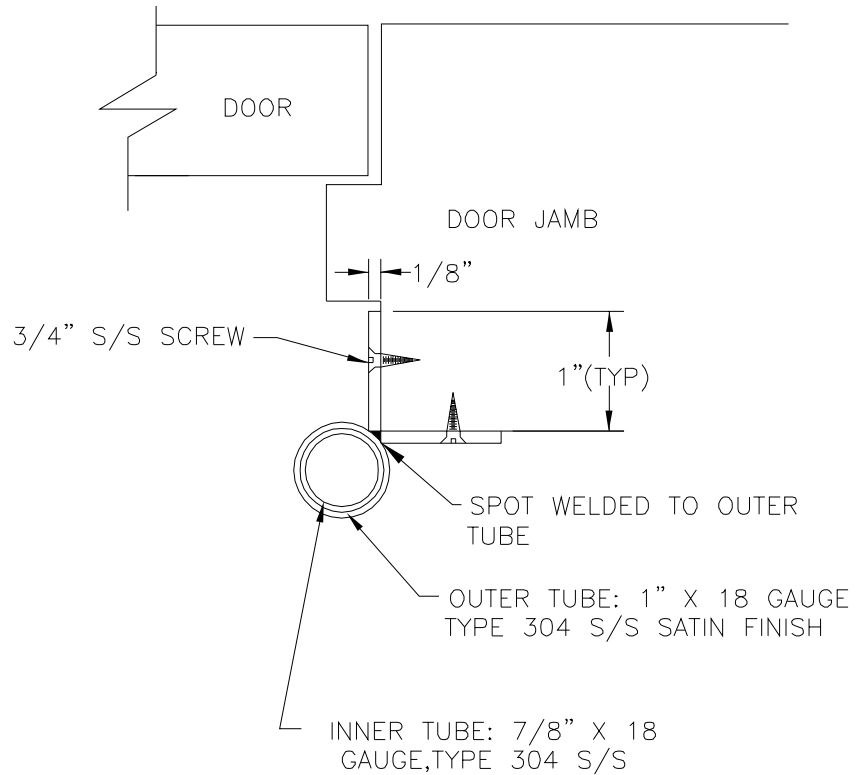
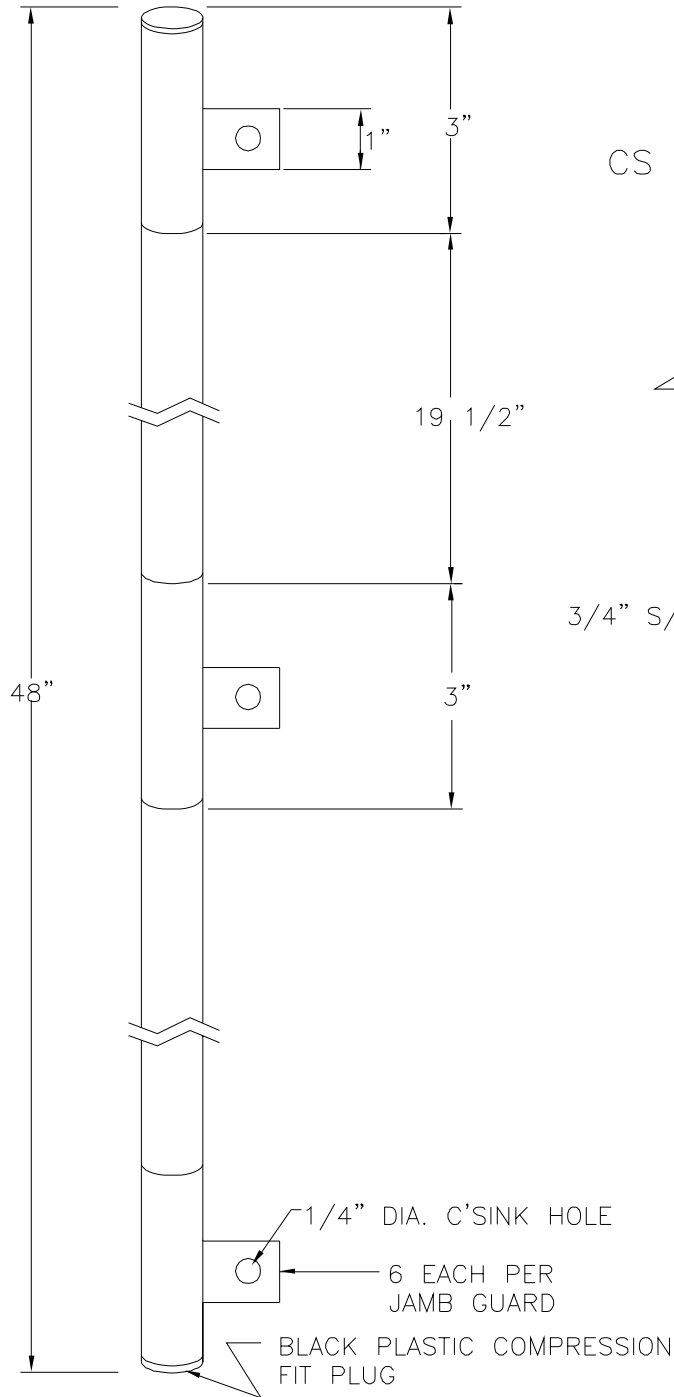


QUANTITY

CS PART #24S110000 = 4'-0" TALL UNIT



NOTE: OUTER TUBE TO SPIN FREELY ON INNER TUBE

MODEL: SSDFP
ELEVATION

PLAN



Construction Specialties™

6696 Route 405 Highway, Muncy PA 17756
(800) 233-8493 • Fax (570) 546-4692 • www.c-sgroup.com

PROJECT:

REV. :

LOCATION:

F&F:

CUST.:

SHEET:

AGENT:

JOB NO.

DWG. BY:

DATE: