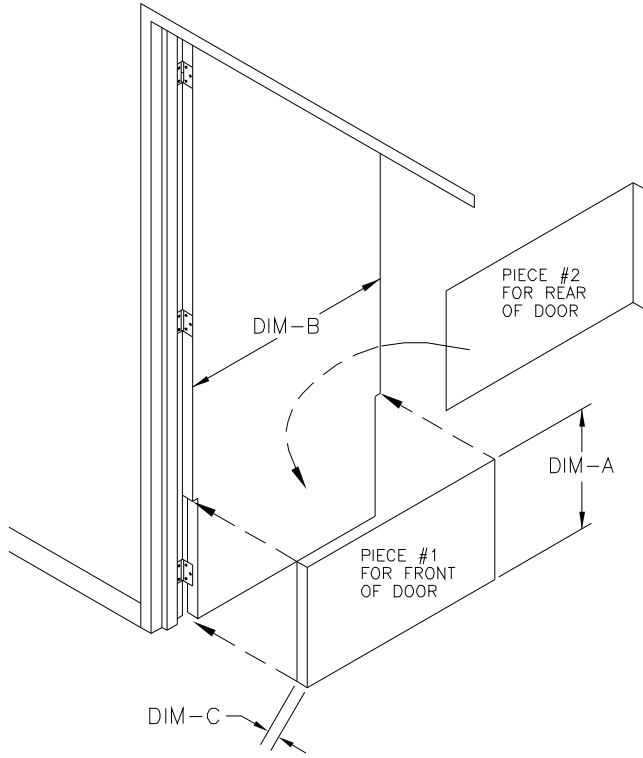


COLOR: _____
 (COLOR TO BE SELECTED FROM ONE OF C/S STANDARD COLORS.)

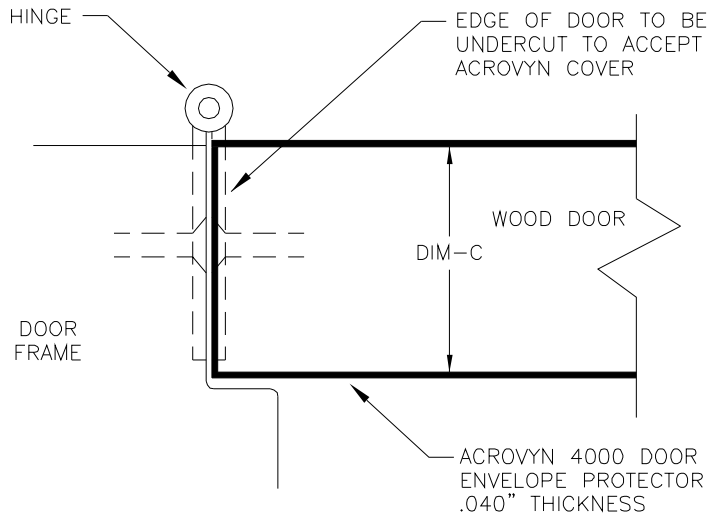
RELEASE	UNITS REQ'D	DIM. A	DIM. B*	DIM. C



3-DPN ISOMETRIC ACROVYN 4000

NOTES:

1. 3DPN DOOR PROTECTORS TO BE INSTALLED USING FIELD APPLIED CONTACT ADHESIVE SUPPLIED BY C/S.
2. ONE 3DPN UNIT EQUALS ONE "L" SHAPED PIECE, UNLESS OTHERWISE NOTED.



.040-3DPN SECTION AT HINGE DOOR IN CLOSED POSITION



PROJECT:		REV. :
LOCATION:		F&F:
CUSTOMER:		SHEET X
AGENT:		JOB NO.
DWG. BY:	DATE:	