



CS™ Louvers

*Adding a
new dimension
to louvers*

Bring color, drama and excitement to your facade...

Introducing C/S Bold Line Louvers



Finishes

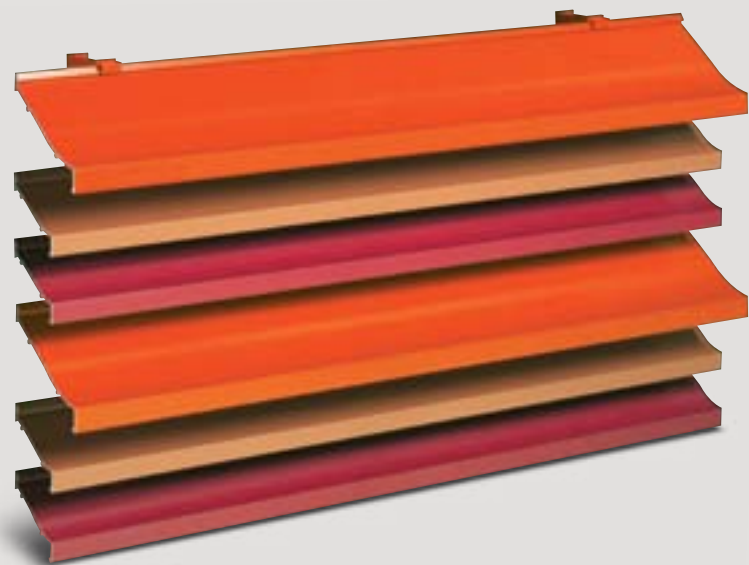
Bold Line is finished with C/S' environmentally friendly 20-year powder coat finish. We can supply any color, including metallics.

C/S 20-year AAMA 2605 powder coat finish lets designers use multiple colors without breaking the budget.

Who says a louver is just a louver? Not us! After decades of creating the industry's best made, best performing louvers, we focused on what a louver looks like. We now can provide architects new tools to use on their facades. Texture, color, enhanced shadow lines can transform the louvers from something you want to hide into a major design feature of the building. All without sacrificing performance. Welcome to the era of C/S Bold Line. You'll never look at louvers the same way again.

Colors:

Each C/S louver blade is finished separately, then assembled using our exclusive mechanical fastening method, which is much stronger than others' welded method. There is almost no limit to the color options designers have.



C/S Bold Line Storm Resistant Louvers

- Model B-7505 is available with mullions or architectural line
- Offer superior protection against water
- Offer design flexibility
- AMCA tested and certified

Conventional models on pages 4 & 5



Exposed Mullion Model B-7505



Free area: 4' x 4' – 45.8%, 8' x 8' – 49.0%
Pressure Drop: 0.16 @ 900FPM

Architectural Line Model B-7505A



Free Area: 4' x 4' – 45.8%, 8' x 8' – 49.0%
Pressure Drop: 0.16 @ 900FPM

Infinite Design Possibilities



Conventional Louvers



Bold Line Louvers
Simulation

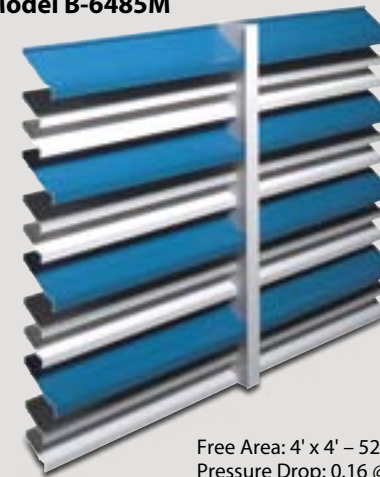


C/S Bold Line
Conventional Louvers

- Model B-6485 is available with mullions or architectural line
- Frameless option available
- High free area, low pressure drop (see at right)
- AMCA tested and certified

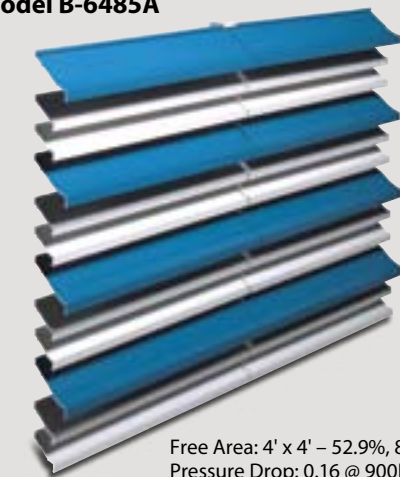


Exposed Mullion
Model B-6485M



Free Area: 4' x 4' – 52.9%, 8' x 8' – 56.8%
Pressure Drop: 0.16 @ 900FPM

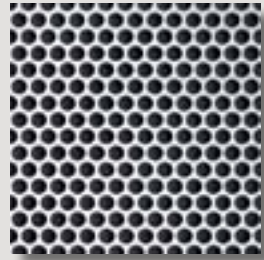
Architectural Line
Model B-6485A



Free Area: 4' x 4' – 52.9%, 8' x 8' – 56.8%
Pressure Drop: 0.16 @ 900FPM

We made our legendary Louver performance disappear...

Introducing C/S Perform Louvers



Facade options

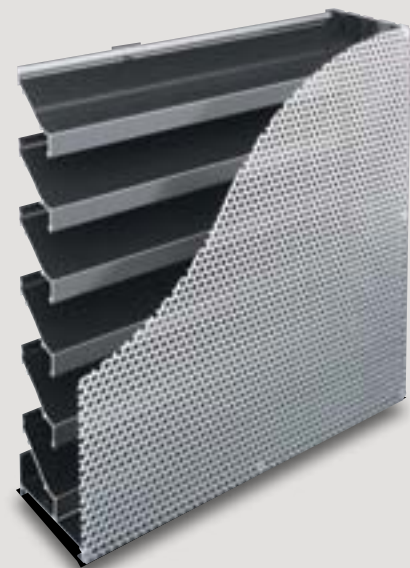
The Perform custom perforated aluminum skin is engineered to work in harmony with the interior rain fins to provide uncompromised air and water performance.

New C/S Perform provides all the air movement, security and sight screening of our standard Louvers, but with our exclusive perforated facade that gives it a totally fresh modern appearance. We even have a model that provides 100% rain defense. So why settle for the same old look? Specify New C/S Perform.



Storm Resistant Model PL-5700

Free Area: 44.5% for a 4' x 4' unit
Static Pressure Drop: 0.13 @ 900 FPM



Conventional Model PL-4080

Free Area: 46.8% for a 4' x 4' unit
Static Pressure Drop: 0.16 @ 900 FPM



Air and Water Tested

Perform Louvers have been completely tested for air performance and water penetration. For complete data, see www.c-sgroup.com.

Perform Sizes and Joints

Perform fascia comes in 4' x 8' modules. The butt joint option, shown at right, will provide a continuous look that can cover an entire facade. Our reveal option, shown above, provides a dramatic accent and blends well with any exterior wall system.



C/S Perform is tested in accordance with BSRIA test standards.

The design professional and/or buyer should use care selecting models in applications which may be prone to occlusions of open areas from debris, snow, ice or any other potential obstructions.

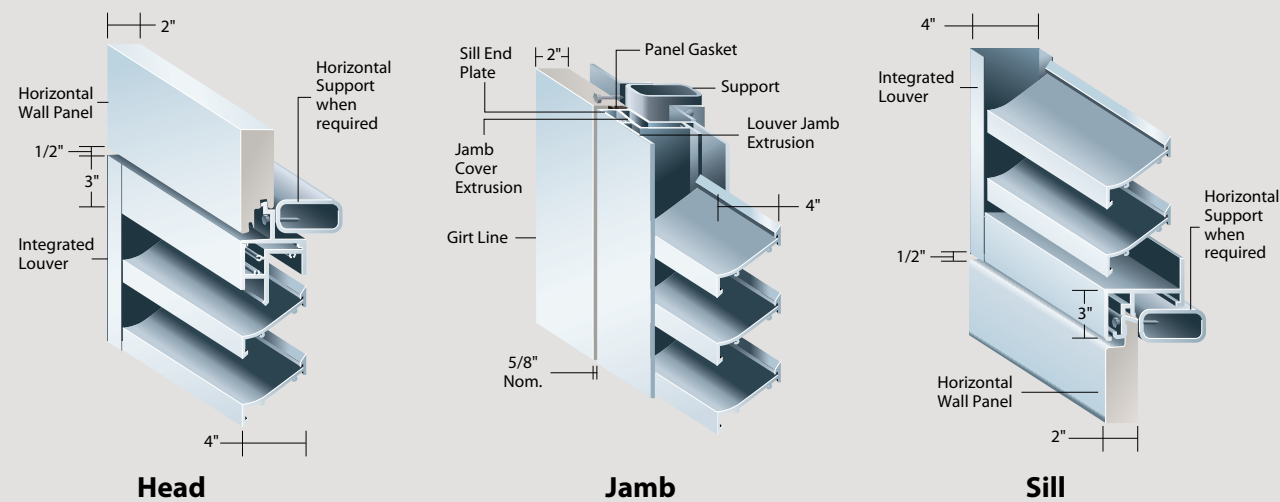
C/S Louvers for use with CENTRIA Formawall® Dimension Series® Panel Systems

CENTRIA and Construction Specialties have formed a unique partnership to share the design, manufacturing and innovation that has made each company a leader in its respective field. **This collaboration assures complete integration of C/S Louvers and Sunshades into CENTRIA's Formawall® Dimension Series Panels** and CENTRIA's Formavue™ Windows.

C/S Integrated Louvers are available in 4", 5", 6" and 7" depths. Fixed, drainable and storm resistant models **with Class A ratings** can be specified. C/S louver models include **common joinery elements** with Formawall panels to provide a seamless exterior facade. All C/S Louvers have been **tested to meet or exceed both AMCA and BSRIA test standards** and can be finished in any of CENTRIA's Colorstorm colors.

System Features:

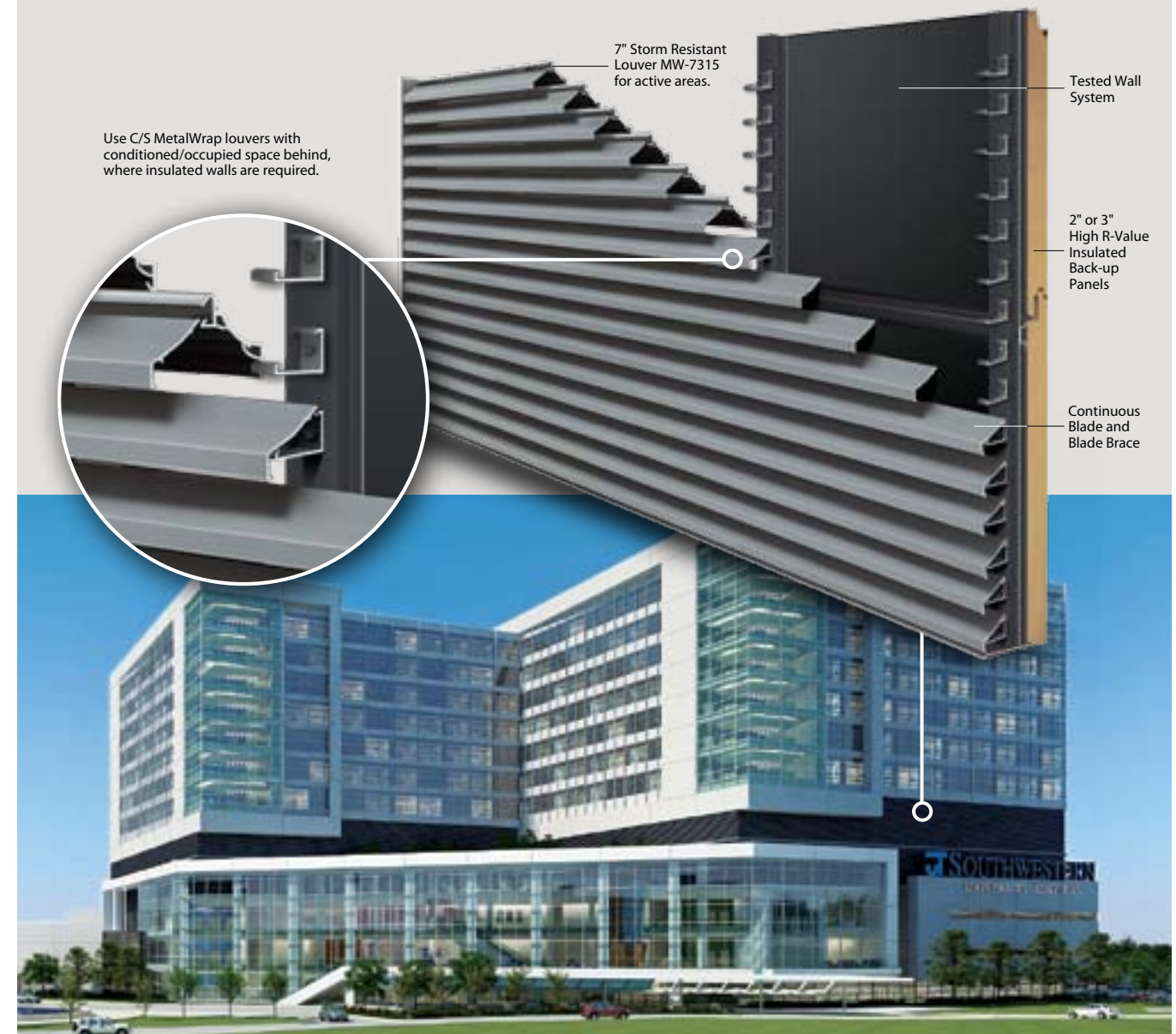
- Proven performance from Construction Specialties, a world leader and innovator in air movement technology
- Full line of fixed, drainable and storm resistant louvers, 4"-7"
- For both horizontal and vertical panel applications
- Fully integrated with Formawall Dimension Series joinery, sealing systems and sight lines
- Simplified installation and framing requirements



C/S MetalWrap Louvers for use with CENTRIA Wall Systems

The new integrated C/S MW-7315 is designed to have a continuous appearance in elevations that have both active and inactive louver requirements. Unlike typical blank-offs, the C/S MW-7315 features a tested, high R-value insulated wall system behind it for occupied areas.

C/S MetalWrap Louvers feature highly effective, continuous 7" C/S Storm Resistant Louvers to prevent water from entering the building. Blades are shipped KD in lengths up to 20'. The thermally broken wall system used in occupied areas acts as a water, vapor and air barrier.



Architects no longer have to specify dangerous liquid fluoropolymers...

New C/S 20-year powder coat finish is non-toxic, VOC-free and more durable than liquid fluoropolymers!



US Environmental Protection agency rates C/S powder coat finish as non-toxic.

No VOCs are released in the plant, and there is no hazardous waste produced—in fact there is virtually no waste. Converting from liquid fluoropolymer finishes has eliminated over 60 tons of solvent waste being generated by our plants per year.

For decades the standard architectural metal finish has been liquid fluoropolymers. They are color fast and pretty durable—but they are labor intensive to apply, use a lot of energy and produce VOCs and lots of hazardous waste. Now architects have an environmentally friendly alternative! C/S 20-year powder coat finish is just as fade-resistant, and even more durable than liquid fluoropolymer. And it's totally non-toxic, produces virtually no waste and has no VOCs. C/S powder coat is the right choice for your project—and the environment!

Liquid fluoropolymer finishes are solvent based and produce hazardous waste.

Only 40% of these finishes are the resin, the rest are solvents. These finishes are usually applied in three coats and produce a lot of waste—all of which ends up in landfills.



State-of-the-art powder coat finishing

C/S is heavily invested in powder coat finishing technology. Our plants utilize the most advanced finishing equipment to ensure a perfect finish on all C/S Louvers.



Which finish do you want on your building?



The most fade-resistant finish available

Not only is our finish harder than liquid fluoropolymer and polyester powder finishes—it's just as fade-resistant as liquid fluoropolymer and many times more color fast than polyester powder finishes. Make sure you specify: "must meet AAMA-2605" to make sure you get the proper finish.



C/S 20-year powder coat contains 100% non-toxic fluoropolymer resin.

Conventional liquid fluoropolymer finish contains 50-70% fluoropolymer resin and 60% hazardous solvents.

Our powder coat finishes are warranted for 20 years.

That's against flaking, chipping, peeling—AND fading. To get this exclusive finish, make sure to specify: "must meet AAMA 2605" so you don't wind up with a substitution that won't hold up.

And they cost no more than liquid fluoropolymers!



C/S powder coat

Liquid Fluoropolymer



The pencil test proves C/S 20-year powder coat finish is the most durable.

The pencil scratch test is the industry standard for hardness and scratch resistance. Our C/S powder coat achieved a hardness rating of 4H. Liquid fluoropolymer rated H.

Isn't powder coat what's chipping off my patio furniture?

The powder coat used on residential applications is not the same as our 20-year powder coat finish. Those are usually polyester based finishes applied over poorly prepared metal. Our finish is not only more durable than those residential grade finishes, it's even harder and more scratch resistant than conventional liquid fluoropolymer finishes.



Color? How about anything you want!

C/S has a broad range of standard, pre-formulated colors, but if your project requires a special color, no problem. We can match it.



Follow the steps below to ensure you get the right powder coat finish.

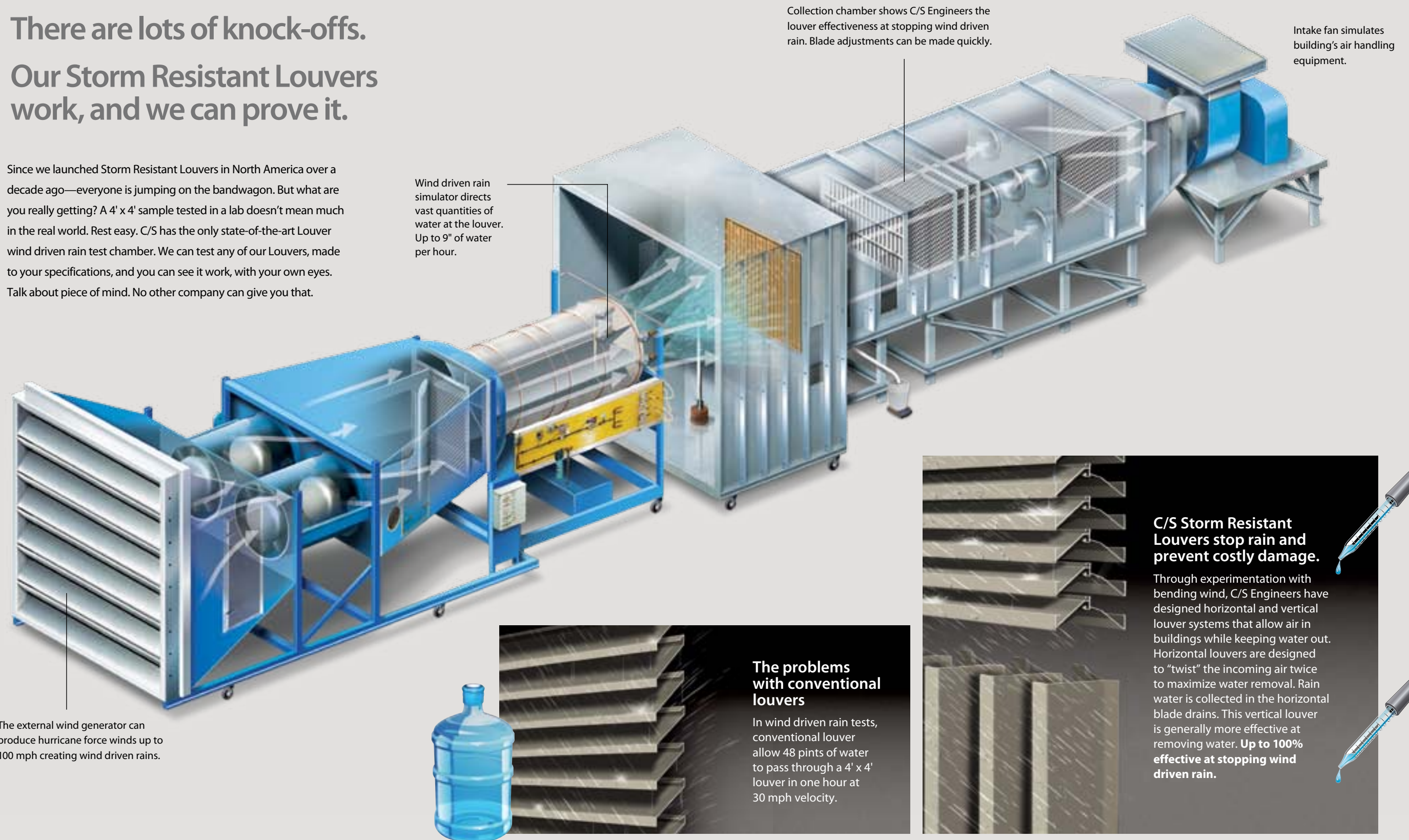
Cheaper polyester powder finishes will be warranted against chipping and flaking but not against fading. In order to get a powder coat finish that performs better than even liquid fluoropolymer finishes, specify...

- 20-year warranty for color integrity in accordance with AAMA-2605
- Zero VOCs released at the manufacturing facility or at the job site
- Polyester powder finishes are not acceptable
- Solvent based fluoropolymer finishes will not be accepted
- 100% fluoropolymer powder

Get the exceptional performance you want without paying more!

There are lots of knock-offs. Our Storm Resistant Louvers work, and we can prove it.

Since we launched Storm Resistant Louvers in North America over a decade ago—everyone is jumping on the bandwagon. But what are you really getting? A 4' x 4' sample tested in a lab doesn't mean much in the real world. Rest easy. C/S has the only state-of-the-art Louver wind driven rain test chamber. We can test any of our Louvers, made to your specifications, and you can see it work, with your own eyes. Talk about piece of mind. No other company can give you that.



Collection chamber shows C/S Engineers the louver effectiveness at stopping wind driven rain. Blade adjustments can be made quickly.

Intake fan simulates building's air handling equipment.

Wind driven rain simulator directs vast quantities of water at the louver. Up to 9" of water per hour.

The external wind generator can produce hurricane force winds up to 100 mph creating wind driven rains.

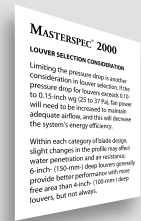
The problems with conventional louvers

In wind driven rain tests, conventional louver allow 48 pints of water to pass through a 4' x 4' louver in one hour at 30 mph velocity.

C/S Storm Resistant Louvers stop rain and prevent costly damage.

Through experimentation with bending wind, C/S Engineers have designed horizontal and vertical louver systems that allow air in buildings while keeping water out. Horizontal louvers are designed to "twist" the incoming air twice to maximize water removal. Rain water is collected in the horizontal blade drains. This vertical louver is generally more effective at removing water. **Up to 100% effective at stopping wind driven rain.**

Specifying louvers on free area alone can cause serious problems.

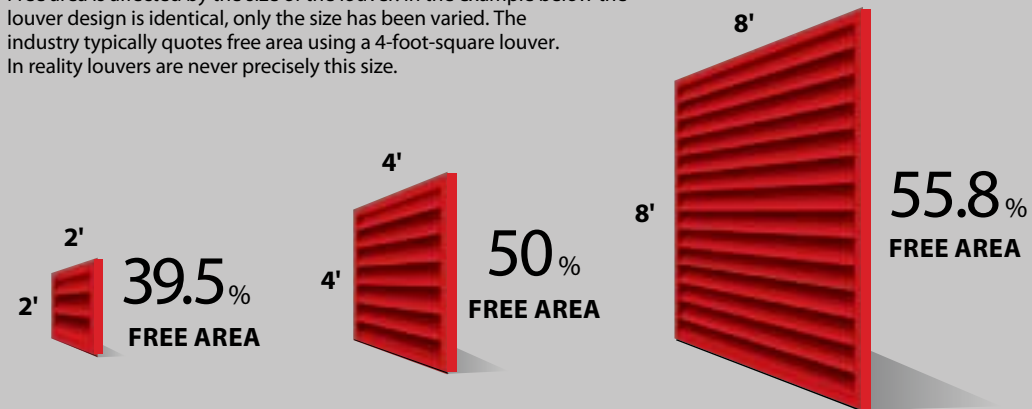


To prevent airflow problems specify louvers using both static pressure drop and free area.

The principle reason for using louvers is to move air. How do you know if the louver you specify will actually deliver the air volume the engineer called for? History has shown that sizing and specifying louvers based on free area alone can cause problems for architects and owners alike. The illustrations on these pages explain what to do to prevent under or over sizing louvers.

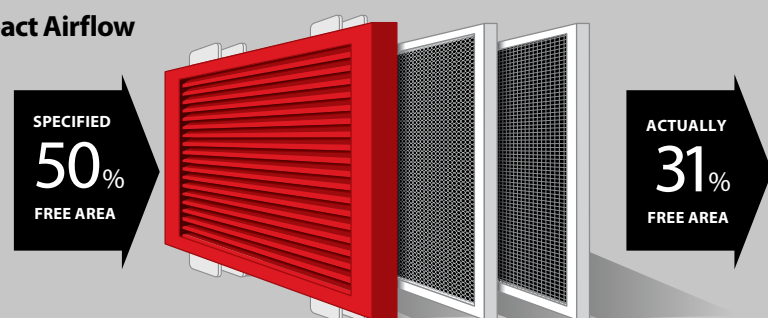
When You Specify a 50% Free Area Louver, What Are You Really Getting?

Free area is affected by the size of the louver. In the example below the louver design is identical, only the size has been varied. The industry typically quotes free area using a 4-foot-square louver. In reality louvers are never precisely this size.



Other Factors Also Impact Airflow

Louver frames add resistance to airflow. Mullions, structural supports, bird screens and insect screens also reduce airflow.



Get The Right Louver Every Time With The New C/S Online Airflow Tool.



The C/S airflow tool @ www.c-sgroup.com takes the guesswork out of louver selection. Get the correct louver, free area and pressure drop every time.

-
-
-

Choose the louver model and input the louver's width, height and wind load criteria.

The calculations will appear, revealing the louver's free area and pressure drop.

For complete information on the louver that meets your criteria, click on Details, Specs and Photos.

Construction Specialties, Inc. certifies that louver models shown herein are licensed to bear the AMCA seal. The ratings shown are based on tests and procedures performed in accordance with AMCA publication 511 and comply with requirements of the AMCA certified ratings program. The AMCA certified rating seal applies to air performance ratings and water penetration ratings.

AMCA Certified Models

- A4097
- A6097
- A6155
- DC-5304
- DC-6174
- DCV-5704
- DCH-5704
- GS-407
- GS-410
- GS-607
- GS-610
- RS-7705
- RSH-5700
- RSV-5700
- RS-2300
- RS-4605
- RS-5300
- RS-5605
- RS-7305
- RS-8400
- RS-8615
- RS-9615
- A4080
- A4085
- A4100-A4120
- A4105-A4125
- A4110-A4130
- A4115-A4135
- B6485
- B7505

C/S Louvers Projects

Get the performance you need and the look you want with C/S Louvers.



① North Shore Long Island Jewish Medical Center, New Hyde Park, NY
Architect: SOM

② Salvador Dali Museum St. Petersburg, FL
Architect: HOK

③ Memorial Hospital, Colorado Springs, CO
Architect: Jonathan Bailey Associates

④ Princeton University – Frick Chemistry Lab, Princeton, NJ
Architect: Fayette Associates

⑤ The Constitution Center, Washington, DC
Architect: SmithGroupJJR

⑥ Children's Hospital and Medical Center, Omaha, NE
Architect: HDR

Louvers Selection Chart

How to use this selection chart

Aesthetics:

Decide what you want the louvers to look like on your building. Horizontal or vertical blades? Uninterrupted louver line or vertical breaks? A 2" louver blade providing no shadow lines or a 6" louver with heavy shadow lines?

Rain Defense:

Does it matter if rain enters your building? Would rain entry cause water sensitive equipment to shut down, thereby preventing the building from functioning? Select a Storm Resistant or Hurricane Louver when stopping rain entry is important.

Air Flow:

Free area can be very misleading when determining airflow – see pages 16 & 17 and go to our website for project specific information.

Louver Type	Models			Aesthetics							Rain Defense		Airflow	
	Louver Model	Description	AMCA Certified	Blade Orientation	Exposed Mullions	Continuous Line		Approx. Blade Spacing (in.)	Blade Angle (in degrees)	Louver Depth (in.)	Wind Driven Rain Resistance Low	High	Free Area 4' x 4'	8' x 8'
Storm Resistant Pages 24 & 25	RS-8615	LOCATION SMART™	Yes	Horiz	No	Yes		4"	45°	8"	■ ■ ■ ■ ■ ■ ■ ■		53.3%	56.6%
	RS-4605	VERTICAL	Yes	Vert	No	Yes		2"	N/A	4"	■ ■ ■ ■ ■ ■ ■ ■		53.3%	56.6%
	RS-9615	LOCATION SMART™	Yes	Horiz	No	Yes		4"	45°	9"	■ ■ ■ ■ ■ ■ ■ ■		59.1%	62.9%
	RS-5605	VERTICAL	Yes	Vert	No	Yes		1"	N/A	5"	■ ■ ■ ■ ■ ■ ■ ■		59.1%	62.9%
	RS-4300	CHEVRON	N/A	Horiz	Yes	No		2-1/8"	N/A	4"	■ ■ ■ ■		46.9%	50.1%
	RS-7705	CHEVRON	Yes	Horiz	No	Yes		3-1/8"	N/A	7"	■ ■ ■ ■ ■		50.5%	52.8%
	RS-5300	CHEVRON	Yes	Horiz	Yes	No		2-3/4"	N/A	5"	■ ■ ■ ■ ■		47.3%	51.5%
	RS-2300	INVERTED CHEVRON	Yes	Horiz	Yes	No		1-1/2"	N/A	2"	■ ■ ■ ■		41.9%	44.0%
	RSH-5700	CHEVRON SIGHTPROOF	Yes	Horiz	Yes	No		2"	N/A	5"	■ ■ ■ ■ ■ ■ ■		45.8%	49.0%
RSV-5700	CHEVRON SIGHTPROOF	Yes	Vert	Yes	No		2"	N/A	5"	■ ■ ■ ■ ■ ■ ■		45.8%	44.0%	
Conventional Pages 26 & 27	A4080/A6080	30° STD. "Z" BLADE	Yes	Horiz	Yes	No		4" / 6"	30°	4" / 6"	■ ■		54.0% / 56.1%	58.0% / 60.0%
	A4100/A6100	STD. "Z" BLADE	Yes	Horiz	Yes	No		6" / 6-13/16"	45°	4" / 6"	■ ■		46.0% / 48.0%	50.0% / 52.0%
	A4110/A6110	STEP BLADE	Yes	Horiz	Yes	No		6" / 6-13/16"	45°	4" / 6"	■ ■		46.0% / 48.0%	50.0% / 52.0%
	A4115/A6115	CONTINUOUS STEP BLADE	Yes	Horiz	No	Yes		6" / 6-13/16"	45°	4" / 6"	■ ■		46.0% / 48.0%	50.0% / 52.0%
	A4097	DRAINABLE	Yes	Horiz	Yes	No		4"	37°	4"	■ ■		50.4%	54.9%
	A4177	DRAINABLE	Yes	Horiz	Yes	No		3-1/4"	39°	4"	■ ■		56.1%	59.5%
	A6097	DRAINABLE	Yes	Horiz	Yes	No		6"	37°	6"	■ ■		52.1%	57.9%
	A6177	DRAINABLE	Yes	Horiz	Yes	No		5-3/4"	42°	6"	■ ■		57.6%	62.4%
	A6155	DOUBLE DRAINABLE	Yes	Horiz	No	Yes		5-5/8"	38°	6"	■ ■		48.8%	53.9%
	A2097	DRAINABLE	N/A	Horiz	Yes	No		1-7/8"	41°	2"	■		53.4%	55.9%
	2272	THINLINE PROFILES	N/A	Horiz	Yes	No		1-1/2"	30°	2"	■		55.2%	57.5%
2282	THINLINE PROFILES	N/A	Horiz	Yes	No		1-7/8"	N/A	2"	■		39.1%	41.1%	
1302G	THINLINE PROFILES	N/A	Horiz	Yes	No		3/4"	45°	1-3/8"	■		58.1%	59.3%	
0292	THINLINE PROFILES	N/A	Horiz	Yes	No		1-1/4"	26°	1"	■		62.4%	63.2%	
Hurricane Page 29	DCH-5704	CHEVRON SIGHTPROOF	Yes	Horiz	Yes	No		2"	N/A	5"	■ ■ ■ ■ ■ ■ ■ ■		45.8%	49.0%
	DCV-5704	CHEVRON SIGHTPROOF	Yes	Vert	Yes	No		2"	N/A	5"	■ ■ ■ ■ ■ ■ ■ ■		45.8%	49.0%
	DC-6174	DRAINABLE	Yes	Horiz	Yes	No		5-3/4"	37°	6"	■ ■		57.6%	62.0%
	DC-5304	STORM RESISTANT	Yes	Horiz	Yes	No		2-3/4"	N/A	5"	■ ■ ■ ■ ■ ■ ■		45.3%	51.0%
	DC-4174	DRAINABLE	Yes	Horiz	Yes	No		3-1/4"	39°	4"	■ ■		56.1%	59.5%
Operating Page 31	6917	DRAINABLE	N/A	Horiz	Yes	No		6-3/16"	43°	6"	■ ■ *		40.5%	47.3%
	6870	STD. "Z" BLADE	N/A	Horiz	Yes	No		5-5/8"	30°	6"	■ ■ *		53.2%	60.2%
	4830	STD. "Z" BLADE	N/A	Horiz	Yes	No		5-5/8"	40°	4"	■ ■ *		33.1%	35.6%
Acoustical Page 30	A12350	CHEVRON	N/A	Horiz	Yes	No		11-3/4"	N/A	12"	■ ■		23.3%	31.1%
	A12970	OPERATING	N/A	Horiz	Yes	No		12"	45°	12"	■ ■ *		22.0%	25.5%
	A12370	STD. "Z" BLADE	N/A	Horiz	Yes	No		12"	45°	12"	■ ■		22.0%	28.3%
	A8370	STD. "Z" BLADE	N/A	Horiz	Yes	No		8-1/2"	45°	8"	■ ■		23.0%	28.8%
	A6370	STD. "Z" BLADE	N/A	Horiz	Yes	No		10"	45°	6"	■ ■		21.6%	24.3%
	A8890	AIRFOIL	N/A	Horiz	Yes	No		6"	46°	8-3/4"	■ ■		28.5%	33.3%
Insulated See website	8990	OPERATING THERMAL BREAK	N/A	Horiz	Yes	No		8"	N/A	8"	■ ■ *		43.0%	51.0%
	9880	OPERATING AIRFOIL	N/A	Horiz	Yes	No		12-3/8"	N/A	9-1/2"	■ ■ *		55.3%	65.0%

Brick vents, door vents, and penthouses available. Visit www.c-sgroup.com or call 800-631-7379. For additional models please refer to the product pages following this selection chart.

*In closed position louver offers highest rain defense.



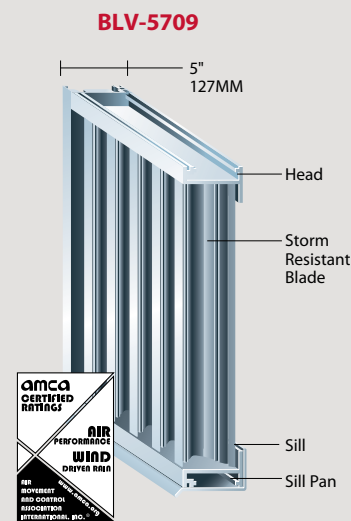
C/S Blast Resistant Louvers... capable of withstanding 8 PSI blast loads

Government buildings, VA hospitals, computer centers and power plants are particularly vulnerable to explosive threats. C/S has developed seven Blast resistant models designed to withstand blasts up to 8 PSI and capable of meeting the government requirement. This requirement states, "Louvers must remain in their frame and anchors adequately to resist the blast or a catch device... to prevent the louver from becoming a projectile."

C/S Blast Resistant Louver

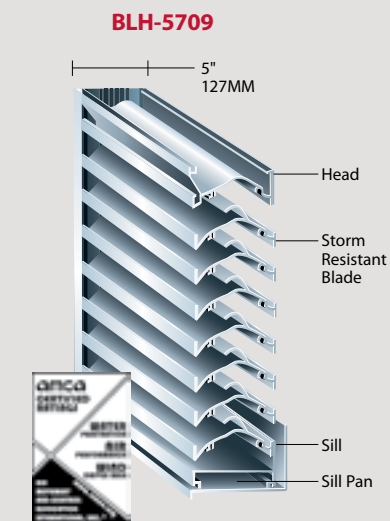


- Seven models all capable of blast loads up to 8 PSI
- Storm resistant models in vertical and horizontal header provide excellent protection from water infiltration
- High performance drainable louver offer high free area and low pressure drop
- Two conventional models meet blast requirements at highly affordable prices
- 20-year AAMA 2605 powder coat finish



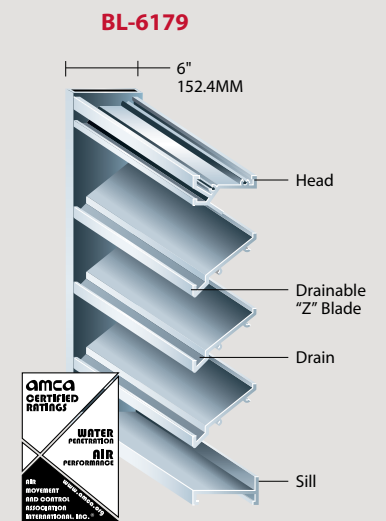
BLV-5709

- Capable of handling 8 PSI blast loads
- Maximum protection against wind driven rain
- Low pressure drop
- Dade County approved to 150 psf
- Unlimited width with heights up to 12'
- Special shapes
- AMCA Certified



BLH-5709

- Designed for max 8 PSI blast load
- Superior protection against wind driven rain
- Low pressure drop
- Dade County approved up to 150 psf
- Unlimited height with widths up to 12 feet
- AMCA Certified



BL-6179 & BL-4179

- Capable of withstanding 8 PSI blast loads
- High free area
- Low pressure drop
- Installs easily
- 20-year powder coat finishes
- Dade county approved to 170 psf
- AMCA Certified

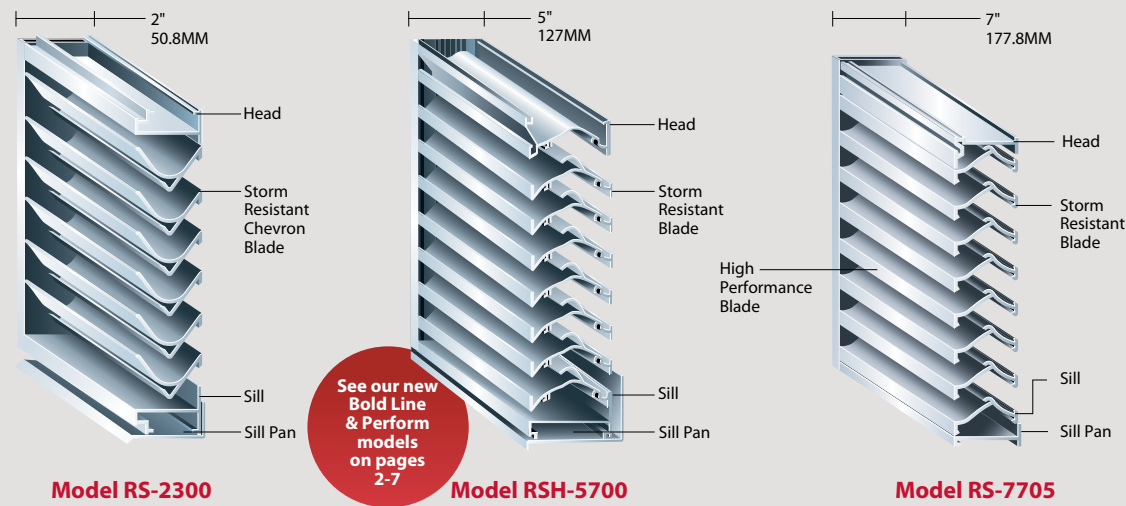
Storm Resistant

Choose Storm Resistant Louvers when:

- Keeping up to 100% of rain out of your building is a priority
- Wind driven rain is prevalent
- Using a plenum is impractical because of cost or space considerations
- Sensitive equipment will be housed close to the louver system



Shown:
Model RS-7705



Louver Model	Description	Configuration	Blade Spacing	Louver Depth	Rain Defense		Free Area		PD @ 900 FPM
					Low	High	4' X 4'	8' X 8'	
RS-5300	Chevron Sightproof	Mullion	2-3/4"	5"	■■■■■	■■■■■	47.3%	51.5%	0.32
RSH-5700	Chevron Sightproof	Mullion	2"	5"	■■■■■	■■■■■	45.8%	49.0%	0.13
RS-4300	Chevron Sightproof	Mullion	2-1/8"	4"	■■■■■	■■■■■	46.9%	50.1%	0.26
RS-2300	Inverted Chevron Sightproof	Mullion	1-1/2"	2"	■■■■■	■■■■■	41.9%	44.0%	0.51
RSV-5700	Vertical Chevron Sightproof	Mullion	2"	5"	■■■■■	■■■■■	45.8%	44.0%	0.13
RS-7705	Chevron Sightproof	Cont. Line	3-1/8"	7"	■■■■■	■■■■■	50.5%	52.8%	0.25

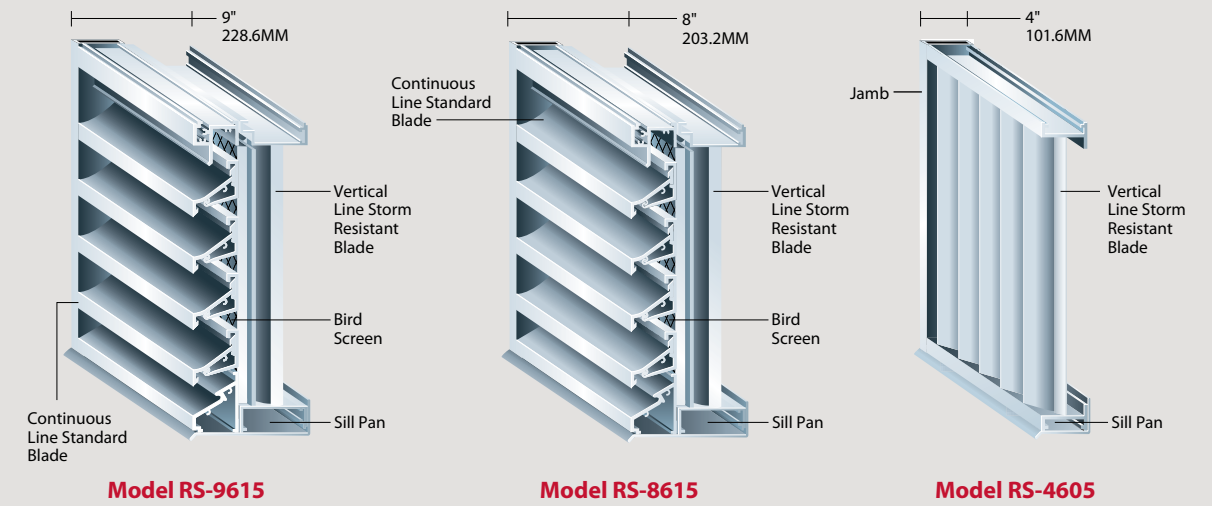
Storm Resistant

Choose Storm Resistant Louvers when:

- Keeping 100% of water out of your building is an absolute necessity
- If your building is subjected to wind driven rain up to 50 mph with 8" of water per hour
- Integrating the louver into the building design is a priority. Louvers can be housed behind architectural grilles, architectural detailing or continuous line louvers



Shown:
Model RS-8615



Louver Model	Description	Configuration	Blade Spacing	Louver Depth	Rain Defense		Free Area		PD @ 900 FPM
					Low	High	4' X 4'	8' X 8'	
RS-8615	Location Smart™	Cont. Line	4"	8"	■■■■■	■■■■■	53.3%	56.6%	0.37
RS-4605	Chevron	Vertical	2"	4"	■■■■■	■■■■■	53.3%	56.6%	0.25
RS-9615	Location Smart™	Cont. Line	4"	9"	■■■■■	■■■■■	59.1%	62.9%	0.30
RS-5605	Chevron	Vertical	1"	5"	■■■■■	■■■■■	59.1%	62.9%	0.08

Conventional

Choose Standard Louvers when:

- Occasional water penetration will not cause significant problems
- Economy is the primary consideration
- High free area is important
- A variety of blade and frame styles/options are important



Shown:
Model A6100

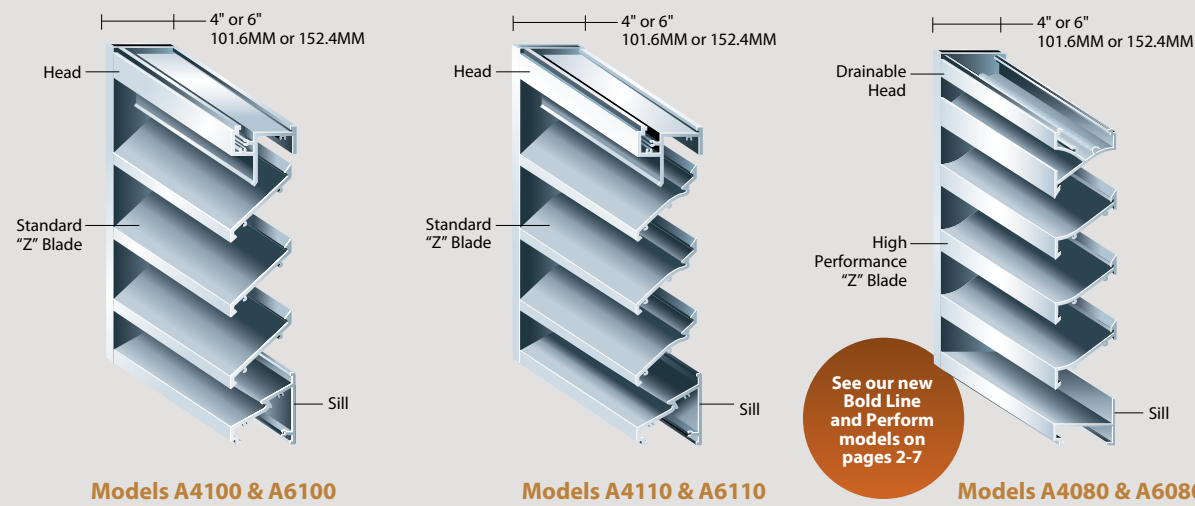
Conventional

Choose Drainable Louvers when:

- The periodic entry of water from non-wind driven rain is not a prime concern
- Some drainage of cascading water is necessary
- A variety of blade sizes, styles and frames are important



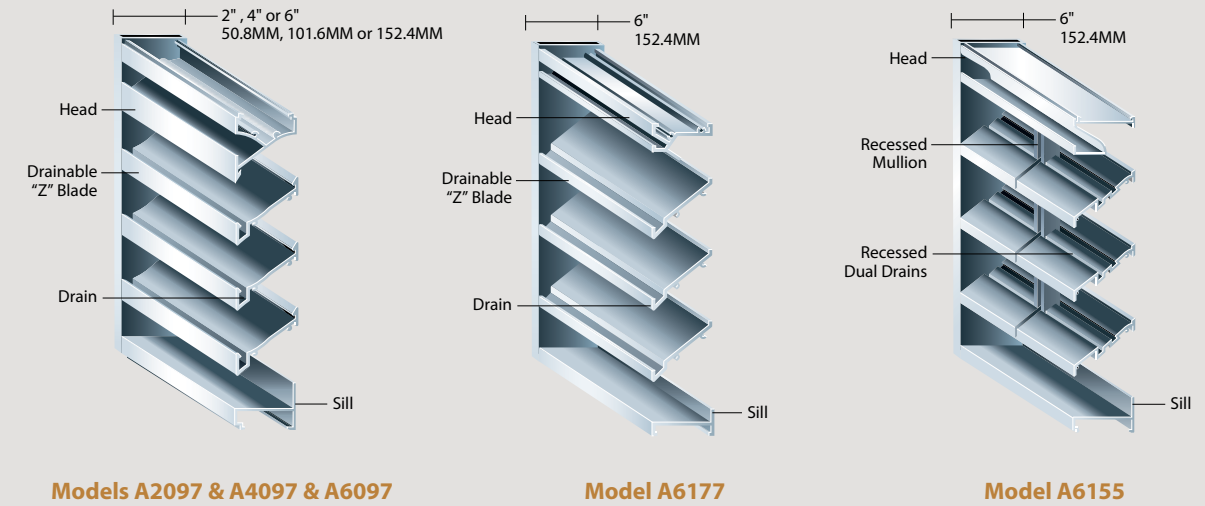
Shown:
Model A6097



Models A4100 & A6100

Models A4110 & A6110

Models A4080 & A6080



Models A2097 & A4097 & A6097

Model A6177

Model A6155

Louver Model	Description	Configuration	Blade Spacing	Louver Depth	Rain Defense		Free Area		PD @ 900 FPM
					Low	High	4' X 4'	8' X 8'	
A4080/A4085	30° Flat Blade	Mullion/Cont. Line	4"	4"	■	■	54.0%	58.0%	0.15
A4100/A4105	45° Flat Blade*	Mullion/Cont. Line	6"	4"	■	■	46.0%	50.0%	0.16
A4110/A4115	45° Step Blade*	Mullion/Cont. Line	6"	4"	■	■	46.0%	50.0%	0.17
4180	Chevron Sightproof	Mullion/Cont. Line	4-1/8"	4"	■	■	26.0%	35.0%	0.35
4190	Chevron Tamperproof	Mullion	3-3/4"	4"	■	■	32.0%	35.0%	0.50
A6080/A6085	30° Flat Blade	Mullion/Cont. Line	6"	6"	■	■	56.1%	60.0%	0.16
A6100/A6105	45° Flat Blade*	Mullion/Cont. Line	6-13/16"	6"	■	■	48.0%	52.0%	0.15
A6110/A6115	45° Step Blade	Mullion/Cont. Line	6-13/16"	6"	■	■	48.0%	52.0%	0.17
GS-410	45° Step Blade Steel	Mullion/Cont. Line	4-1/2"	4"	■	■	42.5%	47.0%	0.13
GS-610	45° Step Blade Steel	Mullion/Cont. Line	6-1/4"	6"	■	■	43.8%	51.0%	0.12

Louver Model	Description	Configuration	Blade Spacing	Louver Depth	Rain Defense		Free Area		PD @ 900 FPM
					Low	High	4' X 4'	8' X 8'	
A2097	Drainable	Mullion	1-7/8"	2"	■		53.4%	55.9%	0.13
A4097	Drainable	Mullion	4"	4"	■	■	50.4%	54.9%	0.15
A6097	Drainable	Mullion	6"	6"	■	■	52.1%	57.9%	0.13
A4177	Drainable	Mullion	3-1/4"	4"	■	■	56.1%	59.5%	0.13
5157	Chevron Drainable	Mullion	2-1/2"	5"	■	■	52.9%	56.1%	0.22
A6177	High Perf. Drainable	Mullion/Cont. Line	5-3/4"	6"	■	■	57.6%	55.9%	0.14
A6155	Double Drainable	Cont. Line	5-5/8"	6"	■	■	48.8%	53.9%	0.11
A6157	Double Drainable	Mullion	6"	6"	■	■	45.8%	48.9%	0.12
GS-407	Drainable Steel	Mullion	3-7/8"	4"	■	■	52.5%	57.6%	0.12
GS-607	Drainable Steel	Mullion	5-3/8"	6"	■	■	53.0%	59.7%	0.13

* 0.125 (3.18mm) thickness available.

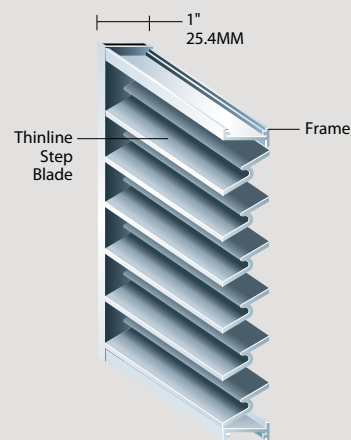
Thinline

Choose Thinline Louvers when:

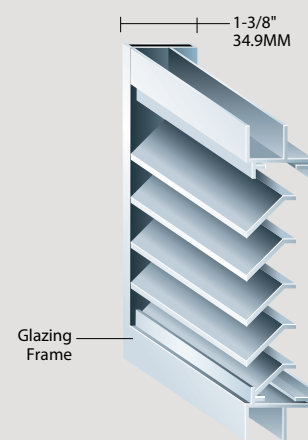
- Standard 4" or 6" deep louvers are not practical in applications such as storefronts, interior and exterior partitions and window walls
- High free area and low pressure drop requirements are a priority: specify air conditioning louvers
- Water is a problem: specify RS-2300
- Channel, flange or glazing frames are required



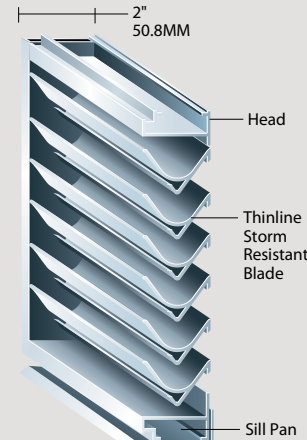
Shown:
Model 2252



Model 0292



Model 1302G



Model RS-2300

Louver Model	Description	Configuration	Blade Spacing	Louver Depth	Rain Defense		Free Area		PD @ 900 FPM
					Low	High	4' X 4'	8' X 8'	
0292	30° Step Blade	Cont. Line	1-1/4"	1"	■		62.4%	63.2%	0.095
1242	30° Step Blade	Cont. Line	1-1/8"	1-3/8"	■		46.1%	46.2%	0.07
2272	30° Step Blade	Cont. Line	1-1/2"	2"	■		55.2%	57.5%	0.095
2252	Step Blade	Cont. Line	3"	2-1/4"	■		35.4%	37.2%	0.13
1322	Flat Blade	Cont. Line	1-3/4"	1-3/8"	■		32.4%	32.5%	0.10
2322	Flat Blade	Cont. Line	2-1/2"	2"	■		39.3%	40.2%	0.13
1282	Chevron Sightproof	Cont. Line	1-3/8"	1-3/8"	■		39.3%	40.0%	0.50
2282	Chevron Sightproof	Cont. Line	1-7/8"	2"	■		39.1%	41.1%	0.64
1302G	Air Cond. PTAC Louver	Cont. Line	3/4"	1-3/8"	■		58.1%	59.3%	0.09
RS-2300	Storm Resistant	Cont. Line	1-1/2"	2"	■ ■ ■ ■		41.9%	44.0%	0.32

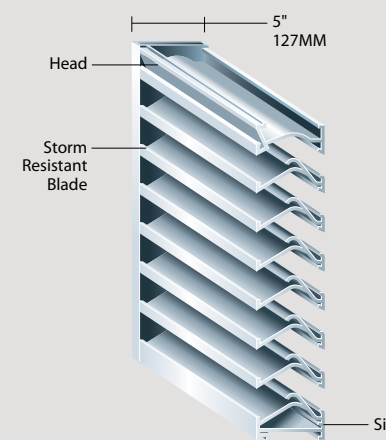
Hurricane

Choose Hurricane Louvers when:

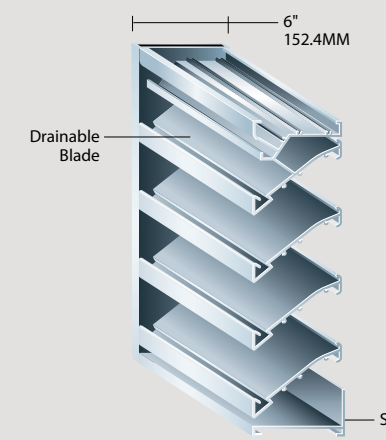
- Your building is subjected to severe weather from hurricanes, tropical storms and tornadoes
- Total envelope protection is required from hurricanes including: 120 PSF winds, missile protection and 100% water penetration
- All models below are Miami Dade County Impact Test approved



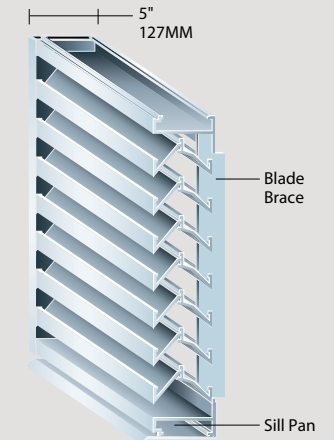
Shown:
Model DC-5304



Model DCV-5704



Model DC-6174



Model DC-5304

Louver Model	Description	Configuration	Blade Spacing	Louver Depth	Rain Defense		Free Area		PD @ 900 FPM
					Low	High	4' X 4'	8' X 8'	
DC-5304	Chevron Storm Resistant	Mullion	2-3/4"	5"	■ ■ ■ ■ ■		45.3%	51.0%	0.32
DC-7034	Louver Blade Front	Cont. Line	4"	11"	■ ■		40.6%	47.0%	0.20
DC-4174	Drainable	Mullion/Cont. Line	3-1/4"	4"	■ ■		56.1%	59.5%	0.13
DC-6174	Drainable	Mullion/Cont. Line	5-3/4"	6"	■ ■		57.6%	62.0%	0.14
DC-7044	Louver Blade Front	Cont. Line	4"	11"	■ ■		48.7%	55.1%	0.20
DC-7024	Louver Blade Front	Cont. Line with Rain Rejection Module	4"	11"	■ ■ ■ ■ ■ ■ ■ ■		36.0%	42.0%	0.25
DCV-5704	Chevron Sightproof	Mullion	2"	5"	■ ■ ■ ■ ■ ■ ■ ■		45.8%	49.0%	0.13
DCH-5704	Chevron Sightproof	Mullion	2"	5"	■ ■ ■ ■ ■ ■ ■ ■		45.8%	49.0%	0.13

* In closed position louver offers highest rain defense.

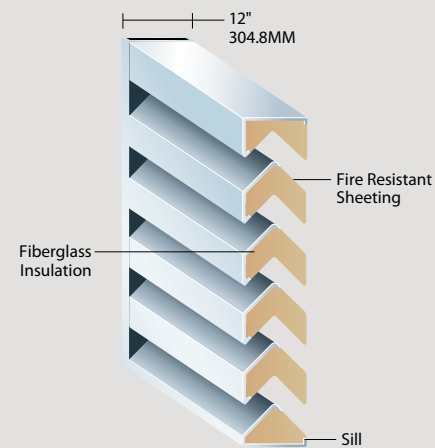
Acoustical

Choose Acoustical Louvers when:

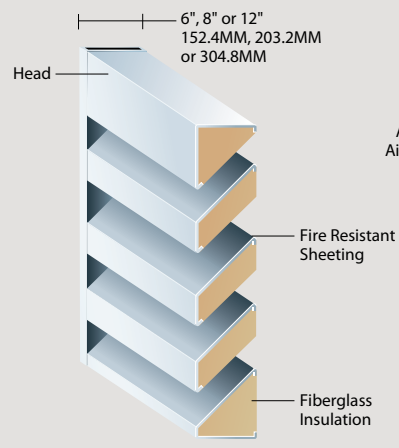
- Sound attenuation or minimizing noise is essential
- Reducing sound levels that escape from exterior or interior walls is necessary
- Maximum noise reduction is required: specify model A12350
- Maximum free area and reducing noise is important: specify models A8890 or A8860



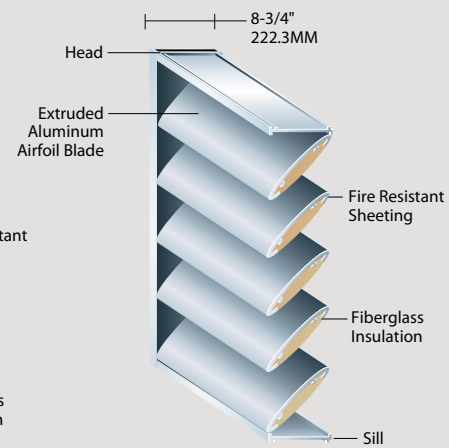
Shown:
Model A12350



Model A12350



Model A12370



Model A8890

Louver Model	Description	Configuration	Blade Spacing	Louver Depth	Rain Defense		Free Area		PD @ 900 FPM
					Low	High	4' X 4'	8' X 8'	
A6370	Flat Blade	Mullion	10"	6"	■	■	21.6%	24.3%	0.09
A8370	Flat Blade	Mullion	8-1/2"	8"	■	■	23.0%	28.8%	0.07
A12350	Chevron Sightproof	Mullion	11-3/4"	12"	■	■	23.3%	31.1%	0.17
A12360	Flat Blade	Mullion	15"	12"	■	■	24.3%	30.4%	0.09
A12370	Flat Blade	Mullion	12"	12"	■	■	22.0%	28.3%	0.07
A12970	Flat Blade Operating	Mullion	12"	12"	■	■	22.0%	25.5%	0.06
A8890	Airfoil Blade	Mullion	6"	8-3/4"	■	■	28.5%	33.3%	0.05
A8860	Operating Airfoil	Mullion	6"	9-1/2"	■	■	28.5%	33.3%	0.06

* In closed position louver offers highest rain defense.

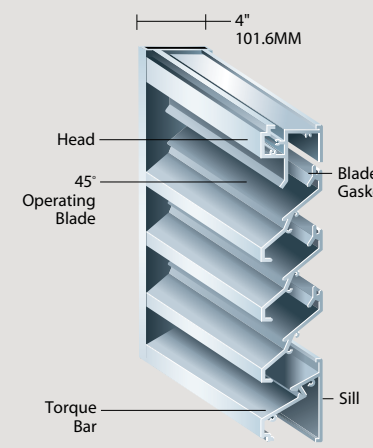
Operating

Choose Operating Louvers when:

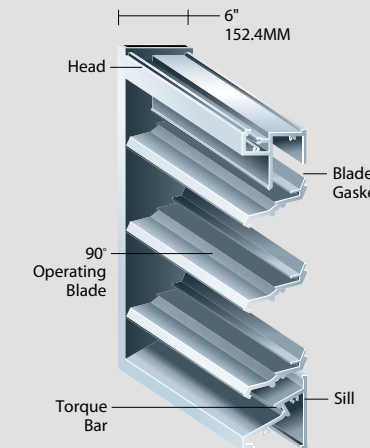
- Controlling the amount of airflow through the louver at any given time is a requirement
- Preventing rain, sleet or snow from entering the building is important (closed position only)
- Providing security from external intrusion is a priority
- The louver must close, but must have a fixed blade appearance: specify model 6917 or 6967



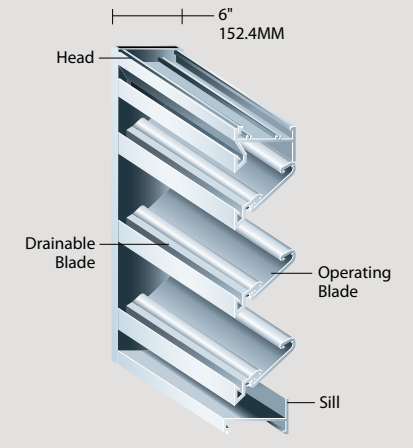
Shown:
Model 6917



Model 4830



Model 6870



Model 6917

Louver Model	Description	Configuration	Blade Spacing	Louver Depth	Rain Defense		Free Area		PD @ 900 FPM
					Low	High	4' X 4'	8' X 8'	
4830	45° Step Blade	Mullion	5-5/8"	4"	■	■	33.1%	35.6%	0.13
6870	90° Step Blade	Mullion	5-5/8"	6"	■	■	53.2%	60.2%	0.10
6917	Single Drainable	Mullion	6-3/16"	6"	■	■	40.5%	47.3%	0.18
6967	Double Drainable	Mullion	5-3/4"	6"	■	■	45.2%	48.4%	0.12

* In closed position louver offers highest rain defense.



Construction Specialties™

49 Meeker Avenue, Cranford, New Jersey 07016 U.S.A., 908-272-5200

895 Lakefront Promenade, Mississauga, Ontario L5E 2C2 Canada, 905-274-3611

📄 www.c-sgroup.com



The C/S Family of Products

For more than 60 years, Construction Specialties has been a leader in architectural specialty products, including: Acrovyn® Wall and Door Protection, Pedisystems® Entrance Flooring, Expansion Joint Covers, Cubicle Track and Curtains, Smoke and Explosion Venting Systems, Architectural Grilles, Architectural Louvers and Sun Controls.

We have operations throughout the world and can provide C/S Products virtually anywhere. For a complete list of our international locations, visit www.c-sgroup.com.



For the nearest C/S representative, or literature and samples, call toll free 800-631-7379 in U.S.A. and 888-895-8955 in Canada, or visit www.c-sgroup.com

©Copyright 2012 Construction Specialties, Inc.

Construction Specialties, Inc. reserves the right to make design changes or to withdraw any design without notice. Printed in U.S.A. Series 13

